

CGA6M1C0G3A182J200AC

TDK item description : CGA6M1C0G3A182JT***



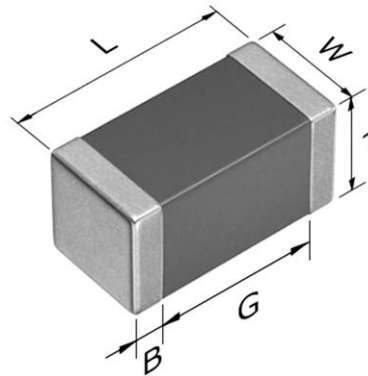
Equivalent C3225C0G3A182J for Automotive

Application & Main Feature

Automotive grade (General type)

Series

CGA6(3225) [EIA 1210]



Dimensions

L	3.20±0.40 mm
W	2.50±0.30 mm
T	2.00±0.20 mm
B	0.20 mm min.
G	---

Temperature Characteristic

C0G (-55 to +125 degC, 0±30ppm/°C)

Rated Voltage

3A (1000Vdc)

Capacitance

1.8nF

Capacitance Tolerance

J (±5%)

Q

1,000 min.

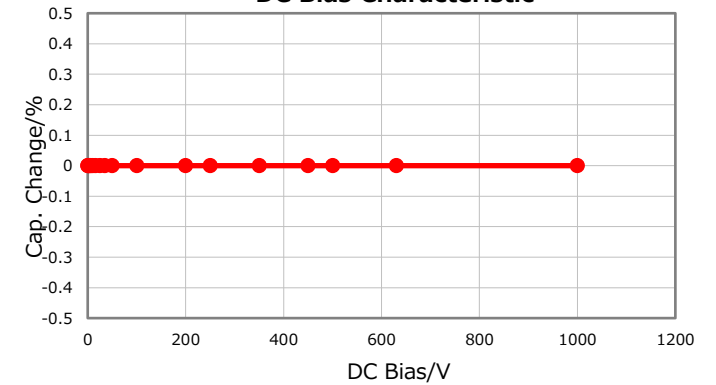
Insulation Resistance

10000 Mohm min.

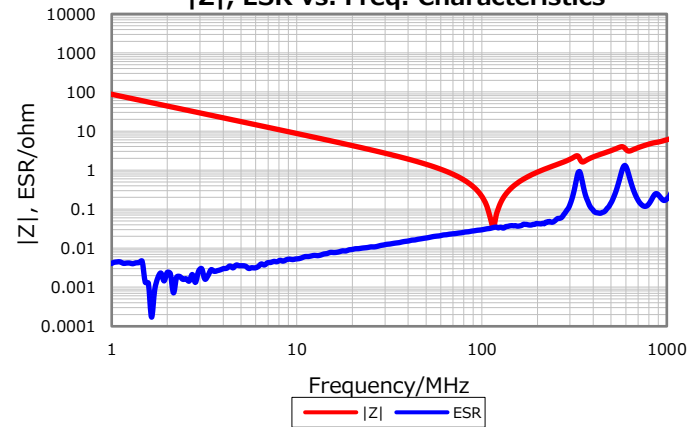
AEC-Q200

Yes

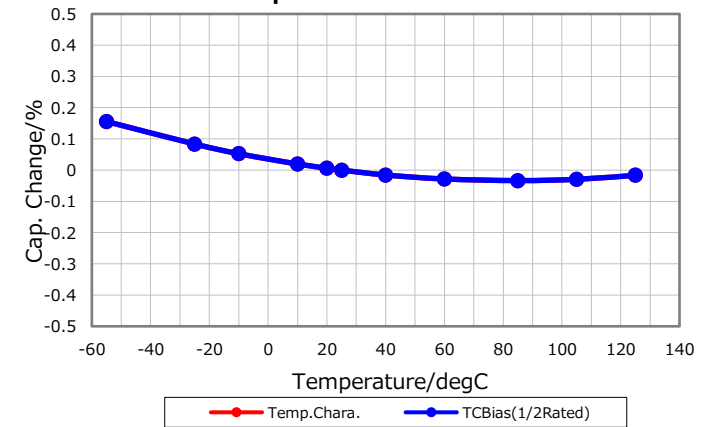
DC Bias Characteristic



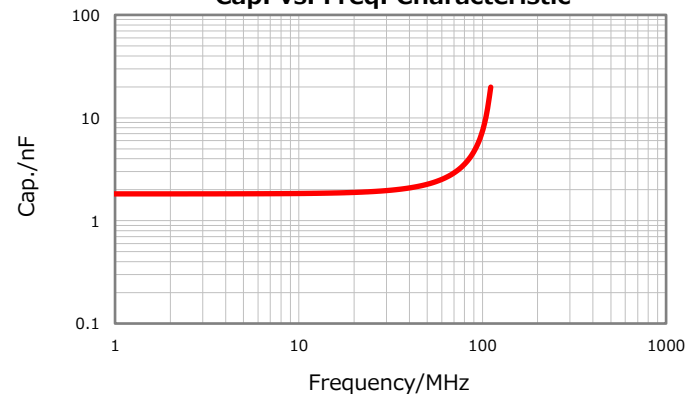
|Z|, ESR vs. Freq. Characteristics



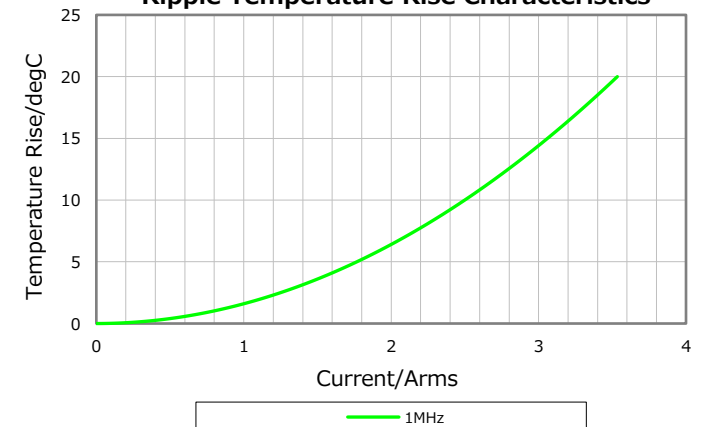
Temperature Characteristics



Cap. vs. Freq. Characteristic



Ripple Temperature Rise Characteristics



Characterization Sheet (Multilayer Ceramic Chip Capacitors)



All specifications are subject to change without notice.

April 7, 2023