

CGA6M4X7R2J683K200AE

TDK Item Description : CGA6M4X7R2J683KT***S



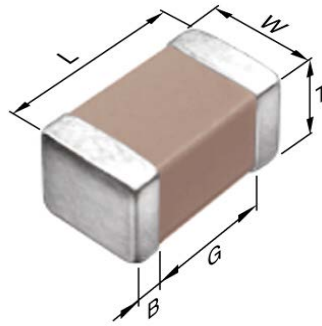
Equivalent C3225X7R2J683K for Automotive

Application & Main Feature

Automotive Grade (Soft Termination)

Series

CGA6(3225) [EIA CC1210]



Dimensions

| | |
|---|--------------------|
| L | 3.20mm +0.5,-0.4mm |
| W | 2.50mm +/-0.3mm |
| T | 2.00mm +0.3,-0.2mm |
| B | 0.20mm Min. |
| G | |

Temperature Characteristic

X7R (-55 to 125 degC +/-15%)

Rated Voltage

2J (630Vdc)

Capacitance

68nF

Capacitance Tolerance

K (+/-10%)

Dissipation Factor

3% Max.

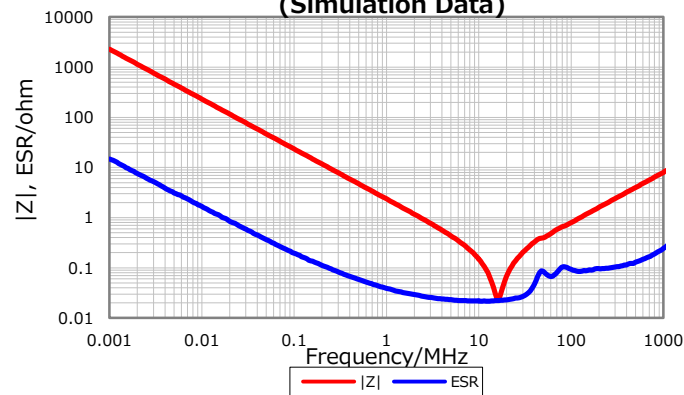
Insulation Resistance

7.352Gohm Min

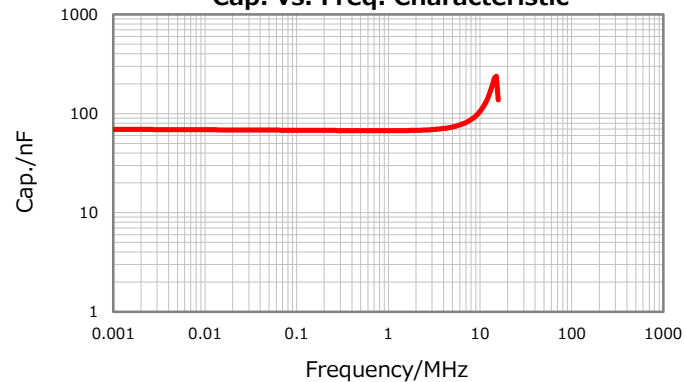
AEC-Q200

Yes

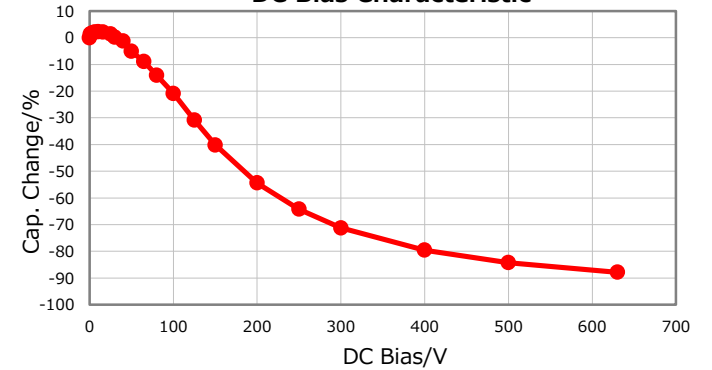
|Z|, ESR vs. Freq. Characteristics (Simulation Data)



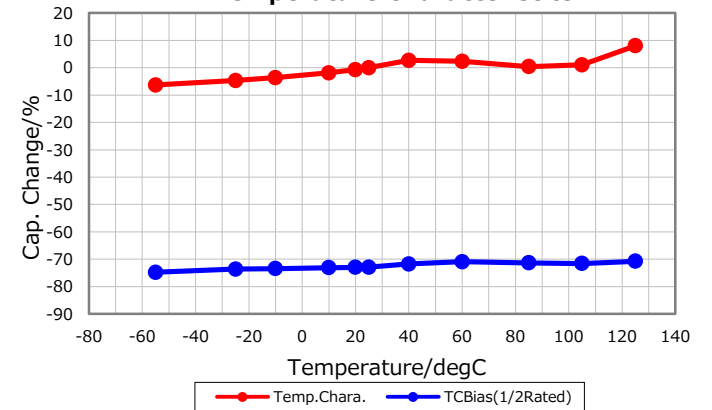
Cap. vs. Freq. Characteristic



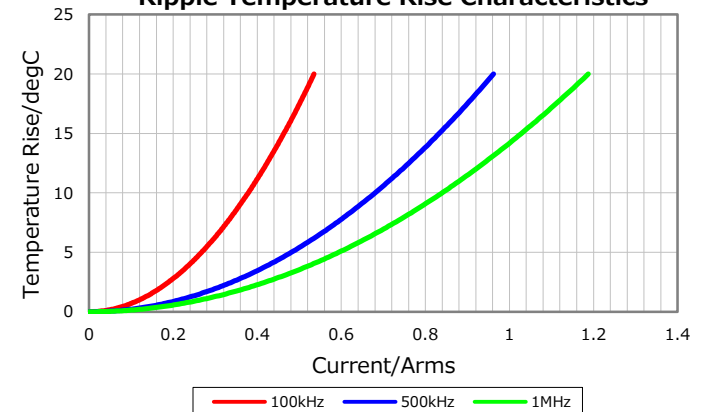
DC Bias Characteristic



Temperature Characteristics



Ripple Temperature Rise Characteristics



Characterization Sheet (Multilayer Ceramic Chip Capacitors)



All specifications are subject to change without notice.

March 17, 2017