

# CGA6P1X7S0J476M250AC

TDK item description : CGA6P1X7S0J476MT\*\*\*



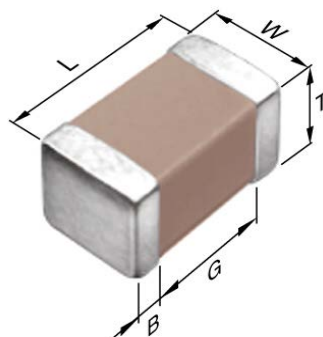
Equivalent C3225X7S0J476M for Automotive

## Application & Main Feature

Automotive grade (General type)

## Series

CGA6(3225) [EIA 1210]



## Dimensions

L 3.20+0.45/-0.40 mm  
 W 2.50+0.35/-0.30 mm  
 T 2.50+0.35/-0.30 mm  
 B 0.20 mm min.  
 G ---

## Temperature Characteristic

X7S (-55 to +125 degC, ±22%)

## Rated Voltage

0J (6.3Vdc)

## Capacitance

47µF

## Capacitance Tolerance

M (±20%)

## DF

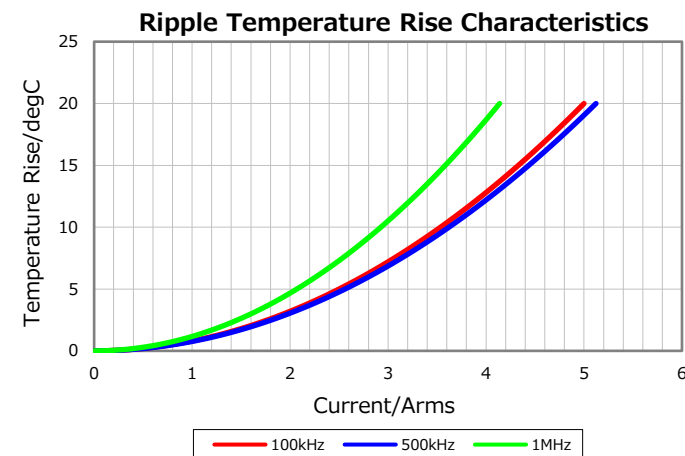
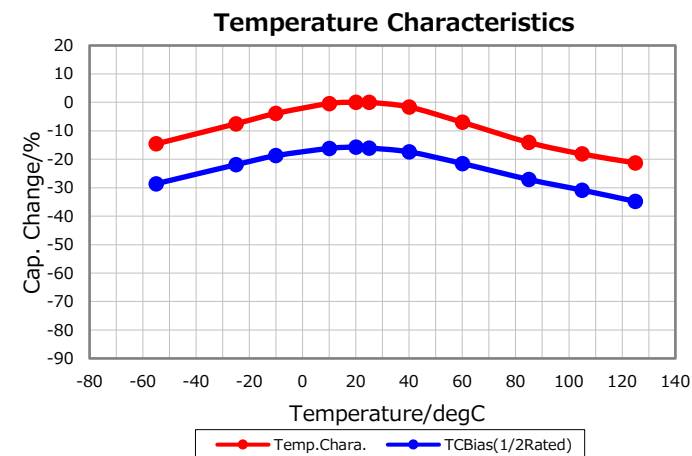
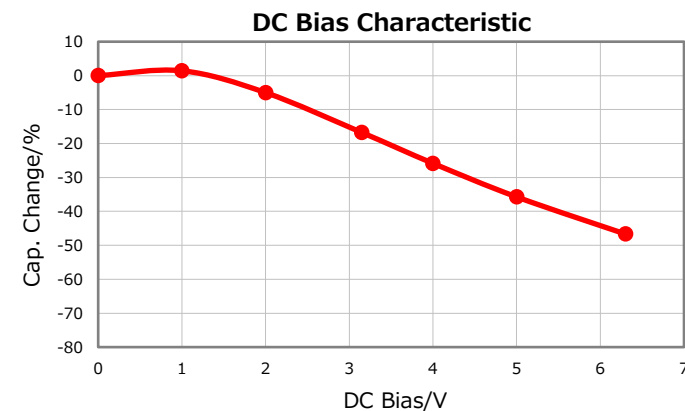
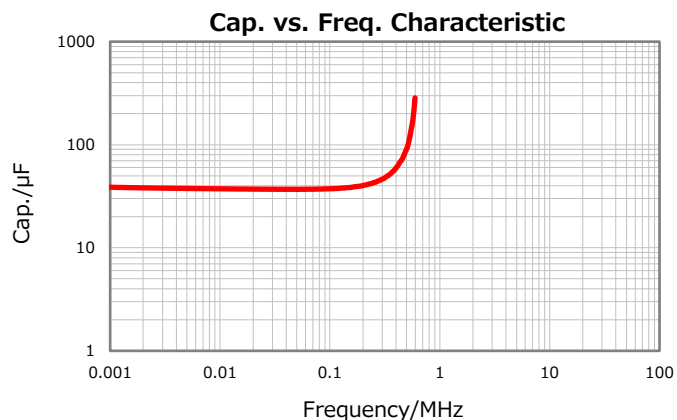
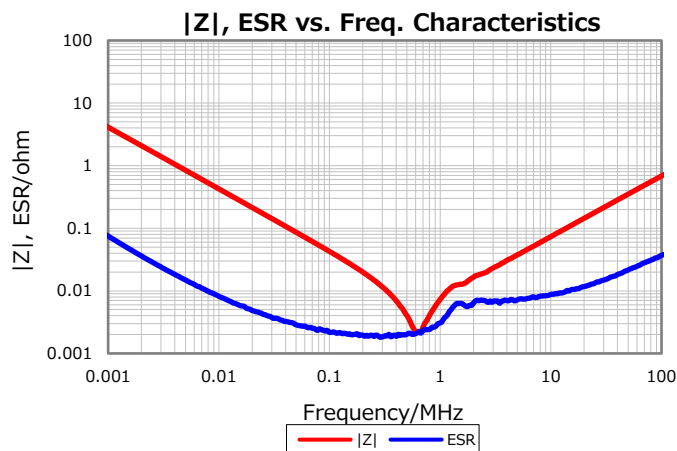
7.5 % max.

## Insulation Resistance

2 Mohm min.

## AEC-Q200

Yes



Characterization Sheet ( Multilayer Ceramic Chip Capacitors)



All specifications are subject to change without notice.

February 13, 2020