

CGA6P1X8L1H106K250AC

TDK item description : CGA6P1X8L1H106KT****



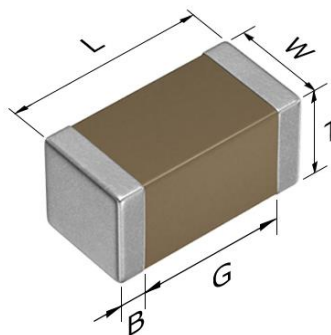
Equivalent C3225X8L1H106K for Automotive

Application & Main Feature

Automotive grade (General type)

Series

CGA6(3225) [EIA 1210]



Dimensions

L	3.20±0.40 mm
W	2.50±0.30 mm
T	2.50±0.30 mm
B	0.20 mm min.
G	---

Temperature Characteristic

X8L (-55 to +150 degC, +15/-40%)

Rated Voltage

1H (50Vdc)

Capacitance

10µF

Capacitance Tolerance

K (±10%)

DF

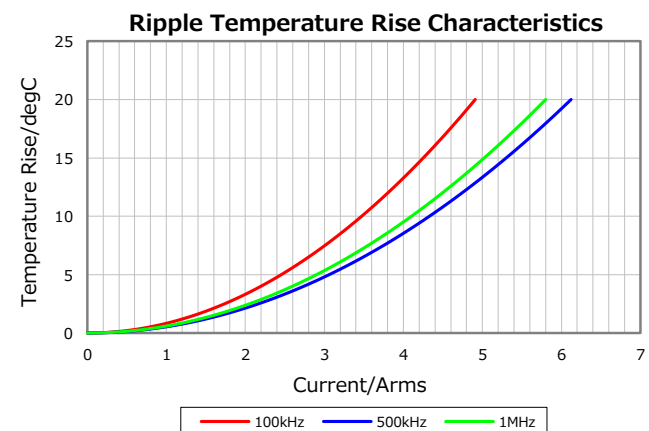
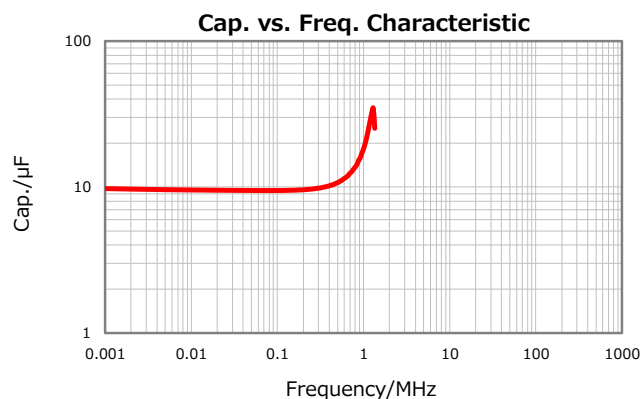
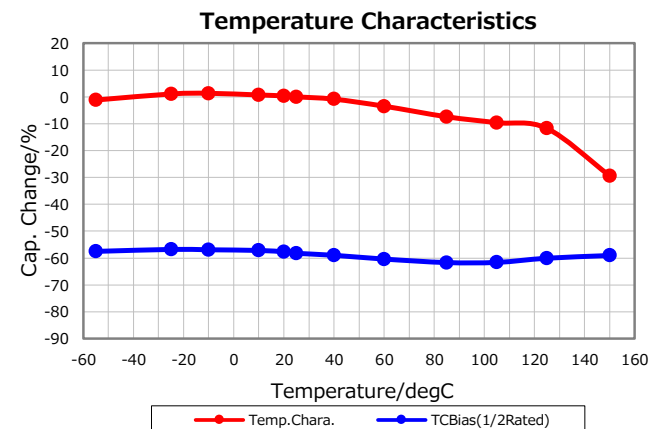
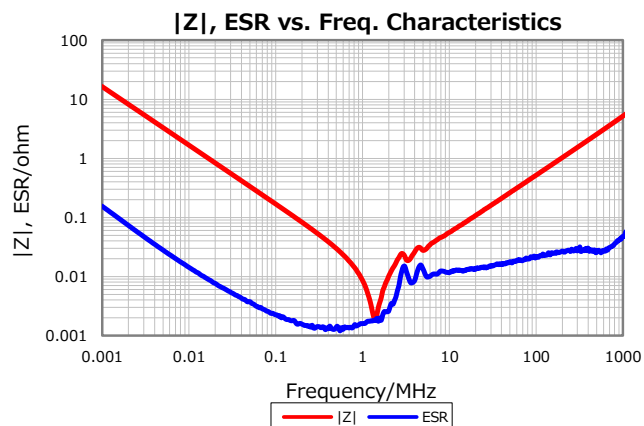
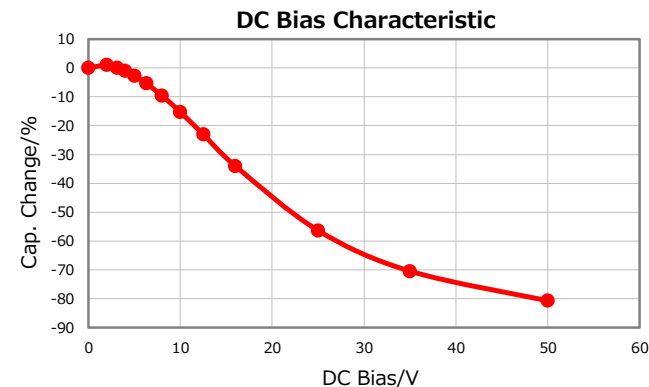
5 % max.

Insulation Resistance

50 Mohm min.

AEC-Q200

Yes



Characterization Sheet (Multilayer Ceramic Chip Capacitors)



All specifications are subject to change without notice.

July 17, 2022