

# CGA6P3X7R1H475M250AB

TDK item description : CGA6P3X7R1H475MT\*\*\*\*



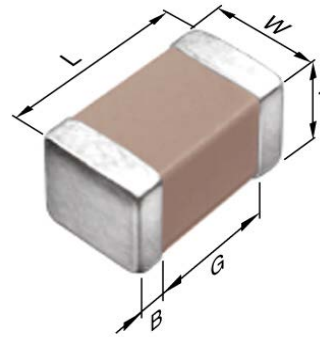
Equivalent C3225X7R1H475M for Automotive

## Application & Main Feature

Automotive grade (General type)

## Series

CGA6(3225) [EIA 1210]



## Dimensions

L 3.20±0.40 mm  
 W 2.50±0.30 mm  
 T 2.50±0.30 mm  
 B 0.20 mm min.  
 G ---

## Temperature Characteristic

X7R (-55 to +125 degC, ±15%)

## Rated Voltage

1H (50Vdc)

## Capacitance

4.7µF

## Capacitance Tolerance

M (±20%)

## Dissipation Factor

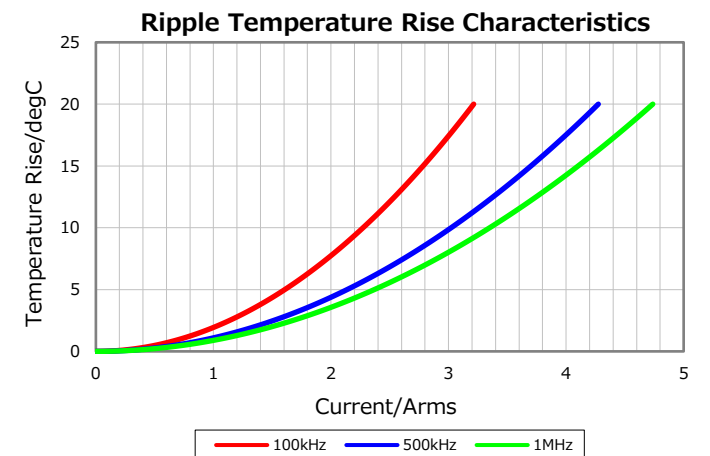
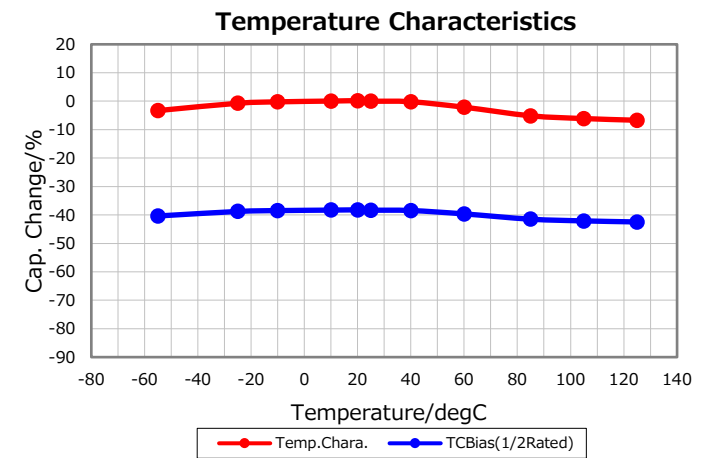
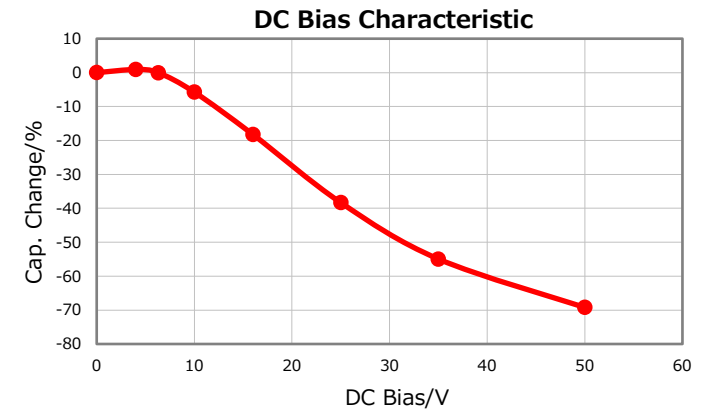
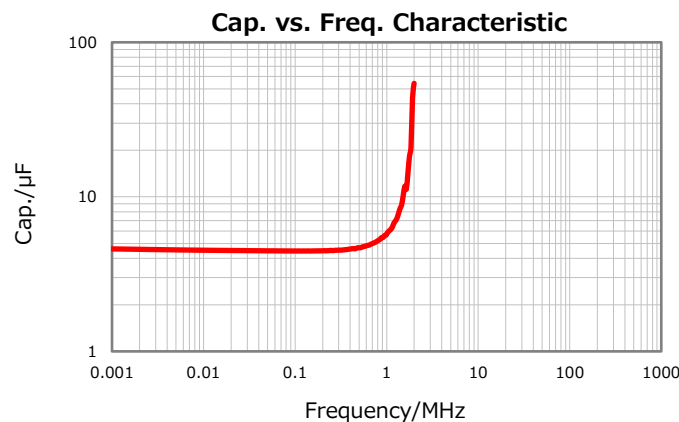
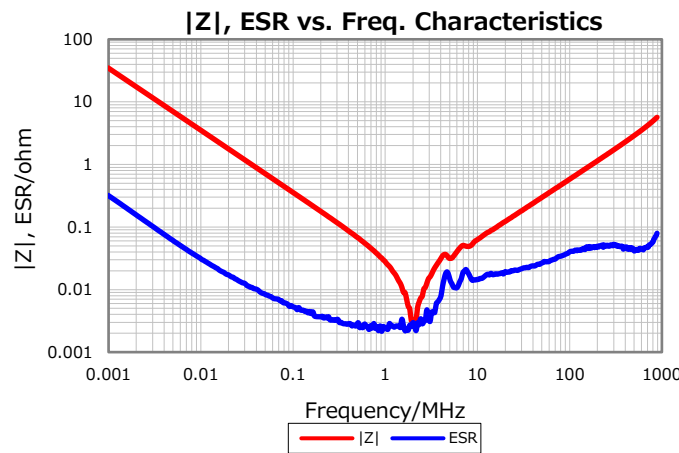
5 % max.

## Insulation Resistance

106 Mohm min.

## AEC-Q200

Yes



Characterization Sheet (Multilayer Ceramic Chip Capacitors)



All specifications are subject to change without notice.

January 25, 2020