

CGA6P3X8R1C106K250AB

TDK Item Description : CGA6P3X8R1C106KT****



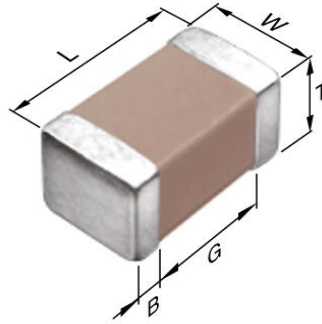
Equivalent C3225X8R1C106K for Automotive

Application & Main Feature

Automotive Grade (High Temperature Application)

Series

CGA6(3225) [EIA 1210]



Dimensions

L	3.20mm +/-0.4mm
W	2.50mm +/-0.3mm
T	2.50mm +/-0.3mm
B	0.20mm Min.
G	

Temperature Characteristic

X8R (-55 to 150 deg +/-15%)

Rated Voltage

1C (16Vdc)

Capacitance

10uF

Capacitance Tolerance

K (+/-10%)

Dissipation Factor

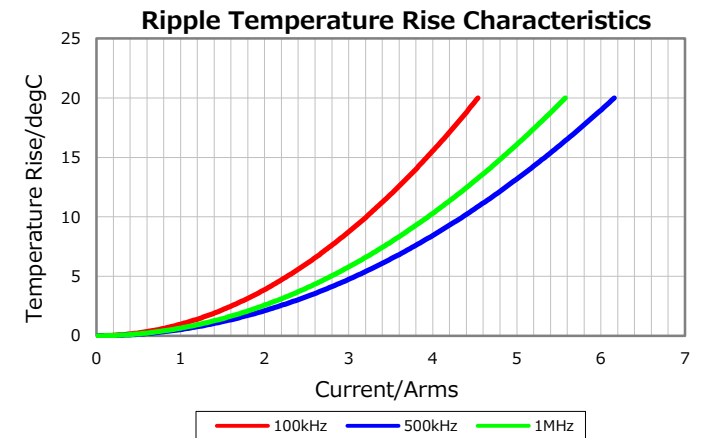
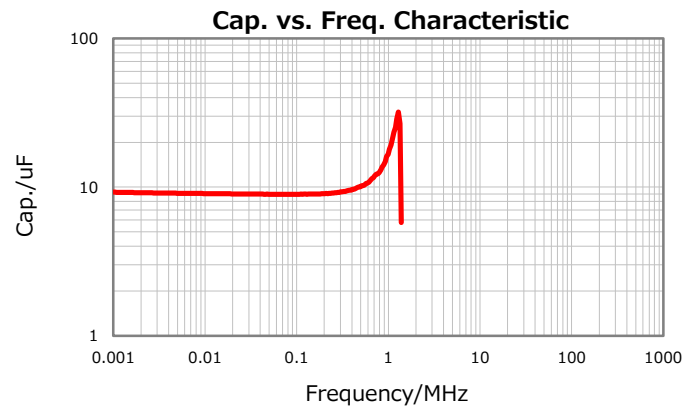
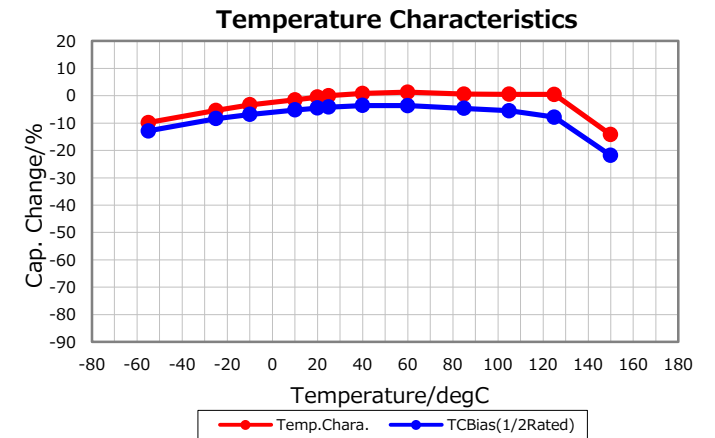
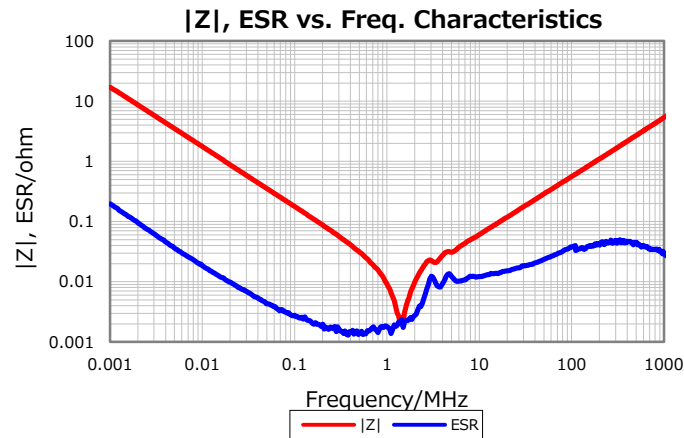
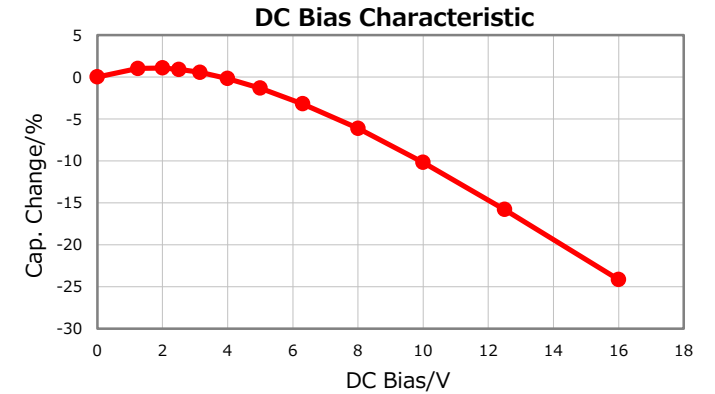
5% Max.

Insulation Resistance

10Mohm Min.

AEC-Q200

Yes



Characterization Sheet (Multilayer Ceramic Chip Capacitors)



All specifications are subject to change without notice.

June 5, 2018