

# CGA8K1X7R3D222M130KE

TDK Item Description : CGA8K1X7R3D222MT\*\*\*S



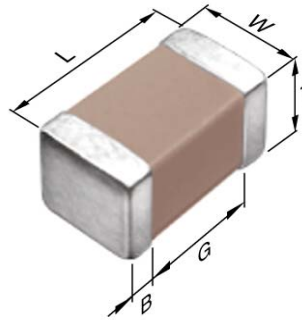
Equivalent C4532X7R3D222M for Automotive

## Application & Main Feature

Automotive Grade ( Soft Termination )

## Series

CGA8(4532) [EIA CC1812]



## Dimensions

L	4.50mm +0.5,-0.4mm
W	3.20mm +/-0.4mm
T	1.30mm +/-0.2mm
B	0.20mm Min.
G	

## Temperature Characteristic

X7R (-55 to 125 degC +/-15%)

## Rated Voltage

3D (2000Vdc)

## Capacitance

2.2nF

## Capacitance Tolerance

M (+/-20%)

## Dissipation Factor

3% Max.

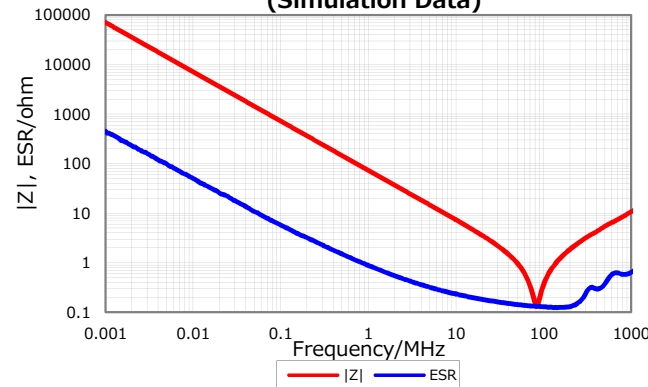
## Insulation Resistance

10Gohm Min

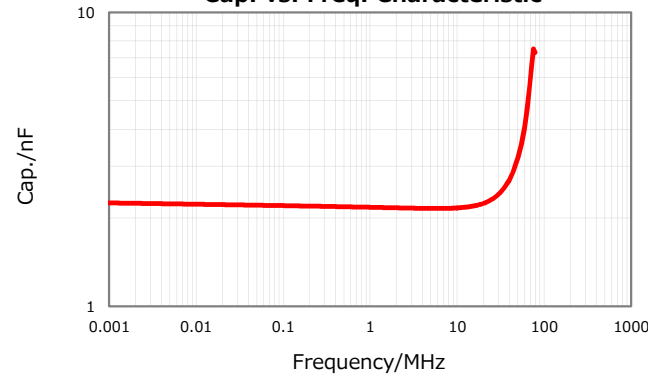
## AEC-Q200

Yes

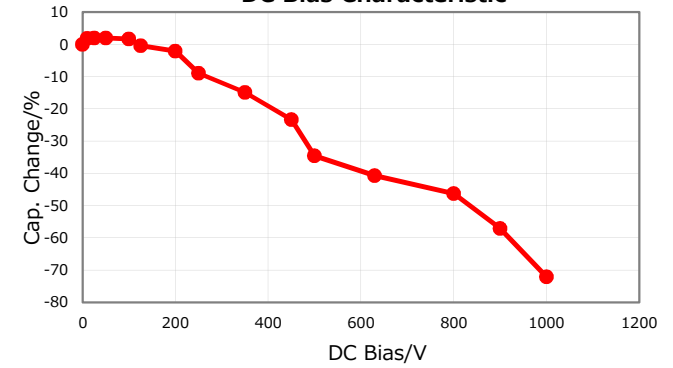
**|Z|, ESR vs. Freq. Characteristics (Simulation Data)**



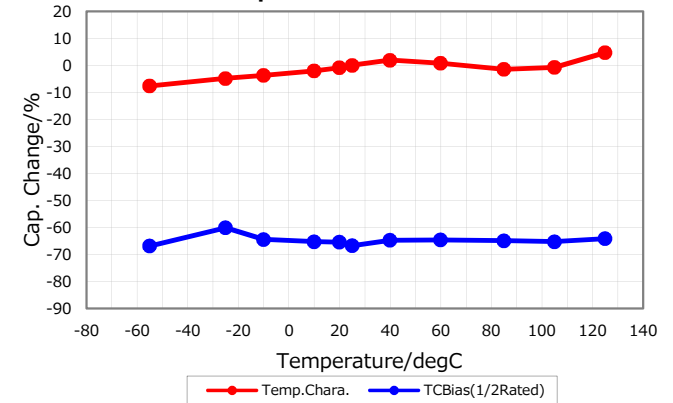
**Cap. vs. Freq. Characteristic**



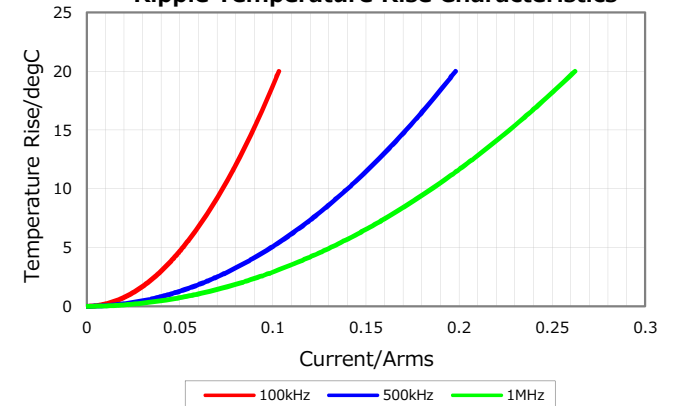
**DC Bias Characteristic**



**Temperature Characteristics**



**Ripple Temperature Rise Characteristics**



Characterization Sheet ( Multilayer Ceramic Chip Capacitors )



All specifications are subject to change without notice.

September 8, 2017