

CGA9P3X7R1H226M250KB

TDK Item Description : CGA9P3X7R1H226MT****



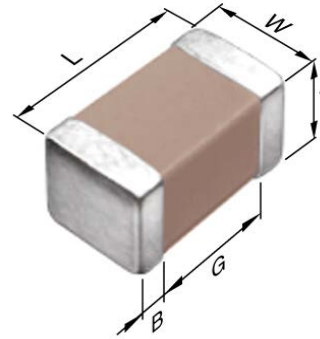
Equivalent CGA9P3X7R1H226M for Automotive

Application & Main Feature

Automotive Grade (General (Up to 75V))

Series

CGA9(5750) [EIA CC2220]



Dimensions

- L 5.70mm +/-0.4mm
- W 5.00mm +/-0.4mm
- T 2.50mm +/-0.3mm
- B 0.20mm Min.
- G ---

Temperature Characteristic

X7R (-55 to +125 degC +/-15%)

Rated Voltage

1H (50Vdc)

Capacitance

22uF

Capacitance Tolerance

M (+/-20%)

Dissipation Factor

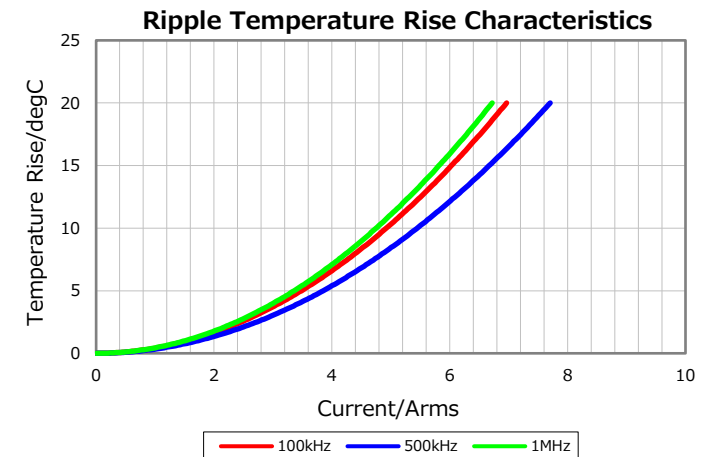
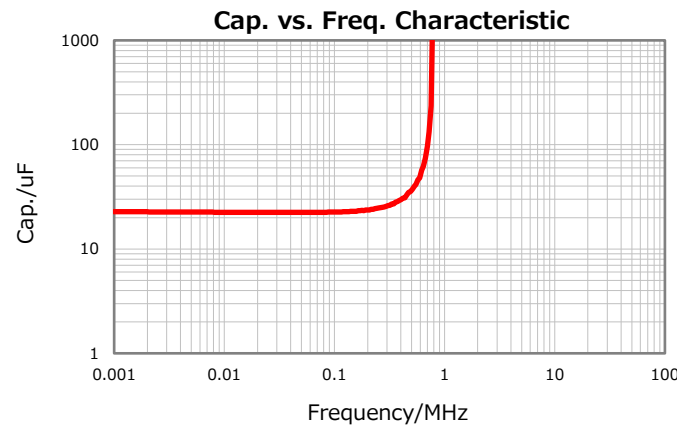
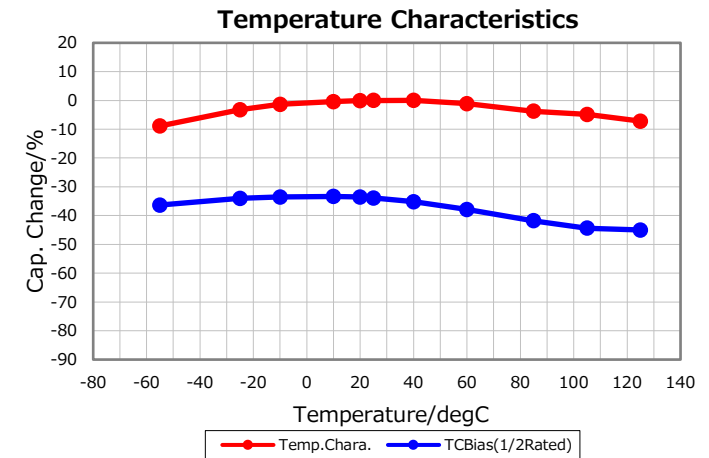
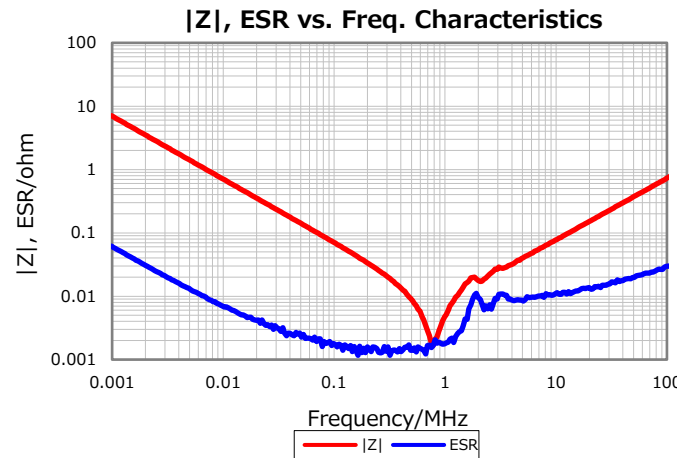
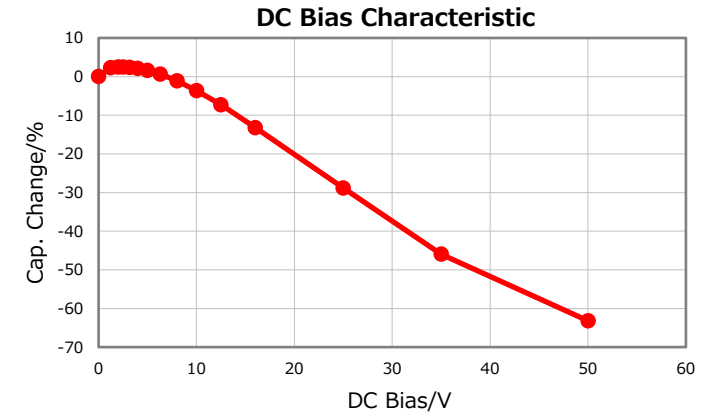
5% Max.

Insulation Resistance

22Mohm Min.

AEC-Q200

Yes



Characterization Sheet (Multilayer Ceramic Chip Capacitors)



All specifications are subject to change without notice.

March 19, 2019