

CGB2A1X6S0J105K033BC

TDK Item Description : CGB2A1X6S0J105KT****

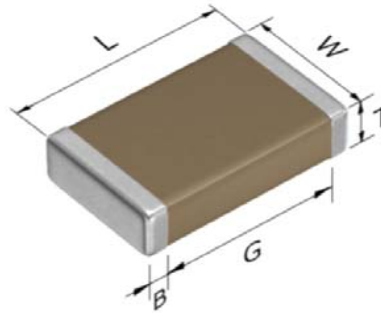


Application & Main Feature

Commercial Grade (Low Profile)

Series

CGB2(1005) [EIA 0402]



Dimensions

L	1.00mm +/-0.1mm
W	0.50mm +/-0.1mm
T	0.30mm +/-0.03mm
B	0.10mm Min.
G	0.30mm Min.

Temperature Characteristic

X6S (-55 to 105 degC +/-22%)

Rated Voltage

0J (6.3Vdc)

Capacitance

1uF

Capacitance Tolerance

K (+/-10%)

Dissipation Factor

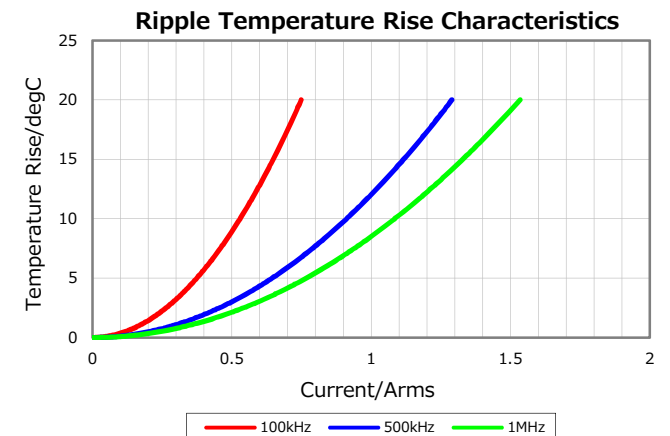
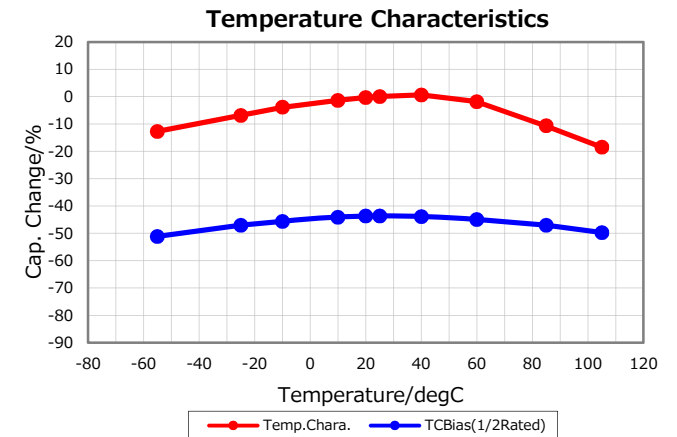
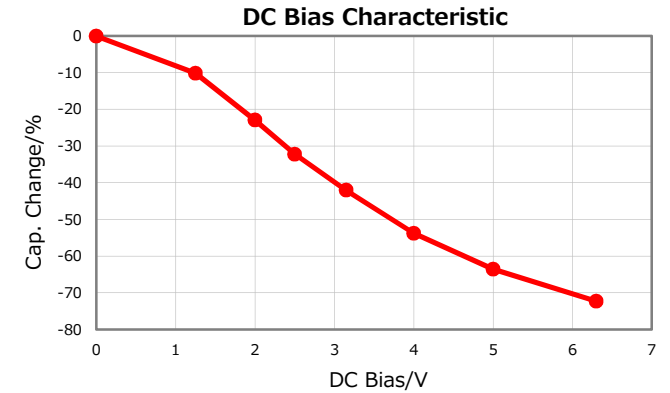
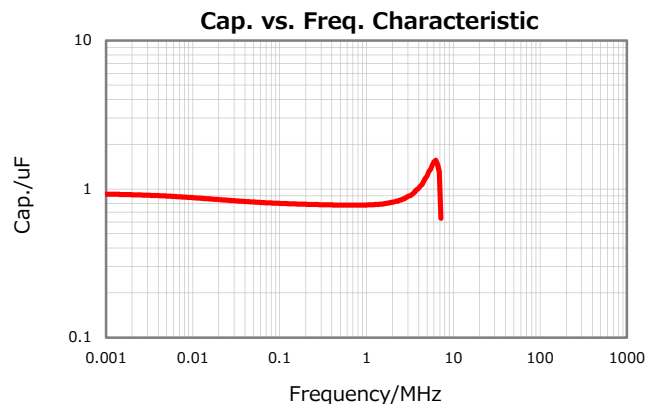
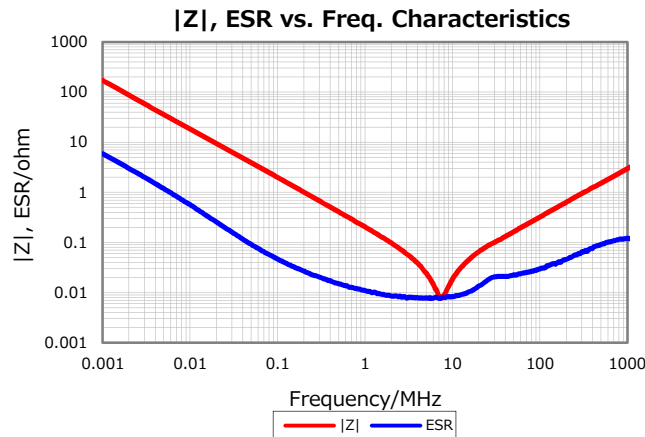
10% Max.

Insulation Resistance

100Mohm Min.

AEC-Q200

Not Applicable



Characterization Sheet (Multilayer Ceramic Chip Capacitors)



All specifications are subject to change without notice.

November 26, 2018