

# CGB2A1X6S1A105K033BC

TDK Item Description : CGB2A1X6S1A105KT\*\*\*\*

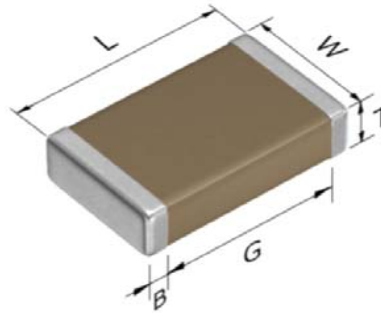


## Application & Main Feature

Commercial Grade ( Low Profile )

## Series

CGB2(1005) [EIA 0402]



## Dimensions

L	1.00mm +/-0.15mm
W	0.50mm +/-0.15mm
T	0.30mm +/-0.03mm
B	0.10mm Min.
G	0.30mm Min.

## Temperature Characteristic

X6S (-55 to 105 degC +/-22%)

## Rated Voltage

1A (10Vdc)

## Capacitance

1uF

## Capacitance Tolerance

K (+/-10%)

## Dissipation Factor

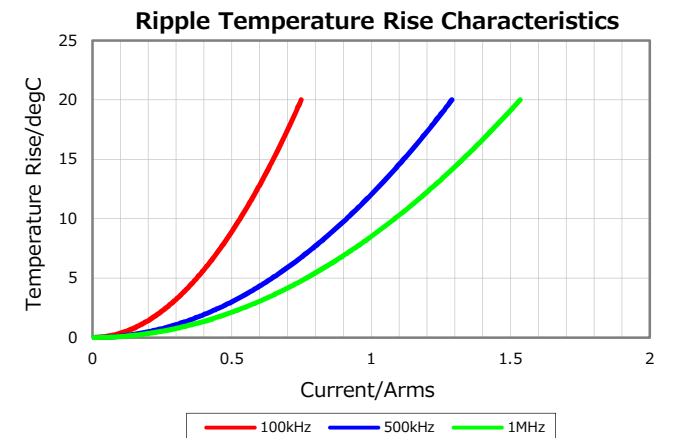
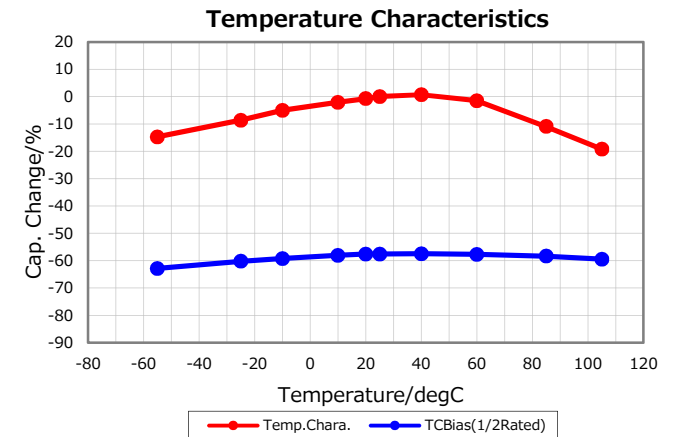
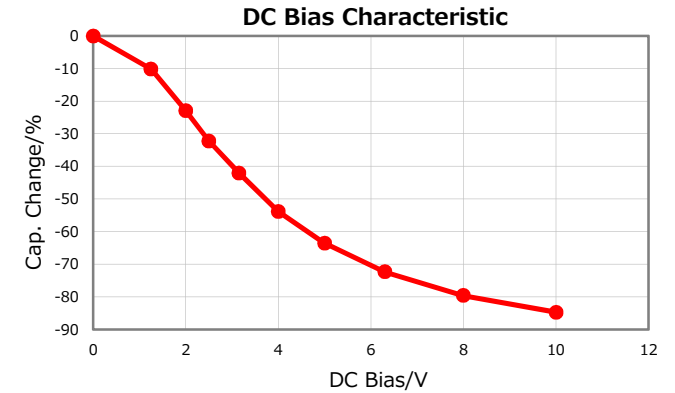
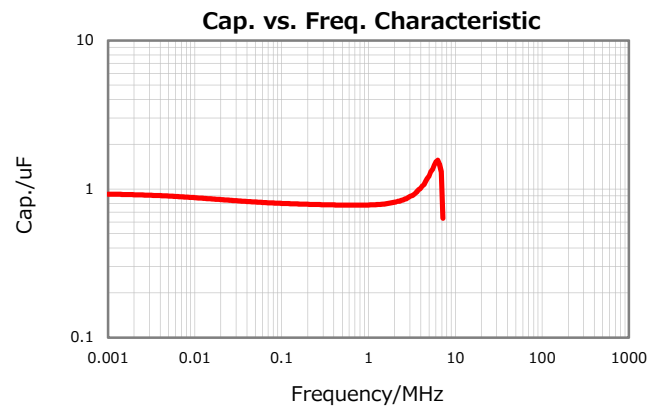
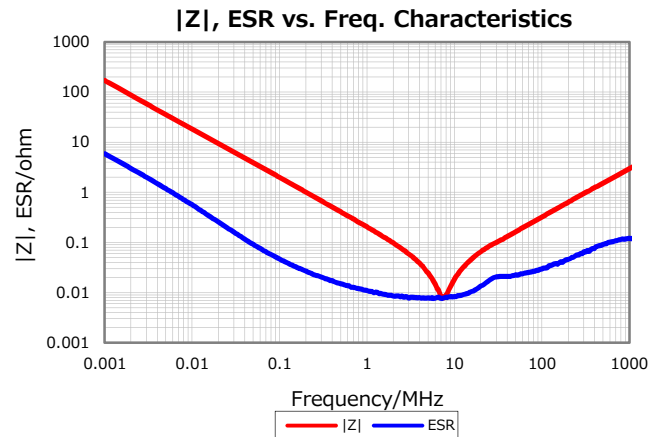
10% Max.

## Insulation Resistance

100Mohm Min.

## AEC-Q200

Not Applicable



Characterization Sheet ( Multilayer Ceramic Chip Capacitors )



All specifications are subject to change without notice.

November 26, 2018