

CKG45NX7S2A106M500JH

TDK item description : CKG45NX7S2A106MT***

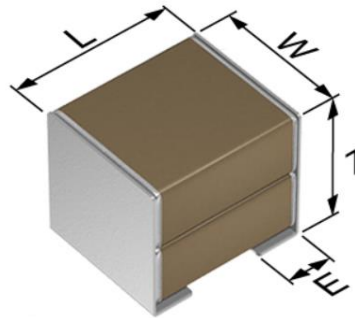


Application & Main Feature

Commercial grade (MEGACAP)

Series

CKG45N(4532) [EIA 1812]



Dimensions

L 5.00±0.50 mm
W 3.50±0.50 mm
T 5.00±0.50 mm
E 1.10±0.30 mm

Temperature Characteristic

X7S (-55 to +125 degC, ±22%)

Rated Voltage

2A (100Vdc)

Capacitance

10µF

Capacitance Tolerance

M (±20%)

DF

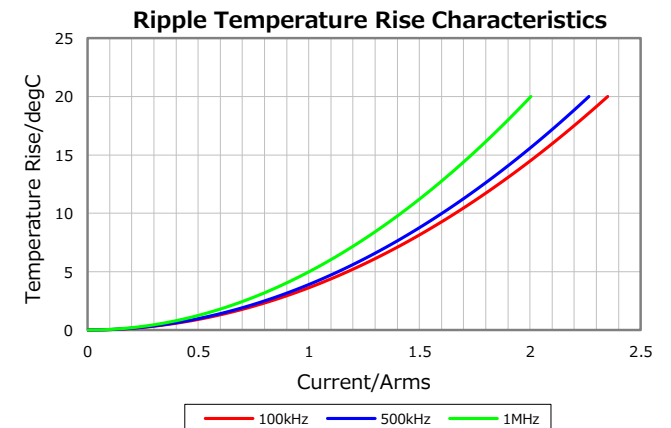
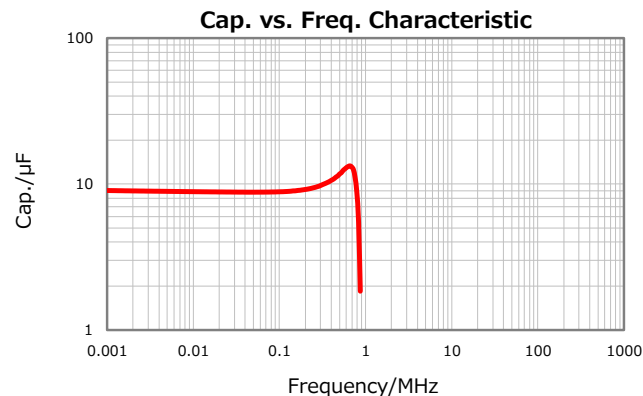
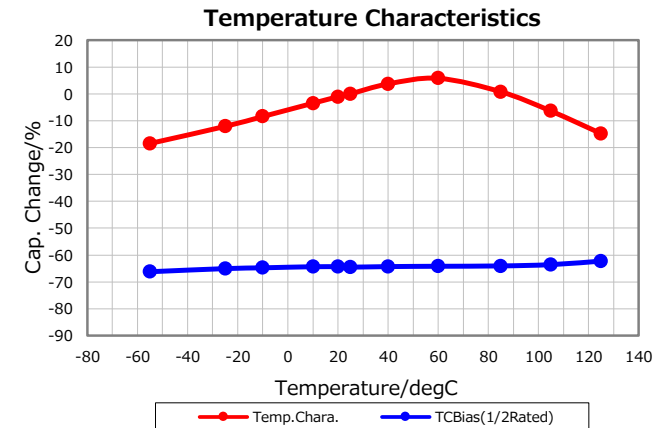
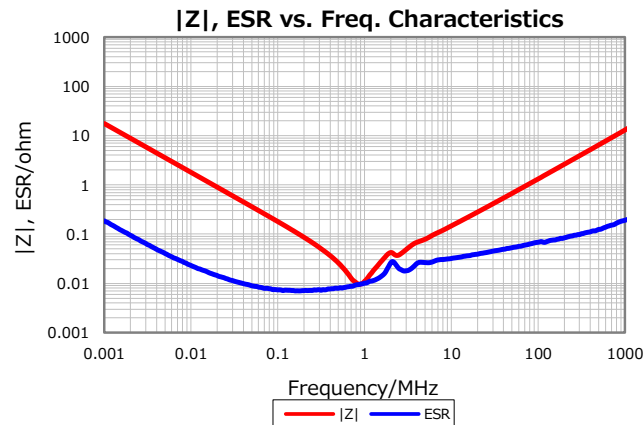
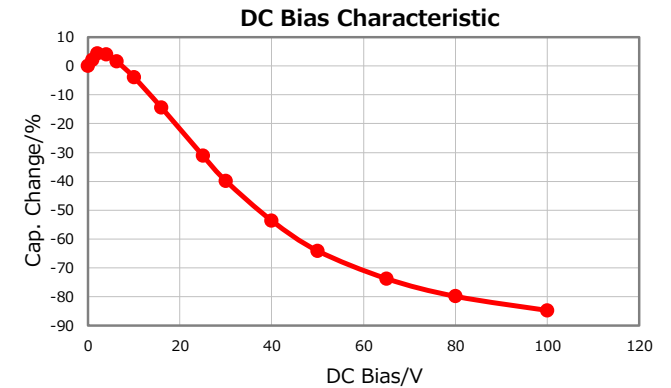
5 % max.

Insulation Resistance

50 Mohm min.

AEC-Q200

Not Applicable



Characterization Sheet (Multilayer Ceramic Chip Capacitors)



⚠ All specifications are subject to change without notice.

April 10, 2022