

CKG45NX7T2J474M500JH

TDK item description : CKG45NX7T2J474MT****

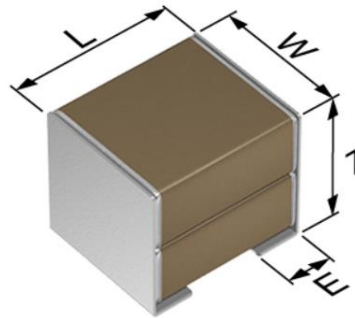


Application & Main Feature

Commercial grade (MEGACAP)

Series

CKG45N(4532) [EIA 1812]



Dimensions

L 5.00±0.50 mm
W 3.50±0.50 mm
T 5.00±0.50 mm
E 1.10±0.30 mm

Temperature Characteristic

X7T (-55 to +125 degC, +22/-33%)

Rated Voltage

2J (630Vdc)

Capacitance

470nF

Capacitance Tolerance

M (±20%)

DF

2.5 % max.

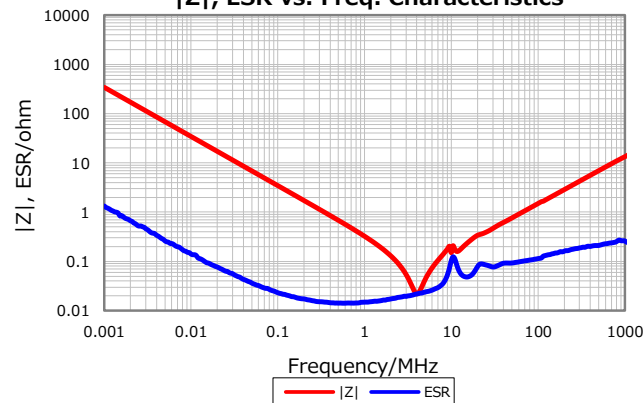
Insulation Resistance

1063 Mohm min.

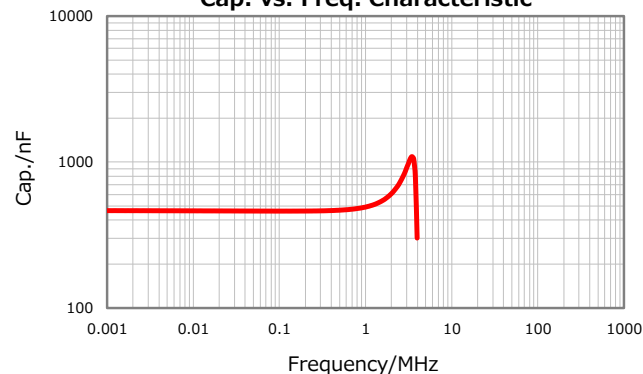
AEC-Q200

Not Applicable

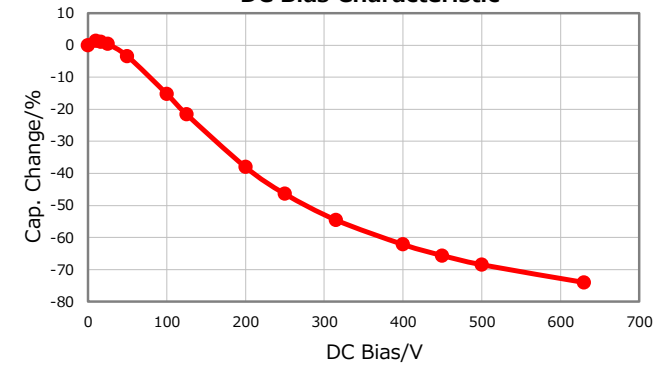
|Z|, ESR vs. Freq. Characteristics



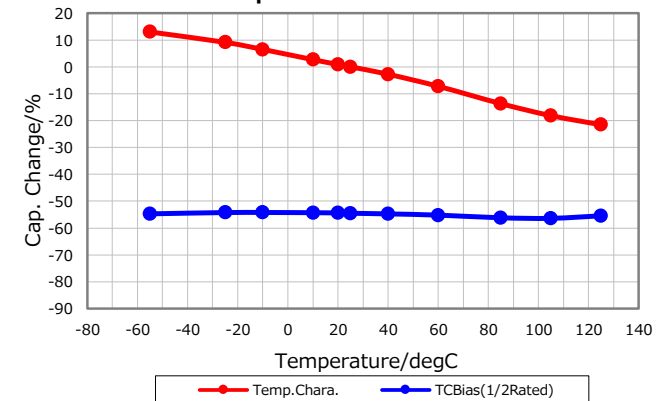
Cap. vs. Freq. Characteristic



DC Bias Characteristic



Temperature Characteristics



Ripple Temperature Rise Characteristics

