

# CKG57NX7R1H476M500JH

TDK item description : CKG57NX7R1H476MT\*\*\*

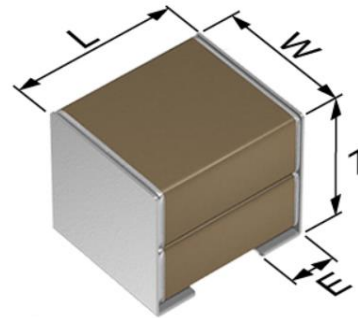


## Application & Main Feature

Commercial grade (MEGACAP)

## Series

CKG57N(5750) [EIA 2220]



## Dimensions

L 6.00±0.50 mm  
W 5.00±0.50 mm  
T 5.00±0.50 mm  
E 1.60±0.30 mm

## Temperature Characteristic

X7R (-55 to +125 degC, ±15%)

## Rated Voltage

1H (50Vdc)

## Capacitance

47µF

## Capacitance Tolerance

M (±20%)

## DF

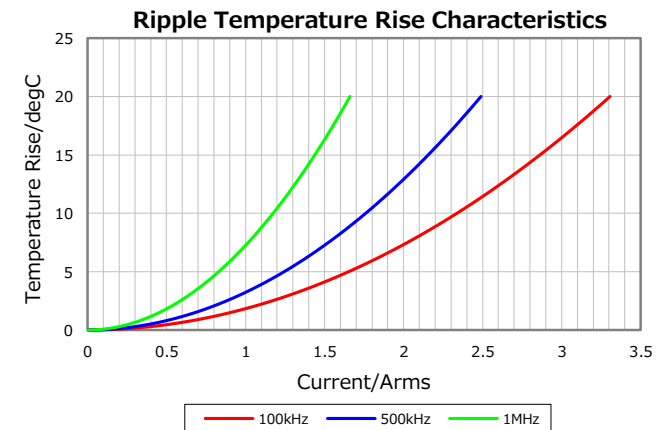
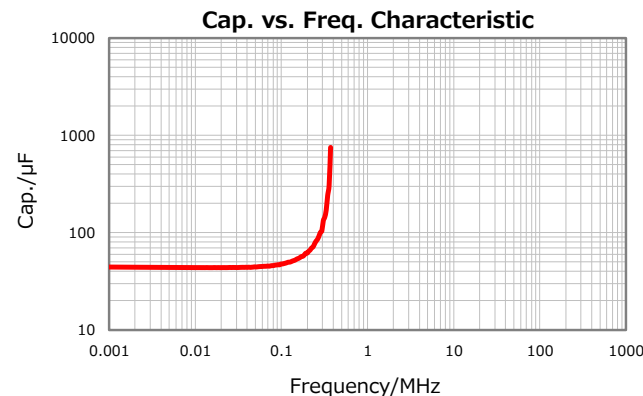
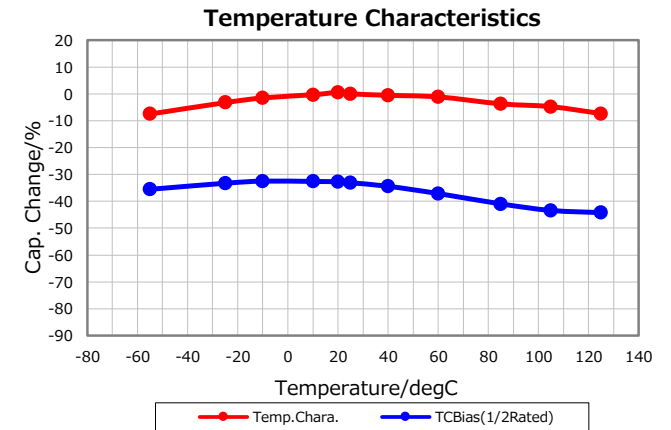
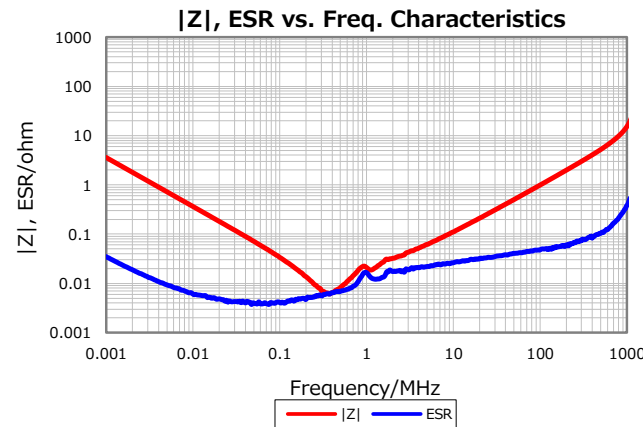
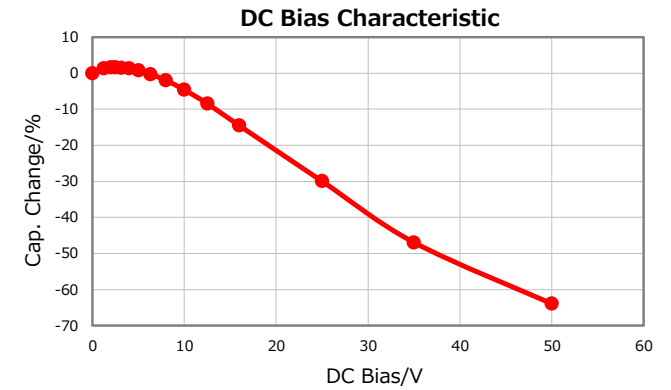
5 % max.

## Insulation Resistance

10 Mohm min.

## AEC-Q200

Not Applicable



Characterization Sheet ( Multilayer Ceramic Chip Capacitors )



⚠ All specifications are subject to change without notice.

March 20, 2022