

# CKG57NX7R2A225M500JJ

TDK item description : CKG57NX7R2A225MT\*\*\*

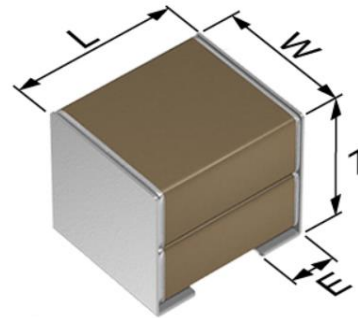


## Application & Main Feature

Automotive grade (MEGACAP)

## Series

CKG57N(5750) [EIA 2220]



## Dimensions

L 6.00±0.50 mm  
W 5.00±0.50 mm  
T 5.00±0.50 mm  
E 1.60±0.30 mm

## Temperature Characteristic

X7R (-55 to +125 degC, ±15%)

## Rated Voltage

2A (100Vdc)

## Capacitance

2.2µF

## Capacitance Tolerance

M (±20%)

## DF

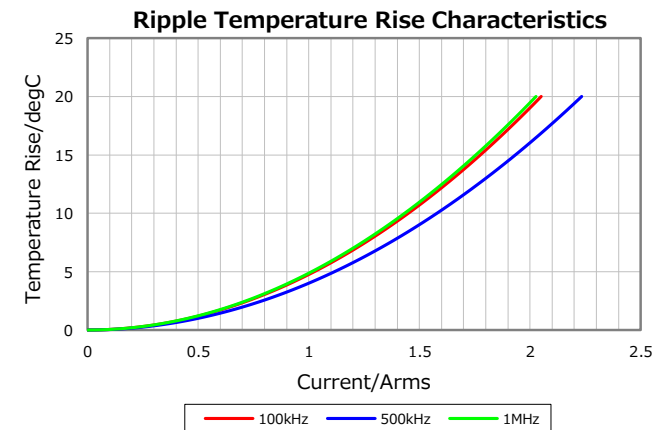
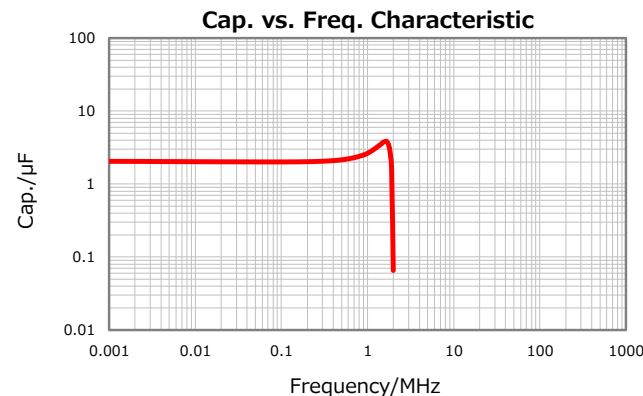
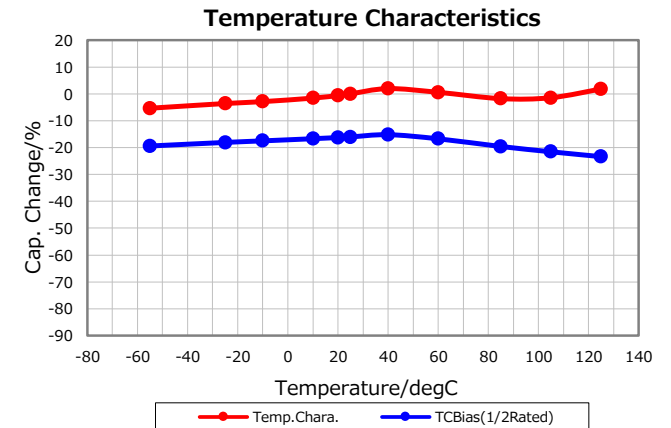
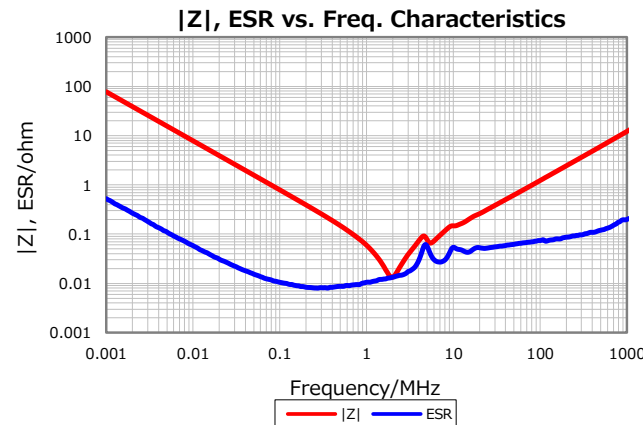
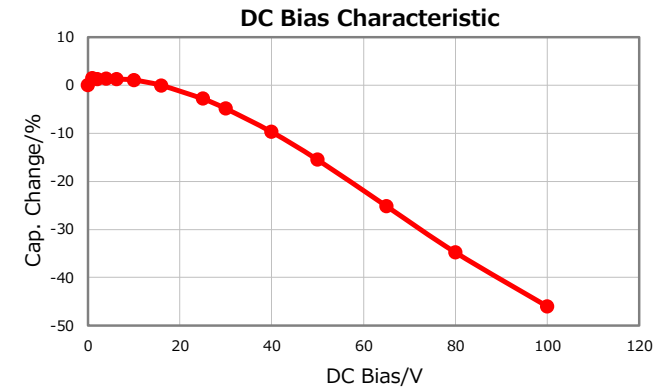
3 % max.

## Insulation Resistance

227 Mohm min.

## AEC-Q200

Yes



Characterization Sheet ( Multilayer Ceramic Chip Capacitors )



⚠ All specifications are subject to change without notice.

March 19, 2022