

CKG57NX7R2J474M500JH

TDK item description : CKG57NX7R2J474MT***

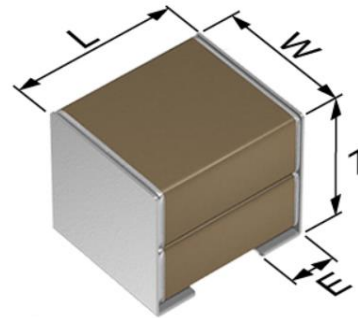


Application & Main Feature

Commercial grade (MEGACAP)

Series

CKG57N(5750) [EIA 2220]



Dimensions

L 6.00±0.50 mm
W 5.00±0.50 mm
T 5.00±0.50 mm
E 1.60±0.30 mm

Temperature Characteristic

X7R (-55 to +125 degC, ±15%)

Rated Voltage

2J (630Vdc)

Capacitance

470nF

Capacitance Tolerance

M (±20%)

DF

3 % max.

Insulation Resistance

1063 Mohm min.

AEC-Q200

Not Applicable

