

CKG57NX7S2A226M500JJ

TDK item description : CKG57NX7S2A226MT***

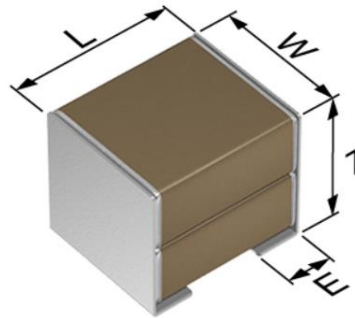


Application & Main Feature

Automotive grade (MEGACAP)

Series

CKG57N(5750) [EIA 2220]



Dimensions

L 6.00±0.50 mm
W 5.00±0.50 mm
T 5.00±0.50 mm
E 1.60±0.30 mm

Temperature Characteristic

X7S (-55 to +125 degC, ±22%)

Rated Voltage

2A (100Vdc)

Capacitance

22µF

Capacitance Tolerance

M (±20%)

DF

5 % max.

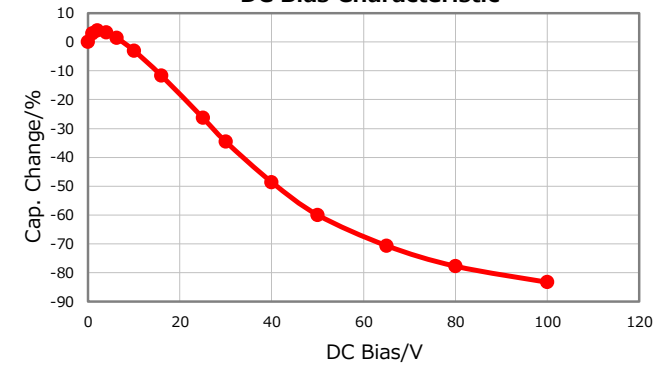
Insulation Resistance

22 Mohm min.

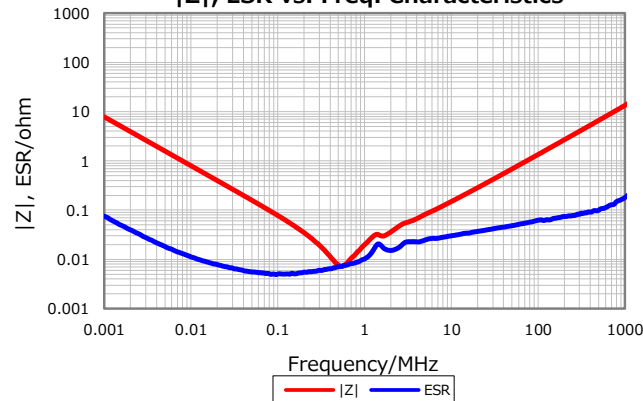
AEC-Q200

Yes

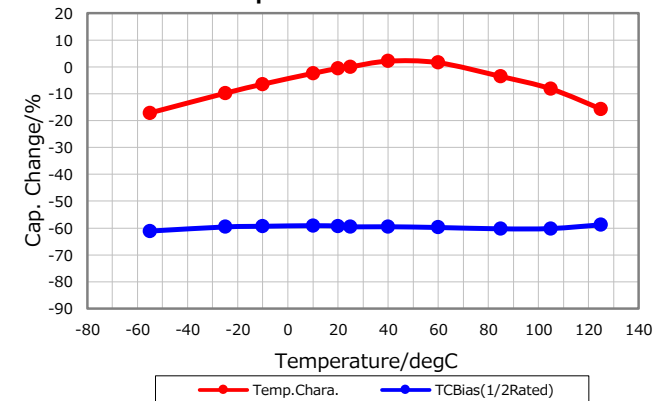
DC Bias Characteristic



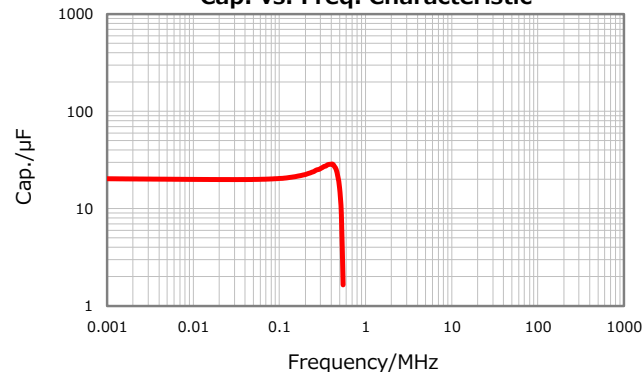
|Z|, ESR vs. Freq. Characteristics



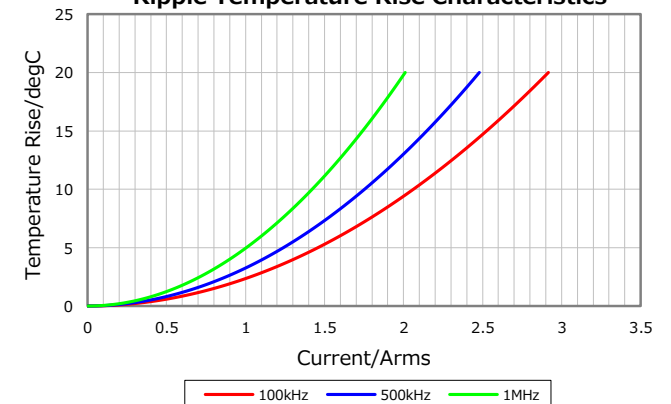
Temperature Characteristics



Cap. vs. Freq. Characteristic



Ripple Temperature Rise Characteristics



Characterization Sheet (Multilayer Ceramic Chip Capacitors)



All specifications are subject to change without notice.

March 19, 2022