

RSEC SERIES

Compact, Lug Terminal Type Of Single-Phase Filter



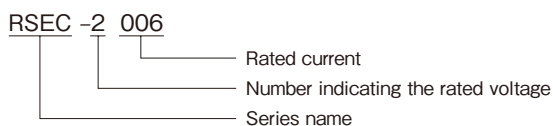
FEATURES

- Easy replacement of existing products (RSEL series)
(Equivalent attenuation characteristics, form factor and mounting compatibility)
- Unified terminal type: Faston terminals (Faston#110)
- Optimized electrical characteristics and the adoption of a unified terminal type, automatization of production processes

SAFETY STANDARDS

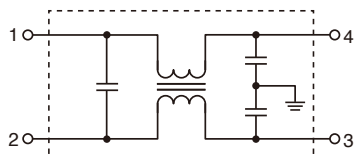
UL1283
EN60939-3 (ENEC14)

PRODUCT IDENTIFICATION



CONFORMITY TO RoHS Directive

CIRCUIT DIAGRAM



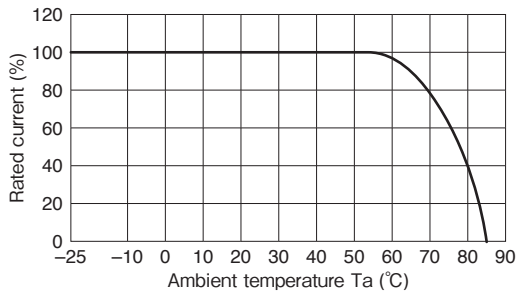
• Faston® is a registered trademark of TE Connectivity.

web231206

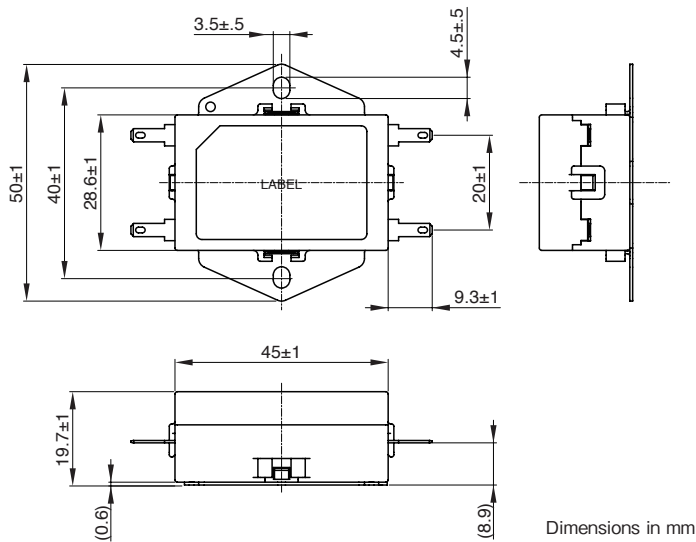
ELECTRICAL CHARACTERISTICS

Part No.	Rated voltage (AC/DC)	Rated current (AC/DC)	Withstand voltage	Insulation resistance	Leakage current	Operating temperature range	With derating over	DC resistance (mΩ)	Attenuation frequency range (MHz)		Weight (g)
									Common mode	Differential mode	
									at 25dB		
RSEC-2006	250	6	AC.500V 60s [line - earth]	100MΩ min. [DC.500V/ 1min]	1mA max. [250V/60Hz]	-25 to +85°C	55°C	60 max.	1 ~ 30	1 ~ 30	45

DERATING GRAPH



MECHANICAL



ATTENUATION vs. FREQUENCY CHARACTERISTICS

RSEC-2006

