

# RSKN SERIES

Wide band, high attenuation from low frequency to high frequency



EMC filter

## FEATURES

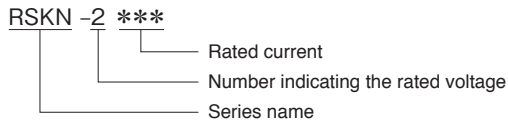
- Two stage filtering and the nano crystal core with high attenuation performance is employed.
- Wide band, high attenuation from low frequency to high frequency.
- Terminal block for simple installation.
- Terminal block cover is included for safety protection.

## SAFETY STANDARDS

- UL1283
- CSA C22.2 No.8
- EN60939-1/-2 (SEMKO)

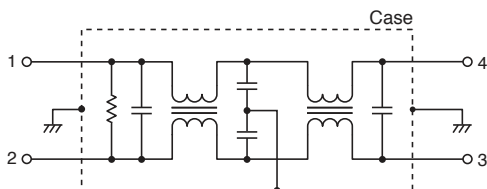
RSKN

## PRODUCT IDENTIFICATION



## CONFORMITY TO RoHS Directive

## CIRCUIT DIAGRAM



**ELECTRICAL CHARACTERISTICS**

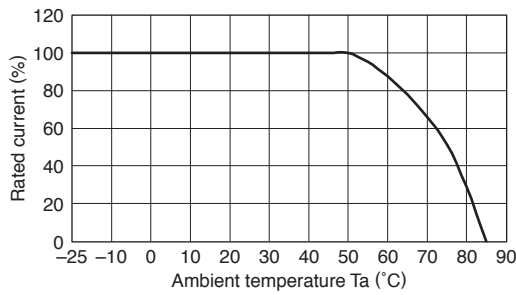
Part No.	Rated voltage (AC/DC)	Rated current (AC/DC)	Withstand voltage	Isolation resistance	Leakage current	Operating temperature range	With derating over	DC resistance (Ω)	Attenuation frequency range(MHz)		Weight (g)
									Common mode	Differential mode	
									at 30dB	at 25dB	
RSKN-2006	250V	6A <sup>1</sup>	AC2500V 60s [Between line to ground]	100M.Ω min. [DC.500V/ 1min]	1.0mA max. [250V/60Hz]	-25 ~ +85°C	50°C	0.3 max.	0.2 ~ 30	0.4 ~ 30	220
RSKN-2010		10A <sup>1</sup>						0.1 max.	0.2 ~ 30	0.5 ~ 30	310
RSKN-2020		20A <sup>2</sup>					45°C	0.02 max.	0.3 ~ 30	0.4 ~ 30	530
RSKN-2030		30A <sup>2</sup>						0.01 max.	0.4 ~ 30	0.4 ~ 30	660

<sup>1</sup>: Value at Ta ≤ 50°C . Refer to the derating curve shown below at Ta > 50°C  
<sup>2</sup>: Value at Ta ≤ 45°C . Refer to the derating curve shown below at Ta > 45°C

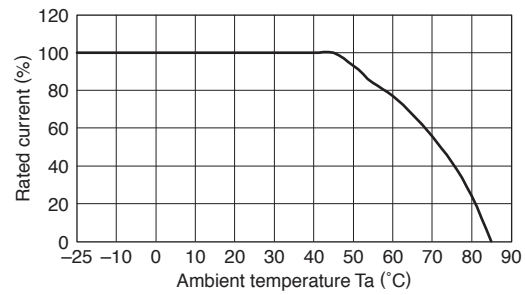
EMC filter

**DERATING GRAPHS**

RSKN-2006/-2010



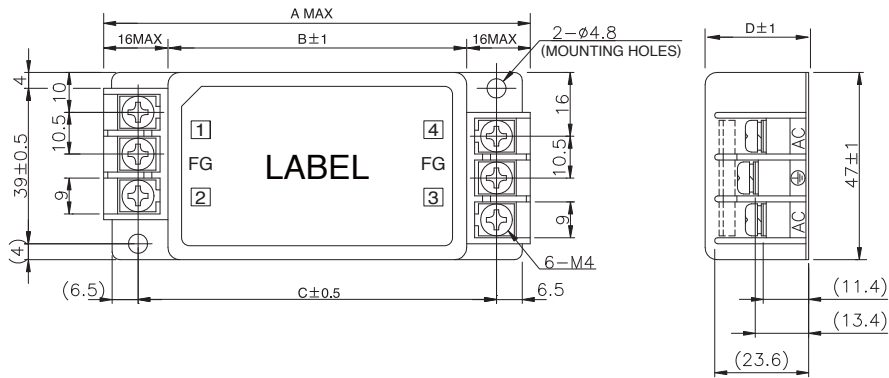
RSKN-2020/-2030



RSKN

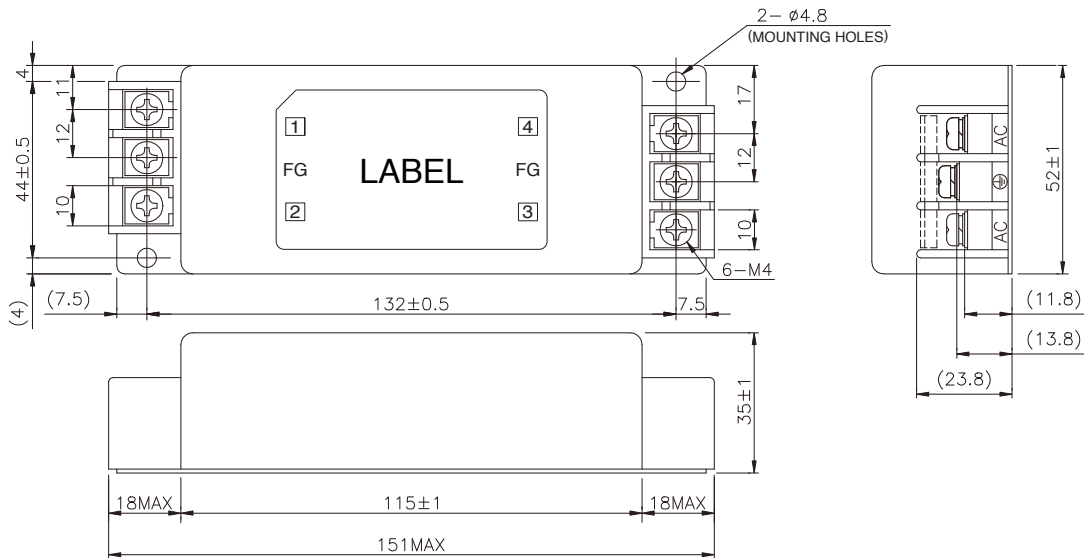
MECHANICAL

RSKN-2006/2010

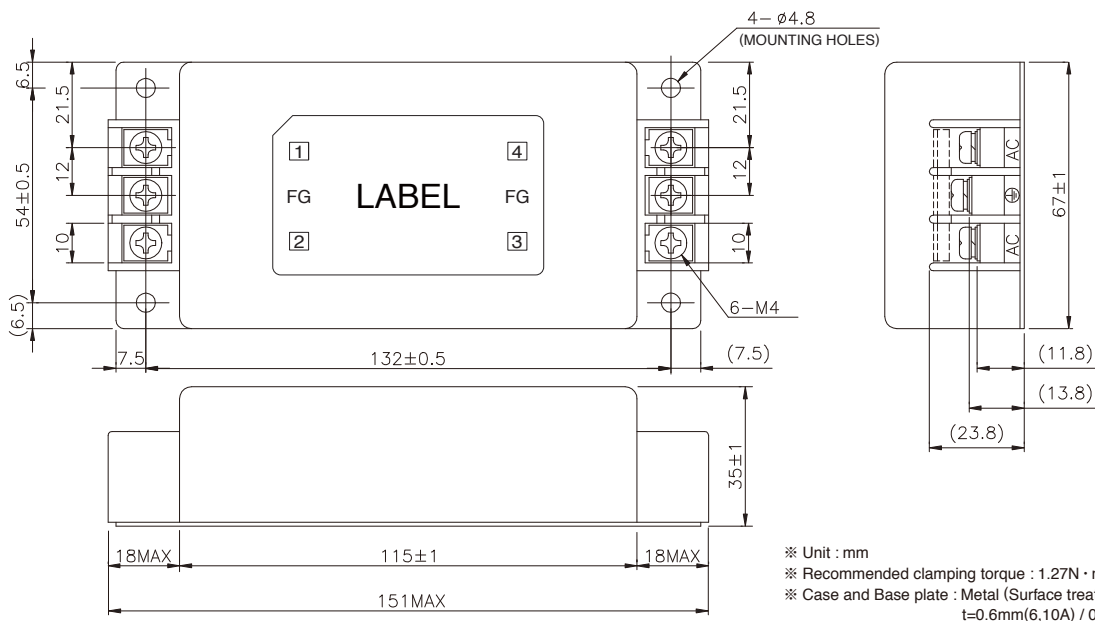


Part No.	A	B	C	D
RSKN-2006	107	75	90	26
RSKN-2010	117	85	100	30

RSKN-2020



RSKN-2030



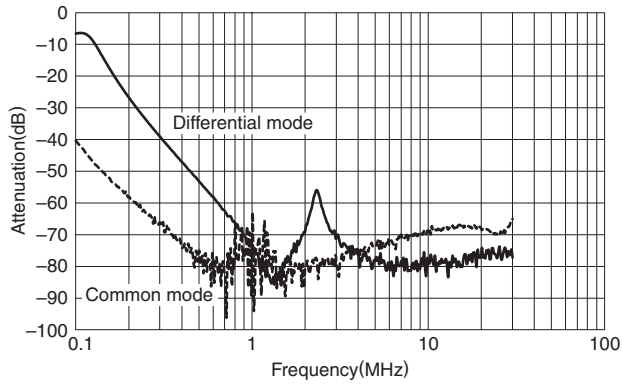
※ Unit : mm  
 ※ Recommended clamping torque : 1.27N · m  
 ※ Case and Base plate : Metal (Surface treatment : Nickel plating)  
 t=0.6mm(6,10A) / 0.8mm(20,30A)

EMC filter

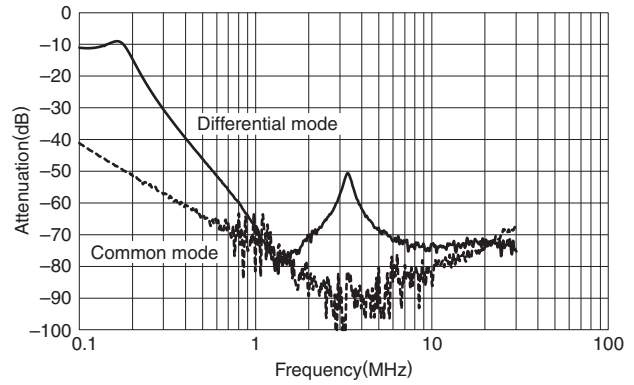
RSKN

### ■ ATTENUATION vs. FREQUENCY CHARACTERISTICS

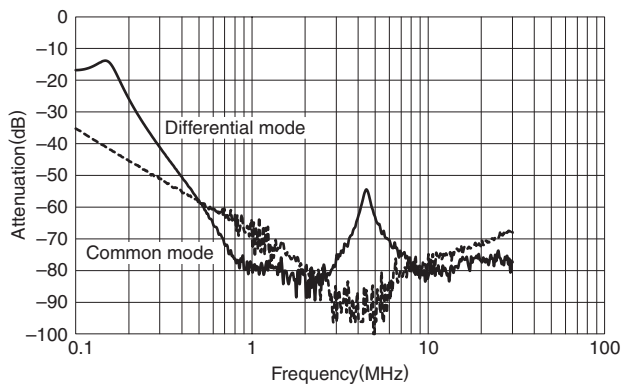
RSKN-2006



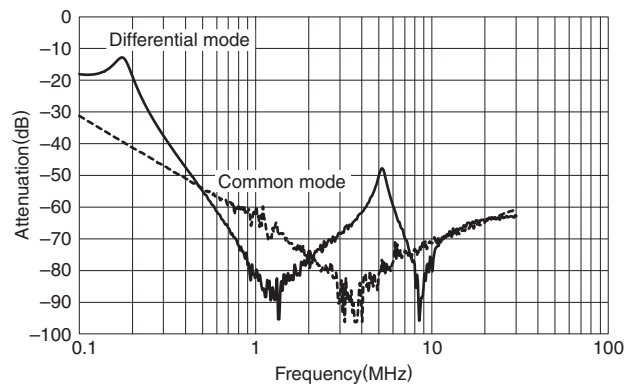
RSKN-2010



RSKN-2020



RSKN-2030

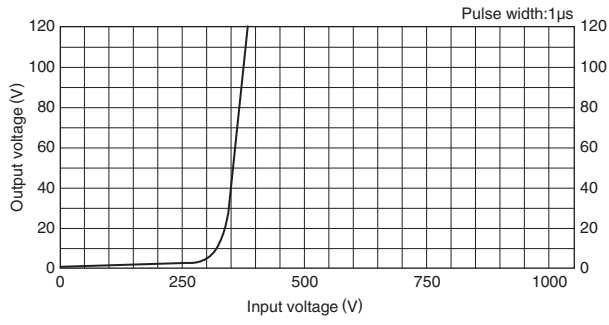


EMC filter

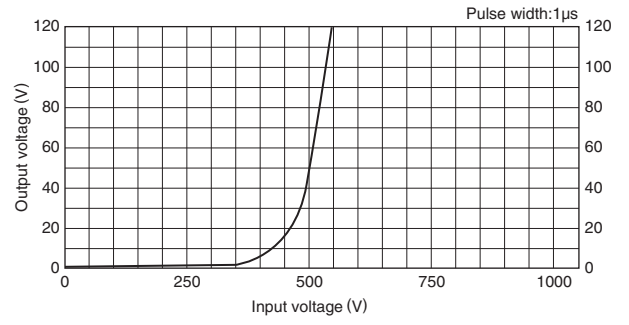
RSKN

**■ PULSE ATTENUATION CHARACTERISTICS**

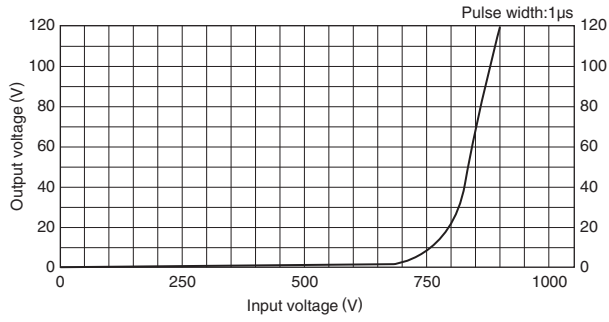
RSKN-2006



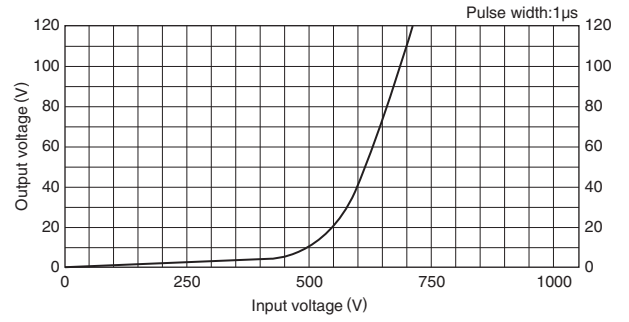
RSKN-2010



RSKN-2020



RSKN-2030



EMC filter

RSKN