



Mn-Zn

Ferrite Cores for Switching Power Supplies

T series

Caution

**The products in this catalog are not recommended
for new design.**

Please refer to our Web site about replacement information.

 **REMINDERS FOR USING THESE PRODUCTS**

Please be sure to read this manual thoroughly before using the products.

The products listed on this catalog are intended for use in general electronic equipment (AV equipment, telecommunications equipment, home appliances, amusement equipment, computer equipment, personal equipment, office equipment, measurement equipment, industrial robots) under a normal operation and use condition.

The products are not designed or warranted to meet the requirements of the applications listed below, whose performance and/or quality require a more stringent level of safety or reliability, or whose failure, malfunction or trouble could cause serious damage to society, person or property.

Please understand that we are not responsible for any damage or liability caused by use of the products in any of the applications below or for any other use exceeding the range or conditions set forth in this specification sheet.

If you intend to use the products in the applications listed below or if you have special requirements exceeding the range or conditions set forth in the each catalog, please contact us.

- | | |
|---|--|
| (1) Aerospace/aviation equipment | (9) Military equipment |
| (2) Transportation equipment (cars, electric trains, ships, etc.) | (10) Electric heating apparatus, burning equipment |
| (3) Medical equipment | (11) Disaster prevention/crime prevention equipment |
| (4) Power-generation control equipment | (12) Safety equipment |
| (5) Atomic energy-related equipment | (13) Other applications that are not considered general-purpose applications |
| (6) Seabed equipment | |
| (7) Transportation control equipment | |
| (8) Public information-processing equipment | |

When using these products in general purposes and standard use, it is recommended that protection circuits are used, devices are secured, and backup circuits are kept for increased safety.

Ferrite Cores for Switching Power Supplies

Product compatible with RoHS directive

Overview of the T Series

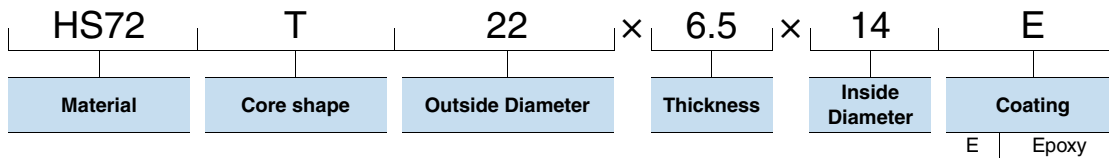
FEATURES

- Select from three high permeability magnetic materials of $\mu_i=7000, 10000, 12000$ to match the frequency band used.
- Paraxylene coating is available.

APPLICATION

Common mode choke coils, inductors, current sensors, EMI/RFI filters

PART NUMBER CONSTRUCTION



· Can be coated with epoxy. If epoxy-coated products are desired, please suffix E to part No. when ordering.
 Product number example: HS72 T22 × 6.5 × 14E

RANGE OF USE AND STORAGE TEMPERATURE

Temperature range	
Operating temperature (°C)	Storage temperature (°C)
-30 to +105	-30 to +85

○ RoHS Directive Compliant Product: See the following for more details. <https://product.tdk.com/info/en/environment/rohs/index.html>

⚠ Please be sure to request delivery specifications that provide further details on the features and specifications of the products for proper and safe use. Please note that the contents may change without any prior notice due to reasons such as upgrading.

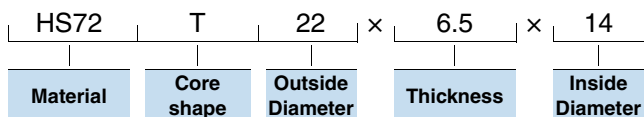
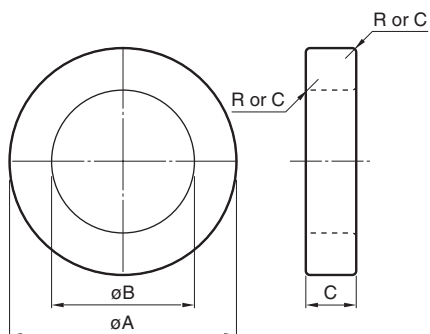
FERRITES



Mn-Zn T Core



SHAPES AND DIMENSIONS



• Can be coated with epoxy. If epoxy-coated products are desired, please suffix E to part No. when ordering.
 Product number example: HS72 T22 × 6.5 × 14E

Part No.	JIS C 2569	Dimensions (mm)		
		ϕA	ϕB	C
HS72 T14×7×8 HS10 T14×7×8		14.0±0.3	8.0±0.3	7.0±0.3
HS72 T16×8×12 HS10 T16×8×12		16.0±0.3	12.0±0.3	8.0±0.3
HS72 T18×10×10 HS10 T18×10×10	FOR-18-10-10	18.0±0.3	10.0±0.3	10.0±0.3
HS72 T20×10×12 HS10 T20×10×12	FOR-20-10-12	20.0±0.4	12.0±0.4	10.0±0.3
HS72 T22×6.5×14 HS10 T22×6.5×14		22.0±0.4	14.0±0.4	6.5±0.3

Part No.	Effective parameter					R or C	Weigh (g)	Electrical characteristics		
	Core factor C_1 (mm ⁻¹)	Effective cross-sectional area A_e (mm ²)	Effective magnetic path length ℓ_e (mm)	Effective core volume V_e (mm ³)	AL-value (nH/N ²)			Measuring conditions		
HS72 T14×7×8 HS10 T14×7×8	1.60	20.5	32.8	671	C0.5	3.4	5100±25% 6800±30%	100kHz 10kHz	10mV 10mV	5Ts 10Ts
HS72 T16×8×12 HS10 T16×8×12	2.73	15.9	43.4	689	C0.3	3.4	3400±25% 4500±30%	100kHz 10kHz	10mV 10mV	5Ts 10Ts
HS72 T18×10×10 HS10 T18×10×10	1.07	38.9	41.5	1610	C0.5	8.3	8800±25% 10150±30%	100kHz 10kHz	10mV 10mV	5Ts 10Ts
HS72 T20×10×12 HS10 T20×10×12	1.23	39.1	48.1	1880	C0.5	9.5	7600±25% 10000±30%	100kHz 10kHz	10mV 10mV	5Ts 10Ts
HS72 T22×6.5×14 HS10 T22×6.5×14	2.14	25.6	54.7	1400	C0.5	6.9	4400±25% 5750±30%	100kHz 10kHz	10mV 10mV	5Ts 10Ts

⚠ Please be sure to request delivery specifications that provide further details on the features and specifications of the products for proper and safe use.
 Please note that the contents may change without any prior notice due to reasons such as upgrading.

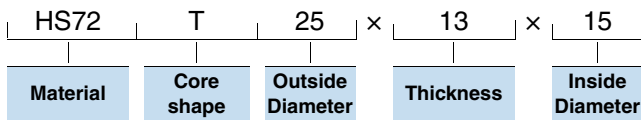
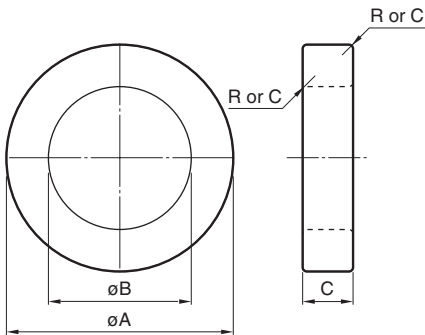
FERRITES



Mn-Zn T Core



SHAPES AND DIMENSIONS



• Can be coated with epoxy. If epoxy-coated products are desired, please suffix E to part No. when ordering.
Product number example: HS72 T22 × 6.5 × 14E

Part No.	JIS C 2569	Dimensions (mm)		
		øA	øB	C
HS72 T25×13×15 HS10 T25×13×15		25.0±0.4	15.0±0.4	13.0±0.3
HS72 T28×13×16 HS10 T28×13×16	FOR-28-13-16	28.0±0.4	16.0±0.4	13.0±0.3
HS72 T31×8×19 HS10 T31×8×19		31.0±0.5	19.0±0.5	8.0±0.3
HS72 T38×14×22		38.0±0.5	22.0±0.5	14.0±0.4
HS72 T44.5×13×30	FOR-45-13-30	44.5±0.5	30.0±0.5	13.0±0.4

Part No.	Effective parameter					R or C	Weigh (g)	Electrical characteristics		
	Core factor C ₁ (mm ⁻¹)	Effective cross-sectional area A _e (mm ²)	Effective magnetic path length ℓ _e (mm)	Effective core volume V _e (mm ³)	AL-value (nH/N ²)			Measuring conditions		
HS72 T25×13×15 HS10 T25×13×15	0.946	63.6	60.2	3830	C1.0	19	9900±25% 13000±30%	100kHz 10kHz	10mV 10mV	5Ts 10Ts
HS72 T28×13×16 HS10 T28×13×16	0.864	76.0	65.6	4990	C0.5	26	10700±25% 14200±30%	100kHz 10kHz	10mV 10mV	5Ts 10Ts
HS72 T31×8×19 HS10 T31×8×19	1.60	47.1	75.5	3550	C1.0	17	5800±25% 7700±30%	100kHz 10kHz	10mV 10mV	5Ts 10Ts
HS72 T38×14×22	0.821	109	89.7	9800	C1.0	50	10700±25%	100kHz	10mV	5Ts
HS72 T44.5×13×30	1.23	93	114	10600	C0.5	53	7100±25%	100kHz	10mV	5Ts

⚠ Please be sure to request delivery specifications that provide further details on the features and specifications of the products for proper and safe use.
Please note that the contents may change without any prior notice due to reasons such as upgrading.