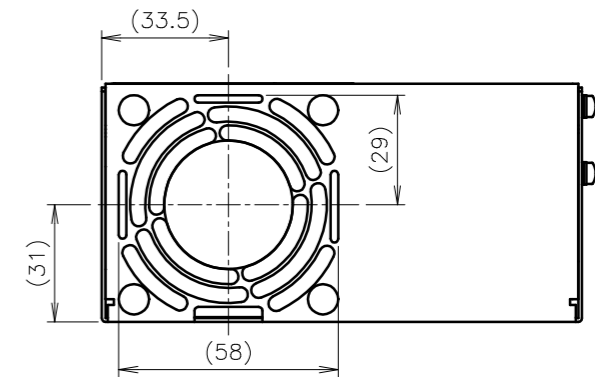
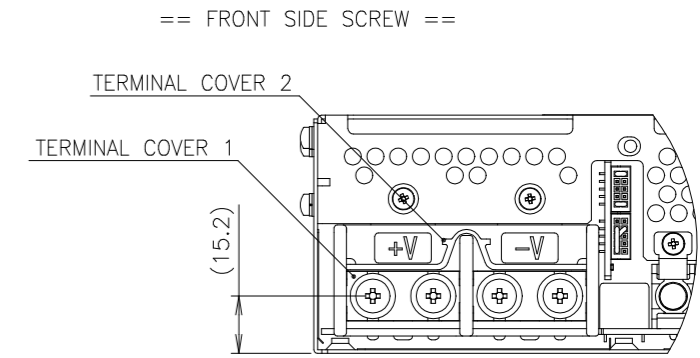
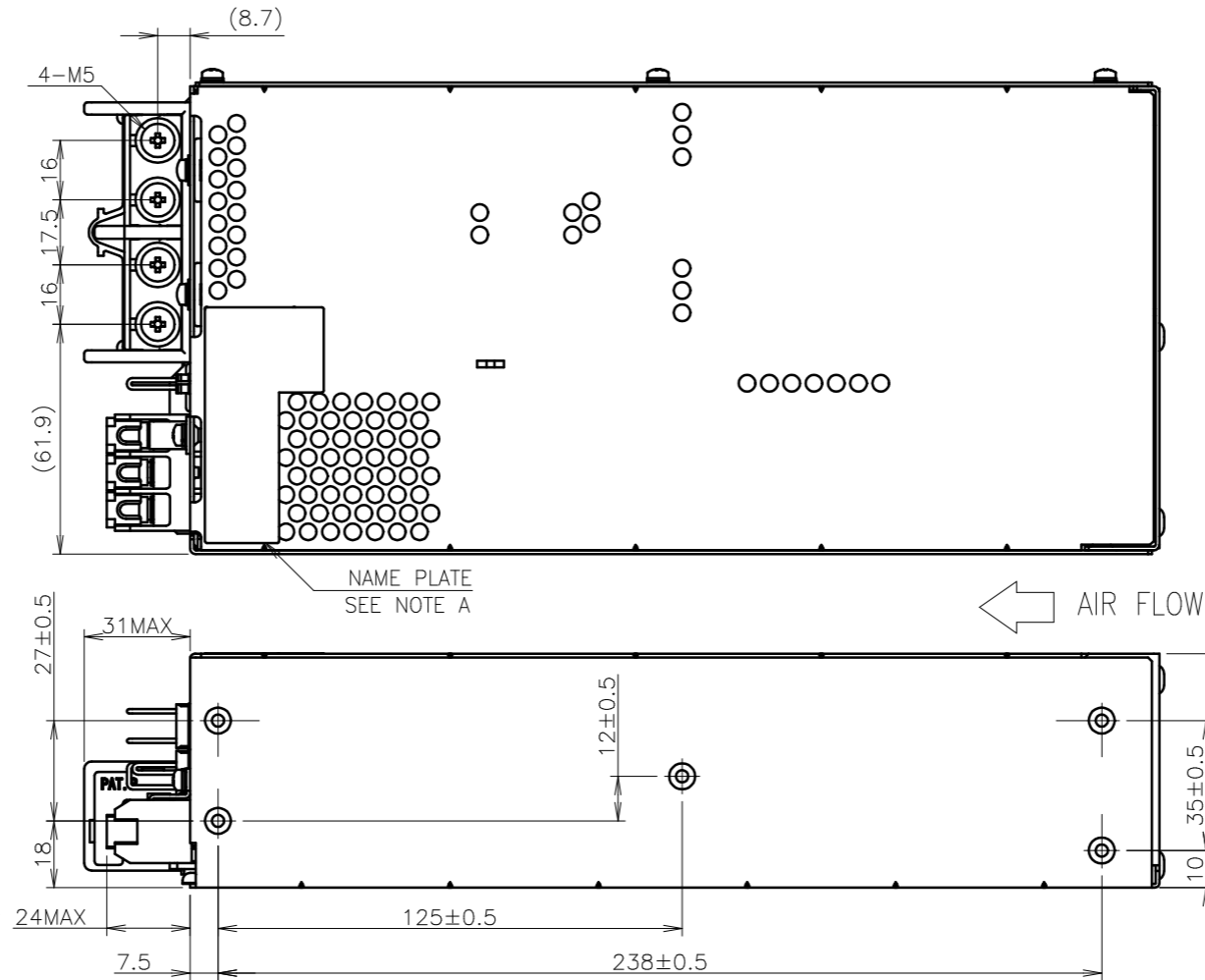
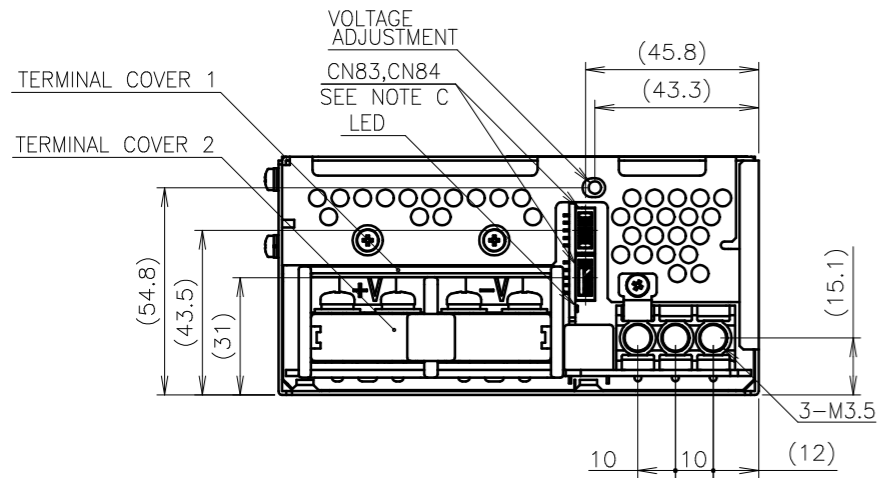
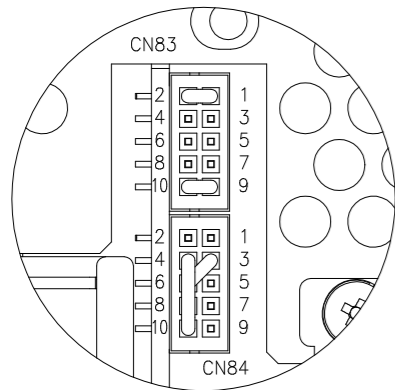


NOTE A : MODEL NAME, INPUT VOLTAGE RANGE, NOMINAL OUTPUT VOLTAGE, MAXIMUM OUTPUT CURRENT, COUNTRY OF MANUFACTURE AND SAFETY MARKING (FOR ONLY APPROVED PRODUCTS) ARE SHOWN HERE IN ACCORDANCE WITH THE SPECIFICATIONS.



NOTE B : 9-M4 BR & COUNTERSINK ARE FOR CUSTOMER'S CHASSIS MOUNTING. (SCREW PENETRATION DEPTH 5mm MAX.)

NOTE C : SIGNAL CONNECTOR INFORMATION
PIN CONFIGURATION AND FUNCTION OF CN83, CN84



CN83		
PIN No.	CONFIGURATION	FUNCTION
1	+Vm	Output monitor terminal (+V).
2	+S	Remote sensing terminal for +output.
3	+R	Remote ON/OFF control terminal.
4	-R	GND for Remote ON/OFF control terminal.
5	+PF	Power fail signal (PF signal) output terminal.
6	-PF	GND for PF signal.
7	COM	Current balance terminal.
8	PC	Current balance terminal.
9	-Vm	GND for Output monitor terminal.
10	-S	Remote sensing terminal for -output.

CN84		
PIN No.	CONFIGURATION	FUNCTION
1	NC	-
2	NC	-
3	+R	Remote ON/OFF control terminal.
4	-R	GND for Remote ON/OFF control terminal.
5	+STB	Standby supply (5V/1A).
6	+STB	Standby supply (5V/1A).
7	COM	Current balance terminal.
8	PC	Current balance terminal.
9	-STB	GND for Standby.
10	-STB	GND for Standby.

== SIGNAL CONNECTOR USED ==

PART DESCRIPTION	PART NAME	MANUFACT
PIN HEADER	S10B-PH0SS	JST

== MATCHING HOUSINGS, PIN & TOOL ==

PART DESCRIPTION	PART NAME	MANUFACT
SOCKET HOUSING	PHDR-10VS	JST
TERMINAL PINS	SPHD-002T-P0.5(AWG28~24) SPHD-001T-P0.5(AWG26~22)	JST
HAND CRIMPING TOOL	YRS-620(SPHD-002T-P0.5) YC-610R(SPHD-001T-P0.5)	JST

== ACCESSORIES ==

- * TERMINAL COVER 1 -----1
(ATTACHED ON TERMINAL AT SHIPMENT)
- * TERMINAL COVER 2 -----1
(ATTACHED ON TERMINAL AT SHIPMENT)
- * SHORT PIECE -----2
SHORTING +Vm --- +S, -Vm --- -S FOR CN83
SHORTING +R --- +STB, -R --- -STB FOR CN84
(ATTACHED ON CN83, CN84 AT SHIPMENT)

(unit : mm)

MODEL NAME	CUS1500M/RF
------------	-------------

TDK-Lambda

A279-02-01/CUSRF-B