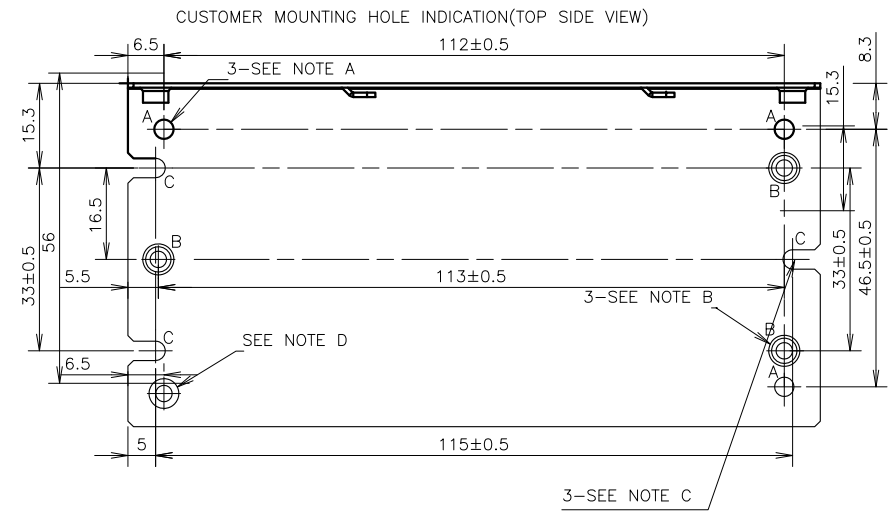
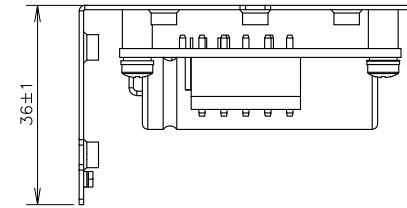
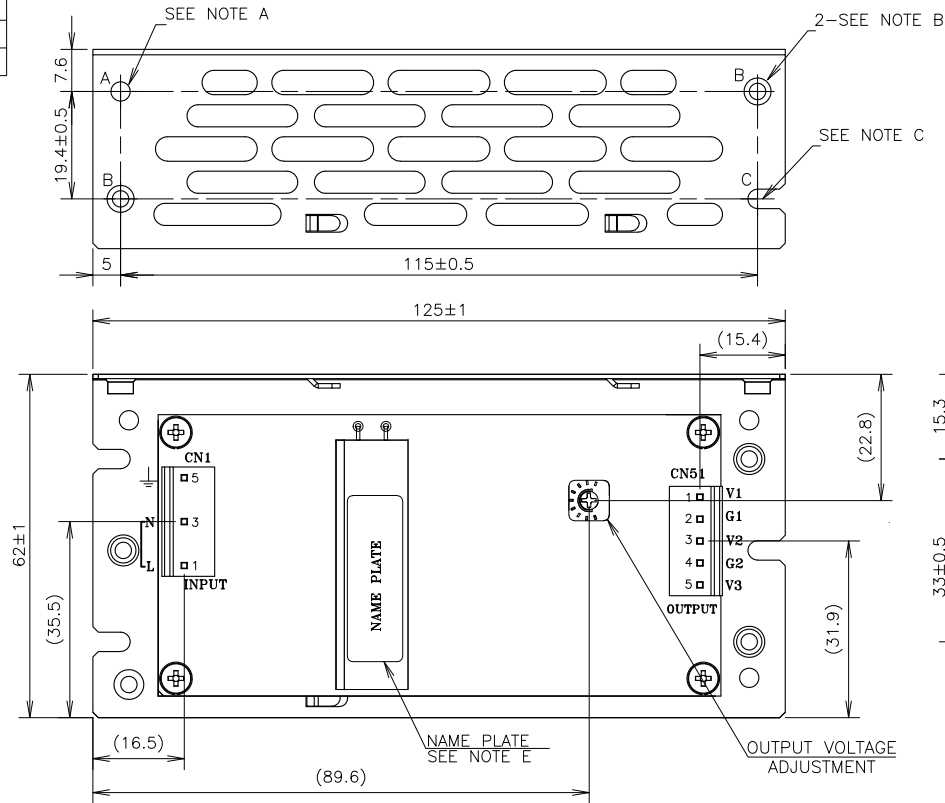


Unless otherwise specified dimensional tolerance as follows:

DIMENSION (mm)	TOLERANCE ± mm
$L \leq 16$	0.2
$16 < L \leq 63$	0.2
$63 < L \leq 250$	0.3
$250 < L$	0.5



CONNECTORS USED :

PART DESCRIPTION	PART NAME	MANUFACTURER	QTY
PIN HEADER (INPUT SIDE CN1)	B3P5-VH(LF)(SN)	J.S.T	1
PIN HEADER (OUTPUT CN51)	B5P-VH(LF)(SN)	J.S.T	1

\*OUTPUT CURRENT OF EACH CONNECTOR PIN MUST BE LESS THAN 5A.

MATCHING HOUSINGS AND PINS(NOT INCLUDED WITH THE PRODUCT):

SOCKET HOUSING (CN1)	VHR-5N	J.S.T	1
SOCKET HOUSING (CN51)	VHR-5N	J.S.T	1
TERMINAL PINS	SVH-21T-P1.1	J.S.T	8
	BVH-41T-P1.1		
HAND CRIMPING TOOL	YC-930R	J.S.T	-
	YC-931R		

NOTE:

- A :  $\phi 3.5$  HOLES FOR CUSTOMER CHASSIS MOUNTING.
- B : M3 TAPPED & EMBOSSED HOLES FOR CUSTOMER CHASSIS MOUNTING.
- C :  $\phi 3.5$  HOLES FOR CUSTOMER CHASSIS MOUNTING.
- D : M3 TAPPED & STANDOFF HOLES FOR FG CONNECTION.
- E : MODEL NAME, INPUT VOLTAGE RANGE, NOMINAL OUTPUT VOLTAGE, NOMINAL OUTPUT CURRENT, PEAK OUTPUT CURRENT AND SAFETY MARKING(FOR ONLY APPROVED PRODUCTS)ARE SHOWN ON THE NAME PLATE IN ACCORDANCE WITH THE SPECIFICATIONS. COUNTRY OF MANUFACTURE WILL BE SHOWN ON THE NAME PLATE.

(unit : mm)

MODEL NAME	CUT35/L
<b>TDK-Lambda</b>	

CA837-02-01/L-C