

INPUT WIRE

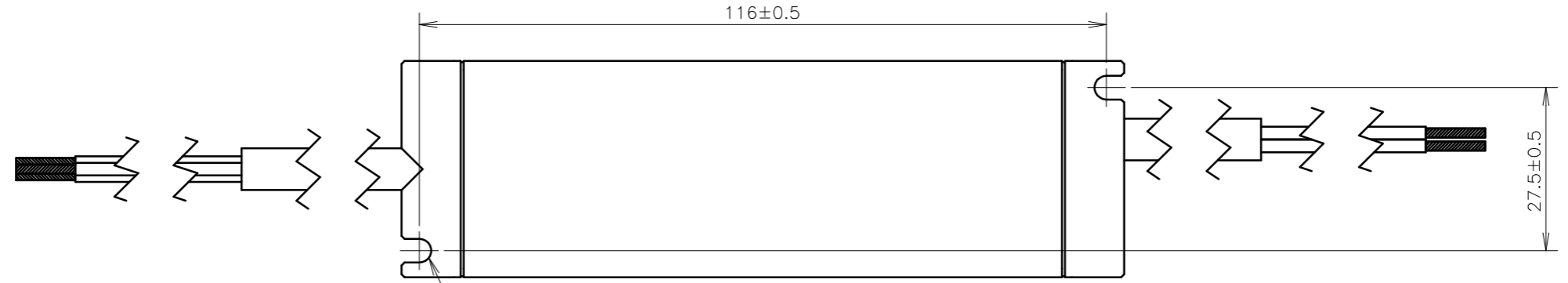
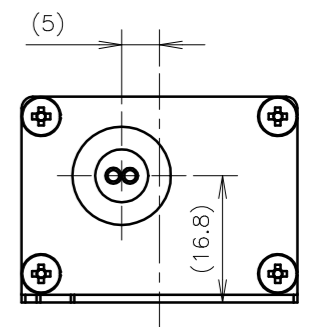
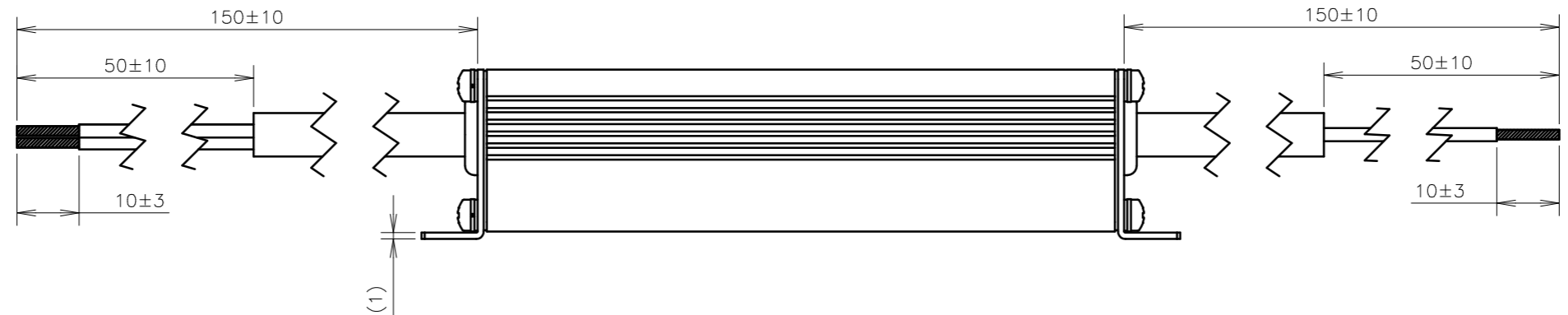
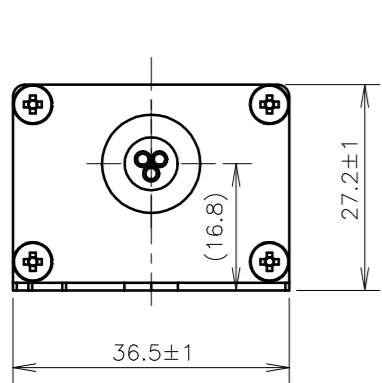
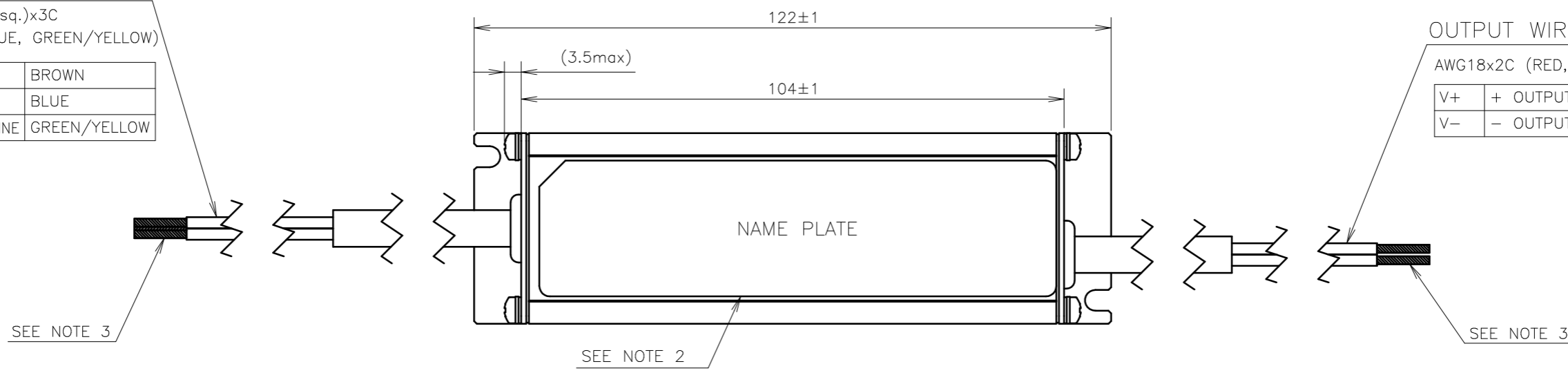
AWG18(0.75sq.)x3C  
(BROWN, BLUE, GREEN/YELLOW)

AC L	LIVE LINE	BROWN
AC N	NEUTRAL LINE	BLUE
⏚	FUNCTIONAL EARTH LINE	GREEN/YELLOW

OUTPUT WIRE

AWG18x2C (RED, BLACK)

V+	+ OUTPUT LINE	RED
V-	- OUTPUT LINE	BLACK



2-R2.0 SLOT FOR MOUNTING (SEE NOTE 1)

NOTE:

- 1 2xR2.0 SLOT ARE FOR CUSTOMER MOUNTING HOLES. ALL MUST BE SCREWED IN ORDER TO CONFORM THE VIBRATION SPEC.
- 2 MODEL NAME, INPUT VOLTAGE RANGE, NOMINAL OUTPUT VOLTAGE, MAXIMUM OUTPUT CURRENT, COUNTRY OF MANUFACTURE AND SAFETY MARKING (FOR ONLY APPROVED PRODUCTS) ARE SHOWN HERE IN ACCORDANCE WITH THE SPECIFICATIONS.
- 3 INPUT WIRE AND OUTPUT WIRE ARE SOLDER FINISHED.

(unit : mm)

MODEL NAME	ELV12
<b>TDK-Lambda</b>	
V002-02-01G	