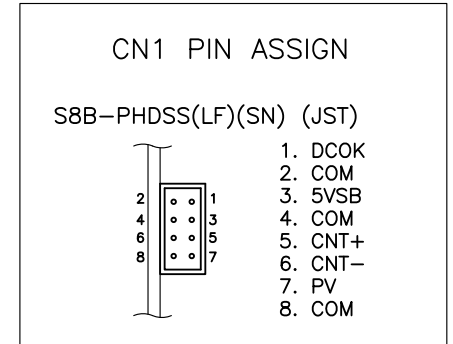


SIGNAL CONNECTOR INFORMATION

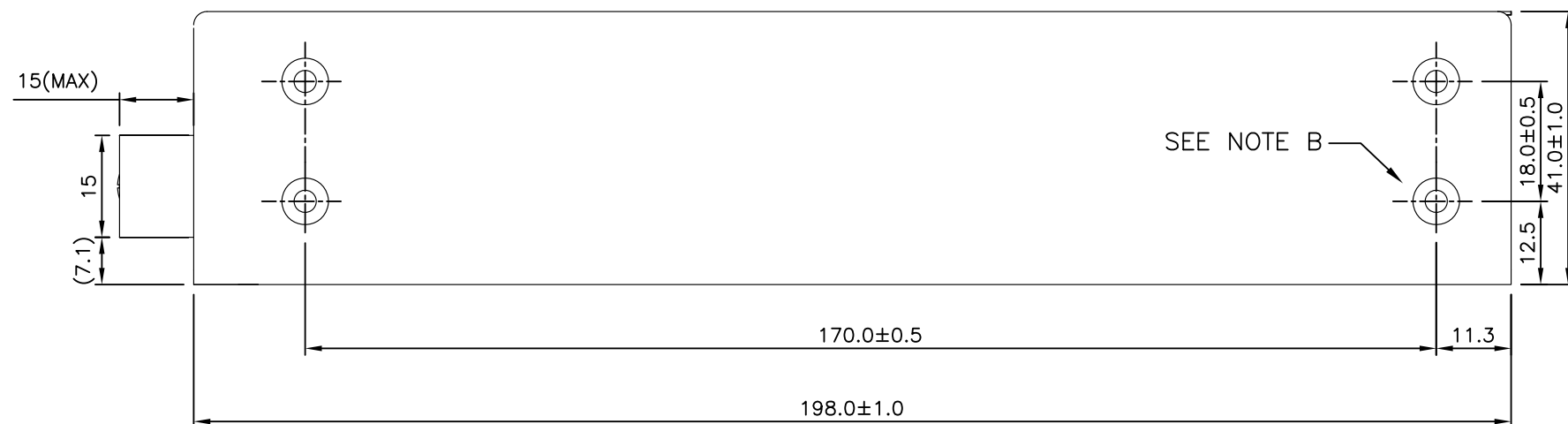


SIGNAL CONNECTOR USED

PART DESCRIPTION	PART NAME	MANUFACT
PIN HEADER	S8B-PHDSS(LF)(SN) (CN1)	JST

MATCHING HOUSINGS, PIN & TOOL

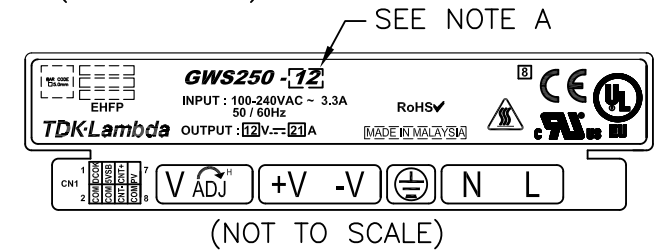
PART DESCRIPTION	PART NAME	MANUFACT
SOCKET HOUSING	PHDR-8VS (CN1)	JST
TERMINAL PINS	SPHD-002T-P0.5 OR SPHD-001T-P0.5	JST
HAND CRIMPING TOOL	YRS-620(SPHD-002T-P0.5) YC-610R(SPHD-001T-P0.5)	JST



==ACCESSORIES==

* SHORT PIECE ----- 1
SHORTING CNT+ ->CNT-
(ATTACHED ON CN1 AT SHIPMENT)

NAME PLATE :
(SEE NOTE C)



NOTES

- A. MODEL NAME , INPUT VOLTAGE RANGE , NOMINAL OUTPUT VOLTAGE , MAXIMUM OUTPUT CURRENT & COUNTRY OF MANUFACTURE ARE SHOWN IN ACCORDANCE WITH THE SPECIFICATION.
- B. M4 TAPPED , EMBOSSED & COUNTERSUNK HOLES (8) FOR CUSTOMER CHASSIS MOUNTING. SCREWS MUST NOT PROTRUDE INTO POWER SUPPLY BY MORE THAN 5mm.
- C. NAME PLATE DETAILS SHOWN HERE IS FOR REFERENCE ONLY. PLEASE SEE LATEST RELEASE FOR DETAILS.

(unit : mm)
MODEL GWS250
TDK-Lambda
 PA589-02-01D