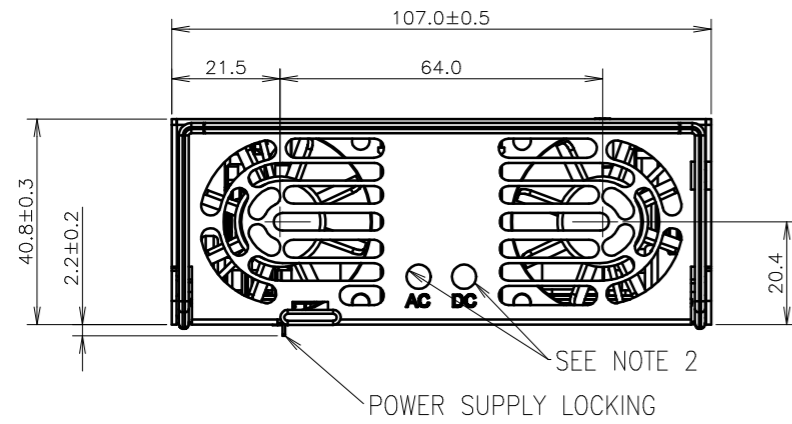
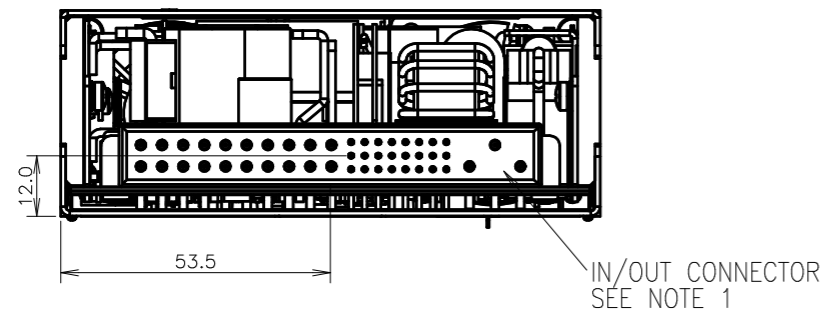


TOLERANCES/±	
1-16mm	0.1
16.1-63mm	0.2
63.1-250mm	0.3
250.1-1000mm	0.5
ANGLE	±0.3°

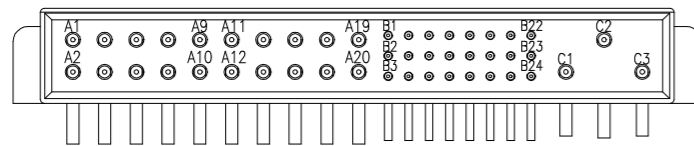
FRONT VIEW



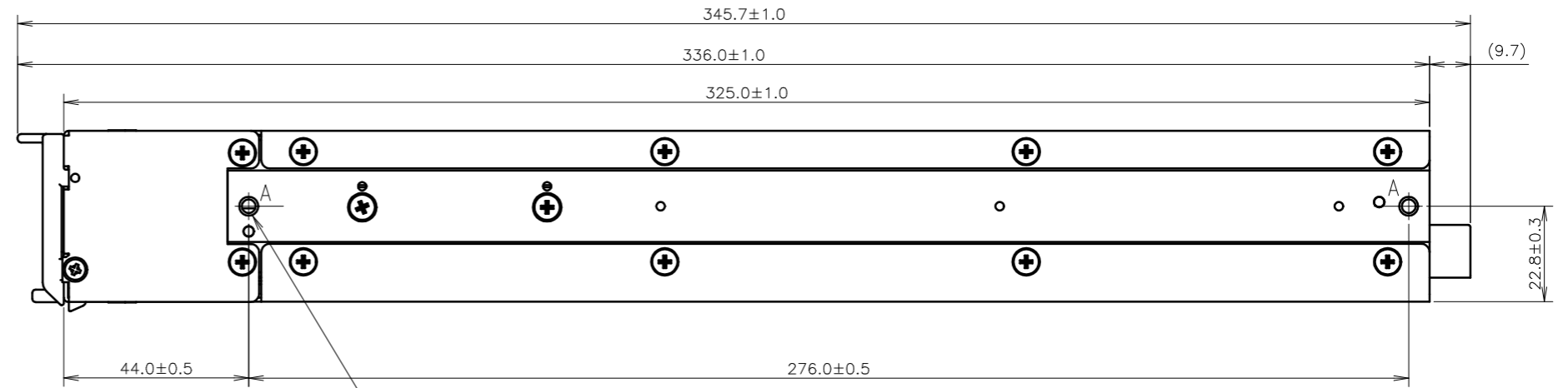
REAR VIEW



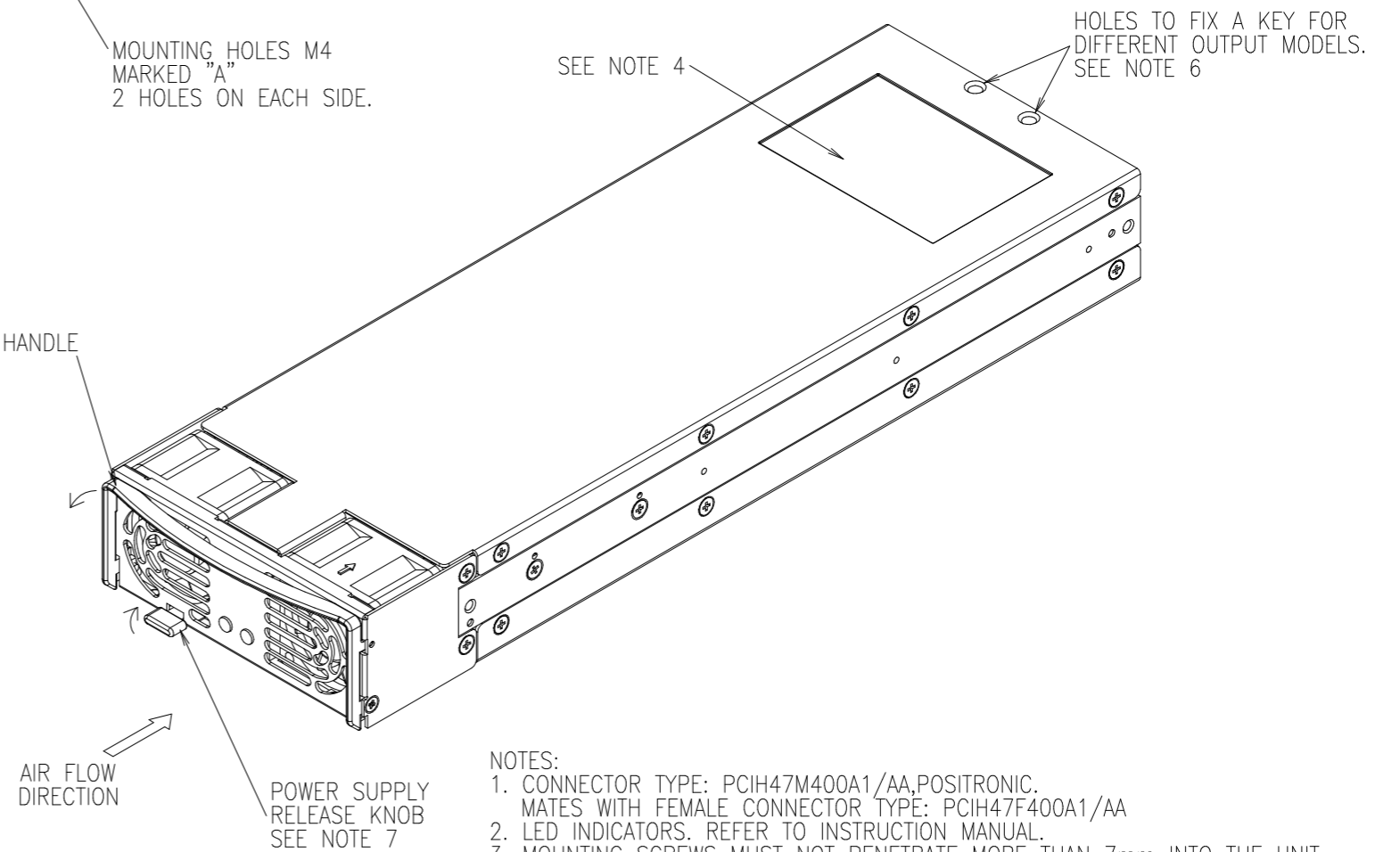
IN/OUT CONNECTOR REAR VIEW



PIN No.	FUNCTION	PIN No.	FUNCTION
A1-A10	-VO	B14	A1 (PM BUS)
A11-A20	+VO	B15	DC_OK
B1	SIGNAL_RTN	B16	A0 (PM BUS)
B2	PS_EXIST	B17	SDA (PM BUS)
B3	+12V_AUX_OUT	B18	TEMP_ALM_SR
B4	-SENSE	B19	V_REF_EXT
B5	A2 (PM BUS)	B20	SMB_ALERT (PM BUS)
B6	CS	B21	AC_FAIL_OUT
B7	ENABLE	B22	5V_Trim
B8	V_PROG	B23	NC
B9	+SENSE_IN	B24	NC
B10	A3 (PM BUS)	C1	GND
B11	I_PROG	C2	NEUTRAL
B12	INHIBIT	C3	LINE
B13	SCL (PM BUS)		



EXTRACTION HANDLE SEE NOTE 7



NOTES:

- CONNECTOR TYPE: PCIH47M400A1/AA,POSITRONIC. MATES WITH FEMALE CONNECTOR TYPE: PCIH47F400A1/AA
- LED INDICATORS. REFER TO INSTRUCTION MANUAL.
- MOUNTING SCREWS MUST NOT PENETRATE MORE THAN 7mm INTO THE UNIT.
- LABEL WITH MODEL NAME, INPUT AND OUTPUT RATING, SAFETY APPROVAL SYMBOLS AND PLACE FOR DATA CODE AND EU REPRESENTATIVE ADDRESS LABEL.
- ALLOW MINIMUM 50 mm OF FREE AIR OUTLET AT THE REAR OF THE UNIT. DO NOT OBSTRUCT AIR FLOW TO THE FRONT PANEL.
- REFER TO INSTRUCTION MANUAL FOR SETTING DETAILS.
- TO EXTRACT THE POWER SUPPLY, ELEVATE THE RELEASE KNOB AND PULL THE EXTRACTION HANDLE.

(unit : mm)

MODEL NAME	HFE2500
TDK-Lambda	