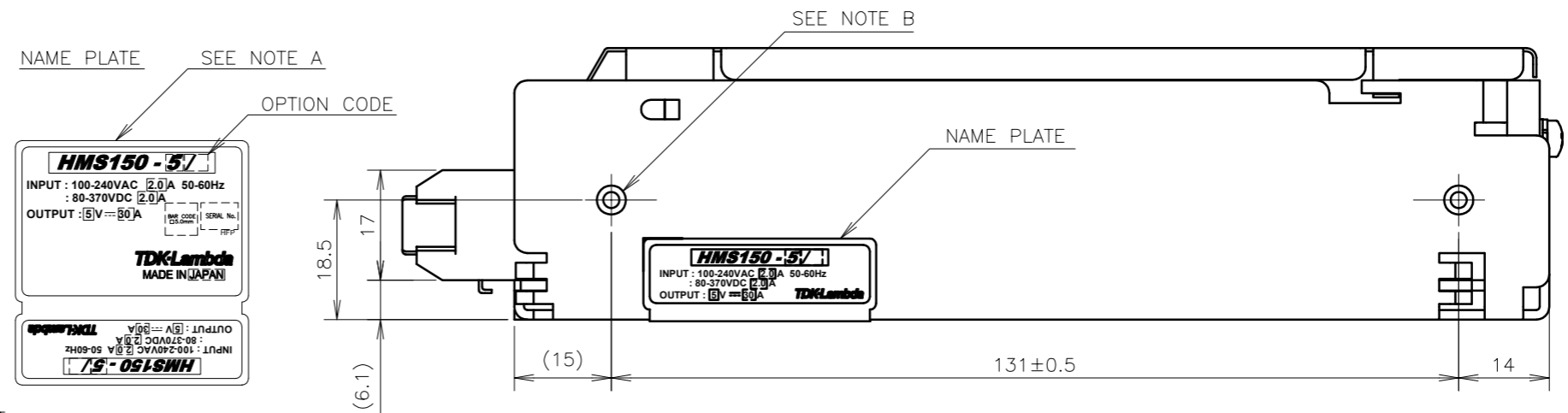


NOTES

- A : MODEL NAME, OPTION CODE, INPUT VOLTAGE RANGE, NOMINAL OUTPUT VOLTAGE, MAXIMUM OUTPUT CURRENT AND COUNTRY OF MANUFACTURE ARE SHOWN HERE IN ACCORDANCE WITH THE SPECIFICATIONS.
- B : M3 EMBOSSED, TAPPED AND COUNTERSUNK HOLES (4) FOR CUSTOMER CHASSIS MOUNTING. SCREWS MUST NOT PROTRUDE INTO POWER SUPPLY BY MORE THAN 6mm.
- C: REMOTE ON/OFF CONTROL CONNECTOR --- OPTION B2B-XH-AM (JST)
 - MATCHING HOUSING : XHP-2 (JST)
 - MATCHING TERMINAL PIN : BXH-001T-P0.6 (JST) OR SXH-001T-P0.6 (JST)
 - HAND CRIMPING TOOL : YC-110R (JST) OR YRS-110 (JST)
 - MATCHING HOUSING AND TERMINAL PIN --- NOT INCLUDED WITH THE PRODUCT



ACCESSORIES

* SHORT PIECE (NET 2) FOR SHORTING PURPOSE (+S~+V, -S~-V) : MOUNTED AT TIME OF SHIPMENT.

OPTIONAL MODELS

MODEL	REMOTE ON/OFF CONTROL
HMS150-*	—
HMS150-*[R]	○

(unit : mm)

MODEL NAME	HMS150
TDK-Lambda	
A278-02-01A	