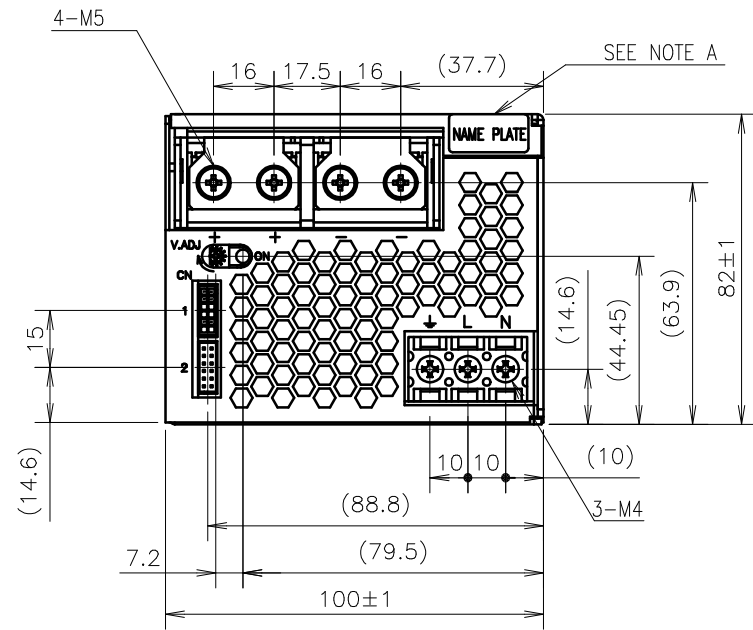
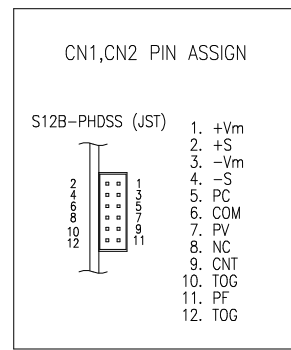


SIGNAL CONNECTOR INFORMATION



== ACCESSORIES ==

\* COVER FOR BARRIER TERMINAL STRIP -----1  
(ATTACHED ON TERMINAL AT SHIPMENT)

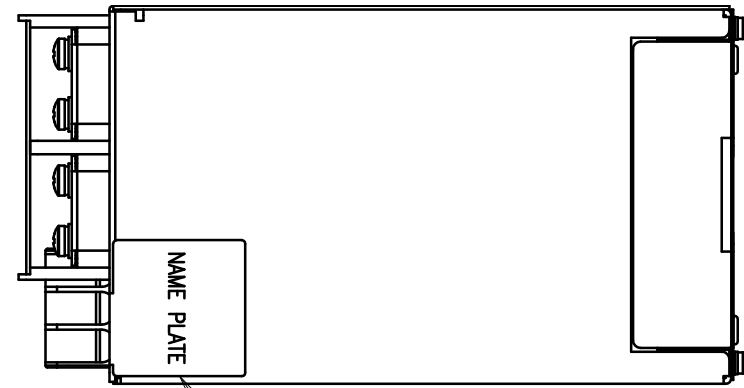
\* SHORT PIECE -----1  
SHORTING +Vm — +S, -Vm — -S, CNT — TOG  
(ATTACHED ON CN1 AT SHIPMENT)

== SIGNAL CONNECTOR USED ==

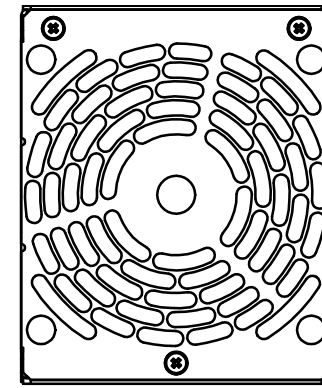
PART DESCRIPTION	PART NAME	MANUFACT
PIN HEADER	S12B-PHDSS	JST

== MATCHING HOUSINGS , PINS & TOOL ==

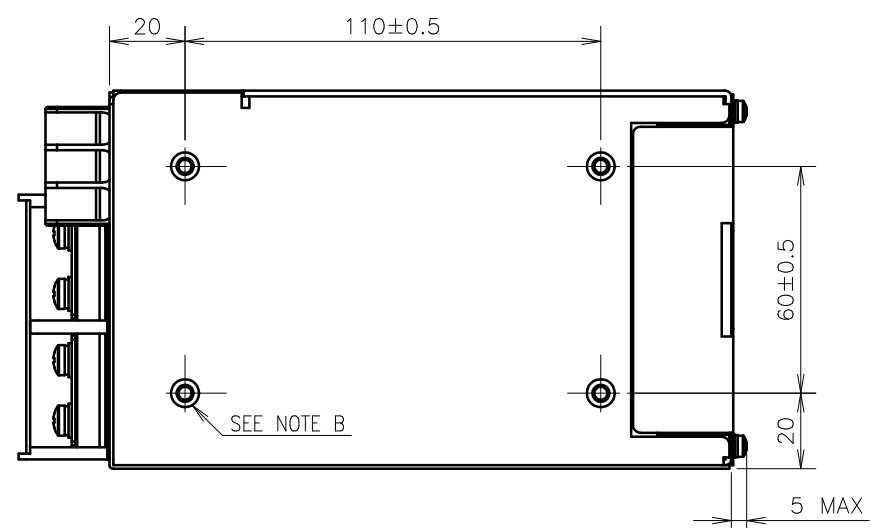
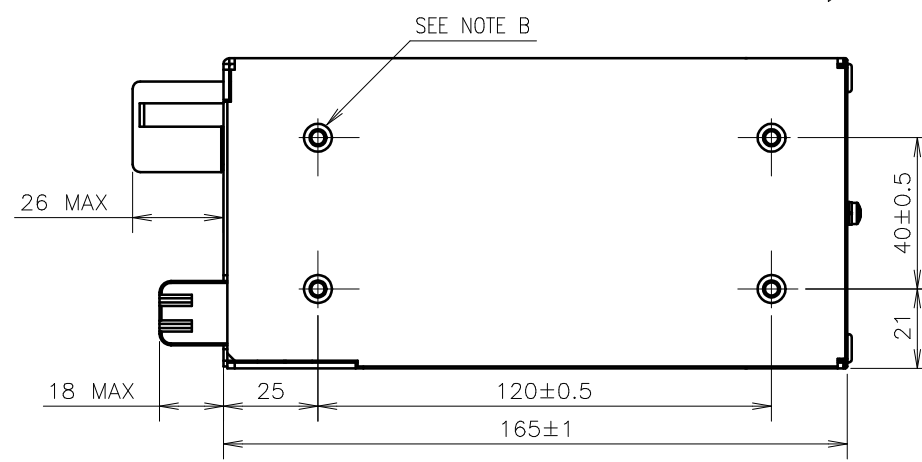
PART DESCRIPTION	PART NAME	MANUFACT
SOCKET HOUSING	PHDR-12VS	JST
TERMINAL PINS	SPHD-002T-P0.5(AWG28~24) SPHD-001T-P0.5(AWG26~22)	JST
HAND CRIMPING TOOL	YRS-620(SPHD-002T-P0.5) YC-610R(SPHD-001T-P0.5)	JST



SEE NOTE A



AIR FLOW →



== NOTES ==

A: MODEL NAME, INPUT VOLTAGE RANGE, NOMINAL OUTPUT VOLTAGE, MAXIMUM OUTPUT CURRENT, COUNTRY OF MANUFACTURE AND SAFETY MARKING (FOR ONLY APPROVED PRODUCTS) ARE SHOWN HERE IN ACCORDANCE WITH THE SPECIFICATIONS.

B : M4 TAPPED HOLES (8) FOR CUSTOMER CHASSIS MOUNTING. (SCREW PENETRATION DEPTH 6m/m MAX.)

(unit : mm)

MODEL NAME	HWS600/PV
<b>TDK-Lambda</b>	

A232-02-01/PV-C