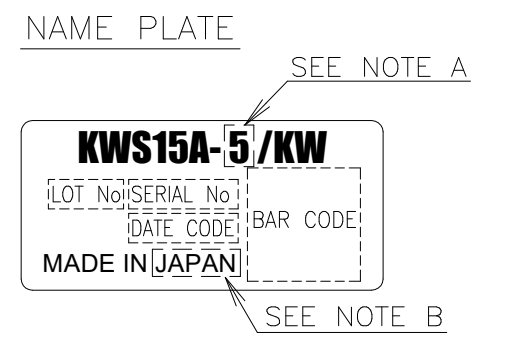
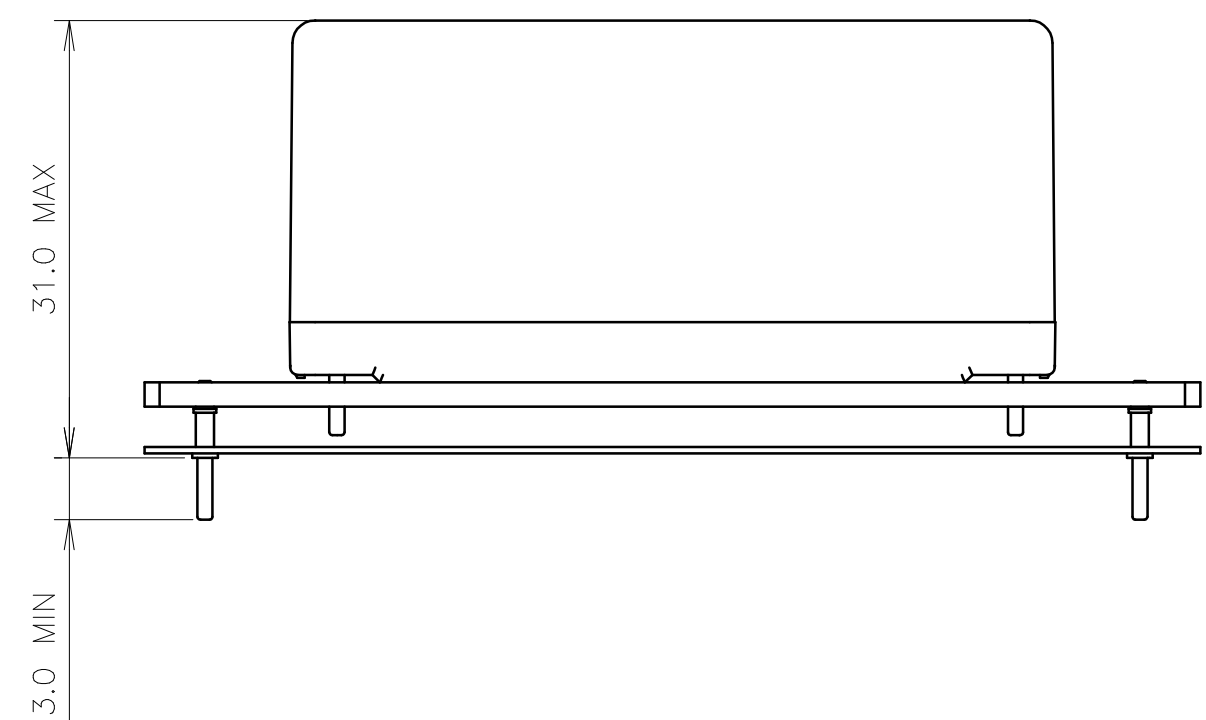


*TERMINAL ASSIGNMENTS

DESCRIPTION	PIN SIZE	MOUNTING HOLE SIZE
INPUT	① AC(N)	φ1±0.1
	② AC(L)	
OUTPUT	③ -V	φ1.5 MAX
	④ +V	



SCALE FOR NAME PLATE : 3/1



NOTES

- A: MODEL NAME, NOMINAL OUTPUT VOLTAGE ARE SHOWN HERE IN ACCORDANCE WITH THE SPECIFICATIONS.
- B: COUNTRY OF MANUFACTURE WILL BE SHOWN HERE.
- C: UNLESS OTHERWISE SPECIFIED DIMENSIONAL TOLERANCE : ±0.3

(unit : mm)

MODEL NAME	KWS15A/KW
TDK-Lambda	
FB006-02-01B	