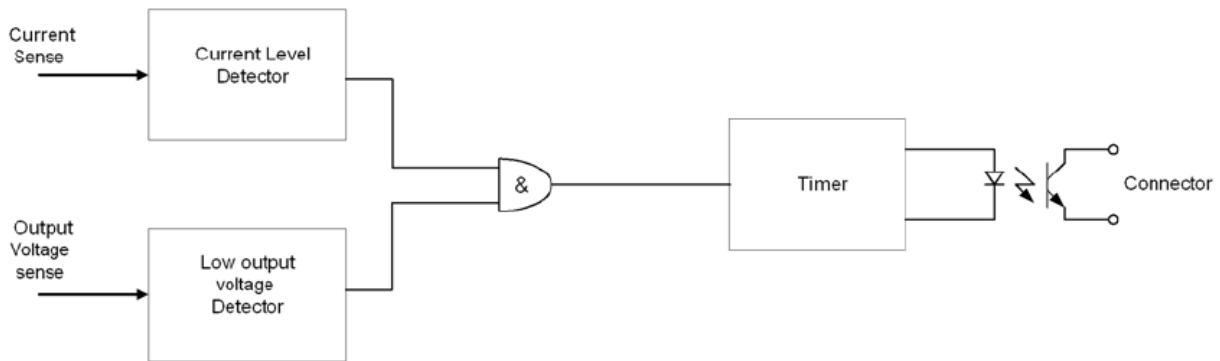


69899: SD – Alpha C.AM Section 7 – CD Option

The CD option is a factory fitted board and is attached to an output module. The option monitors the module output voltage and output current. The option provides an optically isolated output signal if high current and low voltage occur simultaneously for >850mS (e.g in an overcurrent/overload condition).

Alpha CD Option Block Diagram



Specifications

Current Level Detector

Current detect threshold typ >75% of rated current

Low output voltage Detector

Voltage detect threshold typ <25% of nominal

Timer

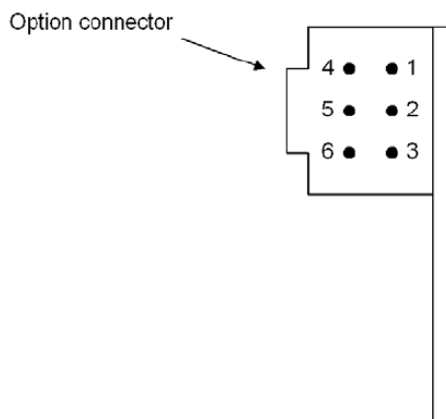
Timer Delay typ 850mS

Optocoupler Output

Max sink current for $V_{ce} < 0.8V$ 1mA max

Max collector - emitter voltage 50V

Connector Pin-out



Option connector pin-out

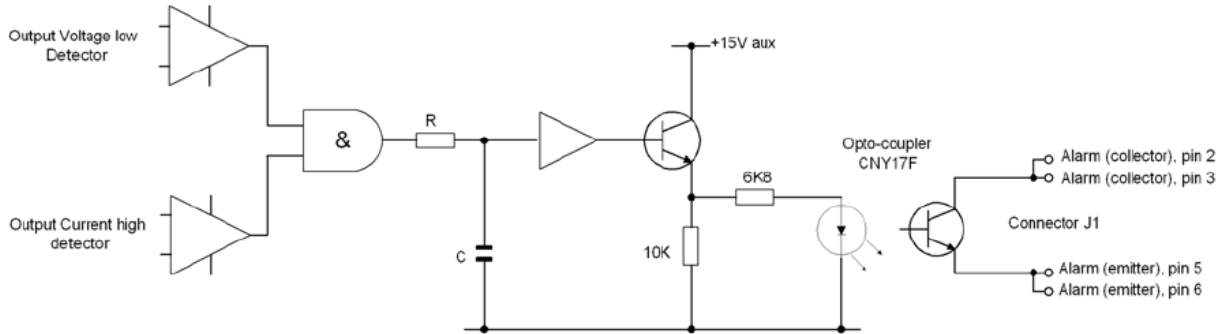
- 1 Not Connected
- 2 Alarm (collector)
- 3 Alarm (collector)
- 4 Not Connected
- 5 Alarm (emitter)
- 6 Alarm (emitter)

Mating connector details
(parts supplied)

6-way housing : Molex 90142-0006

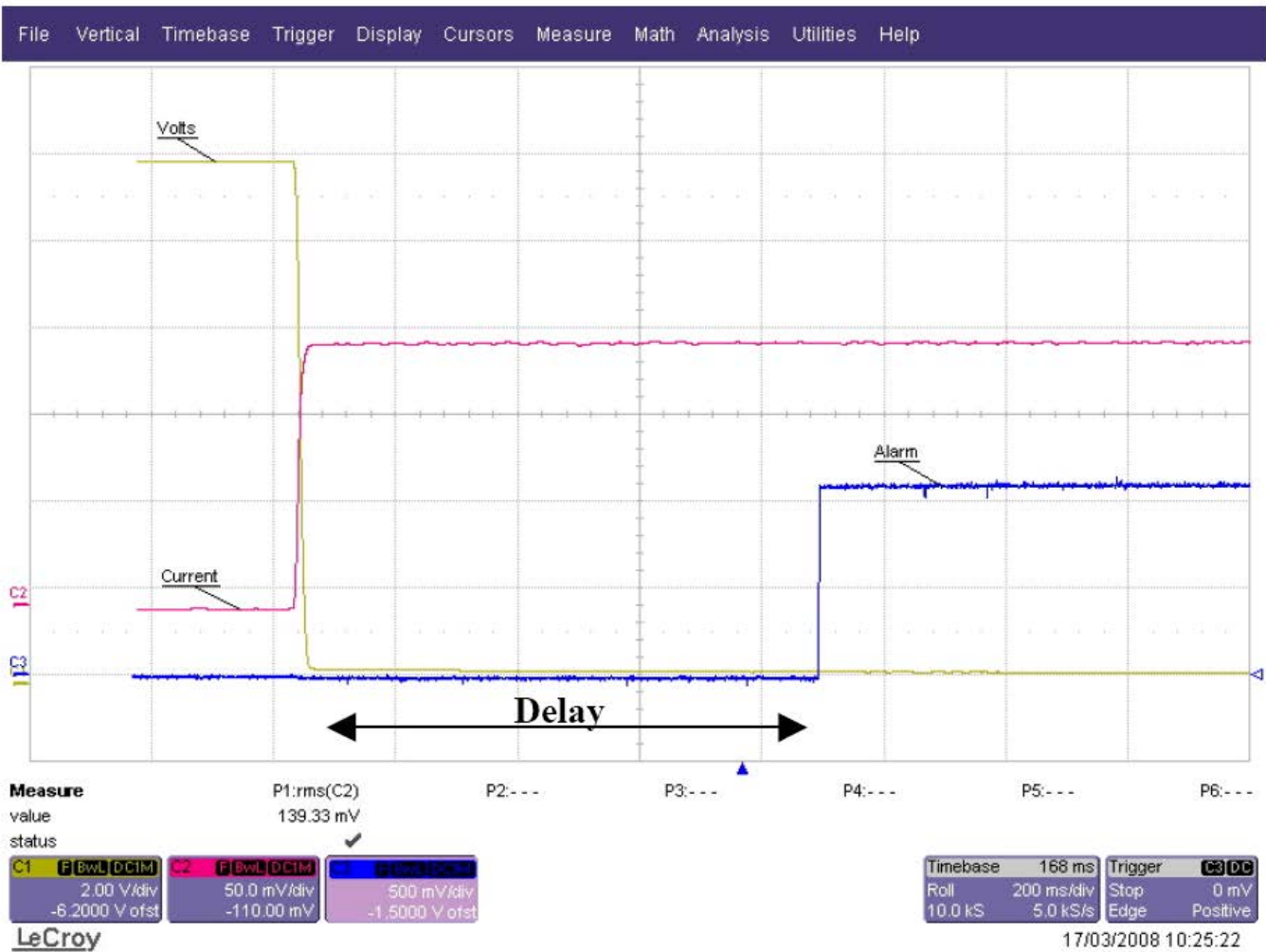
Issue:	1			
Mod:	38410			
Date:	9.4.08			
Owner:	MIS			
MED Support:		MED		

Internal Schematic



Waveforms

Typical Alarm signal response to output overload :-



Issue:	1			
Mod:	38410			
Date:	9.4.08			
Owner:	MIS			
MED Support:		MED		