



**Lambda Americas**  
[www.lambdapower.com](http://www.lambdapower.com)

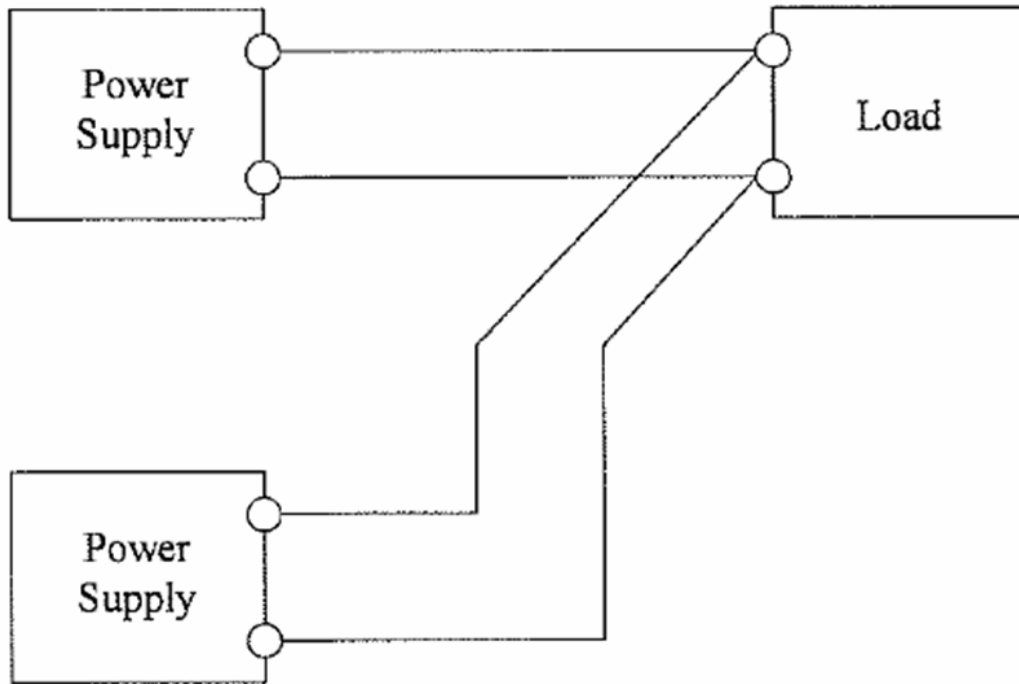
Corporate 3055 Del Sol Blvd., San Diego, CA 92154  
Headquarters Tel: 619.575.4400, Fax: 619.429.1011

Custom Power 45 Fairchild Ave., Suite A, Plainview NY 11803  
Solutions Tel: 516.629.3000, Fax: 516.629.3070

## Application Note

### Connecting DPP480 models in parallel

1. Ensure the units to be connected in parallel are set at the same output voltage
2. Connect the units as shown below. For optimum sharing, please keep the load cables similar in length and gauge.



3. Position the slider switch situated by the voltage adjust control to "parallel" mode
4. Apply power

**Revision 1**  
**December 5, 2006**