

PF1000A-360

SPECIFICATIONS

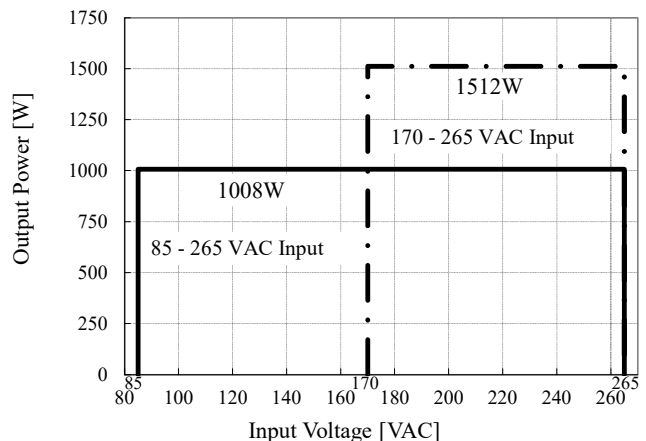
C109-01-01D

ITEMS		MODEL	PF1000A-360	
1	Nominal Output Voltage	V	360	
2	Nominal Input Voltage	V	100 - 240 VAC	200 - 240 VAC
3	Available Input Voltage Range	(*7) V	85 - 265 VAC	170 - 265 VAC
4	Input Voltage Range with PFHC	(*11) V	85 - 255 VAC	170 - 255 VAC
5	Maximum Output Current	A	2.8	4.2
6	Maximum Output Power	W	1008	1512
7	Efficiency (Typ.)	(*1) %	90	94
8	Input Frequency	(*3) Hz	47 - 63	
9	Input Current (Typ.)	(*1) A	11.2	8.0
10	In-rush Current (Typ)	(*2,9) -	30 / 60 A peak	
11	Power Factor (Min.)	(*1) -	0.95	
12	Output Voltage Accuracy	%	±2	
13	Maximum Ripple Voltage	(*2,9) -	20 (Vp-p)	
14	Maximum Line Regulation	(*4) V	5	
15	Maximum Load Regulation	(*5) V	10	
16	Over-Voltage Protection	(*6) V	390 - 420	
17	Over-Temperature Protection	(*6) °C	100 ± 15	
18	Auxiliary Voltage	V	12 - 20	
19	Auxiliary Current (Max.)	mA	10	
20	Parallel Operation	(*9) -	Possible	
21	Series Operation	-	Not Possible	
22	Alarm Signal	(*9) -	IOG (Inverter Operation Good) Signal	
23	Function Signals	(*9) -	ENA (Enable), PC (Parallel Control)	
24	Operating Temperature	-	-20°C - +85°C for the Baseplate , -20°C Min. for the Ambient	
25	Operating Humidity	-	30 - 95 %RH (No Dewdrop)	
26	Storage Temperature	-	-40°C - + 85°C	
27	Storage Humidity	-	10 - 95 %RH (No Dewdrop)	
28	Cooling	(*8,9) -	Conduction Cooled	
29	Temperature Coefficient	-	0.02 %/°C	
30	Withstand Voltage	-	Terminal Pins - Baseplate : 3kVAC for 1min with 20mA Limit	
31	Isolation Resistance	-	More than 100MΩ at 25°C, 70%RH with 500V applying	
32	Vibration	-	At No Operating, 10-55Hz (Sweep for 1minute) Amplitude 0.825mm(p-p) constant (Maximum 49.0m/s ²) X,Y,Z 1hour each	
33	Shock	-	Less than 196.1m/s ² (in Package)	
34	Weight (Typ.)	g	250	
35	Size (W.xH.xD.)	mm	146 x 12.7 x 86 (Refer to the Outline Drawing)	

= NOTES =

- *1. At 100VAC/200VAC and Maximum Output Power.
- *2. Additional Output capacitor, Fuse and In-rush Current Limit Resistor are required.
- *3. For cases where conformance to various safety specs (UL, CSA, IEC) are required, to be described as 50/60 Hz on the name plate.
- *4. At input range with PFHC operation, with constant load.
- *5. No-Load to Full Load, with constant input voltage.
- *6. Inverter Shut-down Method with Manual reset which is to cut off input voltage and cool baseplate temperature.
- *7. Ratings - Refer to the Derating Curve on the right.
- *8. Heatsink has to be Chosen according to Instruction Manual.
- *9. Refer to Instruction Manual for details.
- *10. Refer to C109-01-02_ for the Test Circuit.
- *11. PFHC Range. At 255 - 265 VAC, This module operates as a rectifier.

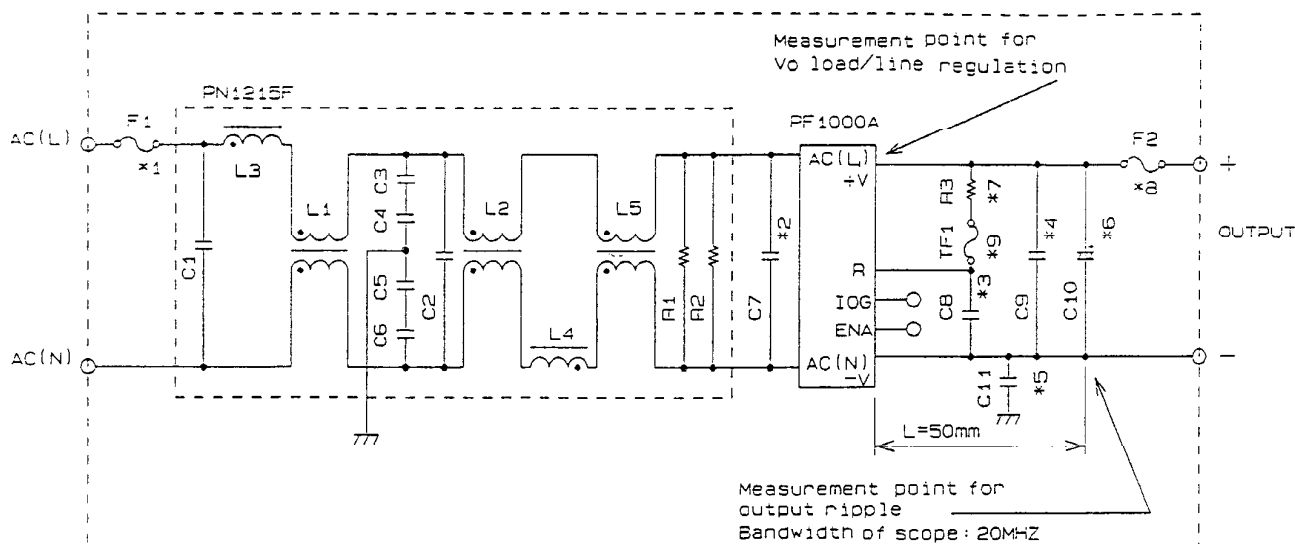
PF1000A-360 Derating Curve
at 85°C Baseplate Temperature



PF1000A-360

BASICAL CONNECTION

C109-01-02



C1	AC250V	0.47uF	C9	630V	0.82uF	L1	2.6mHX2
C2	AC250V	1.5uF	C10	450V	270uFX5	L2	2.6mHX2
C3	AC250V	15000pF	C11	AC400V	4700pF	L3	120uH
C4	AC250V	15000pF	F1	AC250V	20A	L4	120uH
C5	AC250V	15000pF	F2	DC600V	6A	L5	16uHX2
C6	AC250V	15000pF	TF1	THERMAL FUSE		R1	1/2W 470konm
C7	AC250V	1uFX3		130 °C 250V 2A		R2	1/2W 470konm
C8	630V	0.82uF X2				R3	10w 5.1ohm

= NOTE =

- *1. Use an external fuse of fast blow type for each unit.
- *2. The allowable ripple current of capacitor must be more than $3A(\text{rms})/\text{pc}$. Put this (these) capacitor(s) near the terminal as close as possible.
- *3. Same as *2
- *4. Same as *2
- *5. This capacitor is for EMC, determined by the characteristics of the leakage current, EMC(EMI, EMS) and output noise of the whole system.
- *6. The maximum capacitance that can be put is less than 2000uF(Rated Capacitance). Prohibit the connection of capacitance which is more then above, else it will lead the module to defect.
- *7. The inrush current at AC throw in can be suppressed by the external resistor connected between the R and +V terminals.
- *8. Use an external fuse of fast blow type for protecting the load.
- *9. Thermal fuse(TF1) and R3 need to have good thermal contact.
- *10. Refer to instruction manual for further details.