

**RWS1000B/I**

SPECIFICATIONS(1/2)

A273-01-01/I

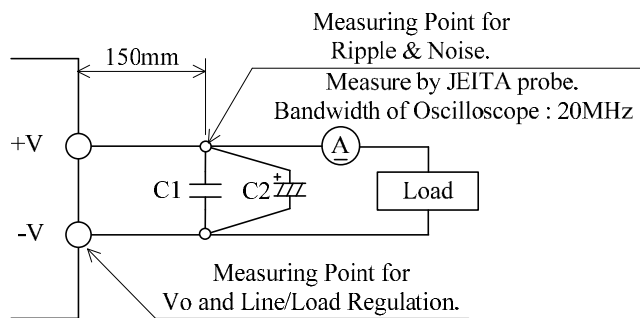
ITEMS		MODEL	RWS1000B-12	RWS1000B-24	RWS1000B-48	
-	Part No	-	RWS1000B-12/I	RWS1000B-24/I	RWS1000B-48/I	
1	Nominal Output Voltage	V	12	24	48	
2	Maximum Output Current	A	84	42	21	
3	Maximum Output Power	W	1008	1008	1008	
4	Efficiency (Typ) (*13)	100/115VAC	%	81/82	84/85	83/85
		200/230VAC	%	85/85	88/88	87/88
5	Input Voltage Range	(*2)(*11)	-	85 - 265VAC (47 - 63Hz) or 120 - 340VDC		
6	Input Current (Typ) (*13)	100/115VAC	A	13 / 11		
		200/230VAC	A	7 / 5.5		
7	Inrush Current (Typ)	(*1)(*3)	-	20A / 40A at 1st Inrush , 60A / 60A at 2nd Inrush		
8	PFHC	-	Designed to meet IEC61000-3-2			
9	Power Factor (Typ)	(*1)	-	0.98/0.95		
10	Output Voltage Range	V	10.2 - 13.8	20.4 - 28.8	40.8 - 57.6	
11	Maximum Ripple & Noise (*4)	0≤Ta≤60°C	mV	150	180	300
		-20≤Ta<0°C	mV	180	200	400
12	Maximum Line Regulation	(*5)(*11)	mV	48	96	192
13	Maximum Load Regulation	(*6)(*11)	mV	96	144	288
14	Temperature Coefficient	-	Less than 0.02% / °C			
15	Over Current Protection	(*7)	A	88.2 ≤	44.1 ≤	22.1 ≤
16	Over Voltage Protection	(*8)	V	14.4 - 17.4	30.0 - 36.0	60.0 - 72.0
17	Hold-up Time (Typ)	(*1)	-	20ms		
18	Leakage Current	(*9)	-	Less than 1.2mA		
19	Remote Sensing	(*14)	-	Possible		
20	Monitoring Signal	(*14)	-	Option		
21	Remote Control	(*14)	-	Option		
22	Parallel Operation	(*14)	-	Option		
23	Series Operation	(*14)	-	Possible		
24	Operating Temperature	(*10)(*11)	-	-20 to +60°C (-20 to +50°C:100%, +60°C:60%)		
25	Operating Humidity	-	20 to 90%RH (No Condensing)			
26	Storage Temperature	-	-30 to +75°C			
27	Storage Humidity	-	10 to 90%RH (No Condensing)			
28	Cooling	-	Forced Air Cooling			
29	Withstand Voltage	-	Input - FG : 2kVAC (20mA), Input - Output : 4kVAC (20mA) Output - FG : 1.5kVAC (20mA) for 1min			
30	Isolation Resistance	-	More than 100MΩ at 25°C and 70%RH Output to Chassis : 500VDC			
31	Vibration	-	At no operating, 10 - 55Hz (Sweep for 1min) 19.6m/s <sup>2</sup> Constant, X,Y,Z 1hour each.			
32	Shock	-	Less than 196m/s <sup>2</sup>			
33	Safety	-	Approved by UL62368-1, CSA62368-1, EN62368-1, UL60950-1, CSA60950-1, IS13252 (Part 1). Designed to meet Den-an Appendix 12 (J60950-1).			
34	Line DIP	-	Designed to meet SEMI-F47 (200VAC Line only)			
35	Conducted Emission	(*12)	-	Designed to meet EN55011/EN55032-B, FCC-B, VCCI-B		
36	Radiated Emission	(*12)	-	Designed to meet EN55011/EN55032-B, FCC-B, VCCI-B		
37	Immunity	(*12)	-	Designed to meet IEC61000-6-2 IEC61000-4-2, -3, -4, -5, -6, -8, -11		
38	Weight (Typ)	g	2000			
39	Size (W x H x D)	mm	127 x 63 x 198 ( Refer to Outline Drawing )			

\*Read instruction manual carefully, before using the power supply unit.

=NOTES=

- \*1. At 100VAC/200VAC, Ta=25°C, nominal output voltage and maximum output power.
- \*2. For cases where conformance to various safety specs (UL, CSA, EN) are required, to be described as 100 - 240VAC(50-60Hz).
- \*3. Not applicable for the in-rush current to Noise Filter for less than 0.2ms.
- \*4. Please refer to Fig. A for measurement of Vo, line & load regulation and ripple voltage.
- \*5. 85 - 265VAC, constant load.
- \*6. No load-Full load, constant input voltage.
- \*7. Constant current limit with automatic recovery. Over current condition for more than 5 seconds will cause the output to shut down. Avoid to operate at over load or short circuit condition.
- \*8. OVP circuit will shut down output, manual reset (Re power on).
- \*9. Measured by the each measuring method of UL, CSA, EN and Den-an(at 60Hz), Ta=25°C.
- \*10. Output Derating
  - Refer to LOAD vs. AMBIENT TEMPERATURE(A273-01-02\_).
  - Load (%) is percent of maximum output power or maximum output current, do not exceed its derating of maximum load.
- \*11. Output derating needed when input voltage less than 90VAC. Refer to LOAD vs. INPUT VOLTAGE(A273-01-02\_).
- \*12. The power supply is considered a component which will be installed into a final equipment.  
The final equipment should be re-evaluated that it meets EMC directives.
- \*13. Ta=25°C, nominal output voltage and maximum output power.
- \*14. Refer to instruction manual (A273-04-01\_).

Fig.A



C1 : Film Cap. 0.1μF  
C2 : Elect. Cap. 47μF