

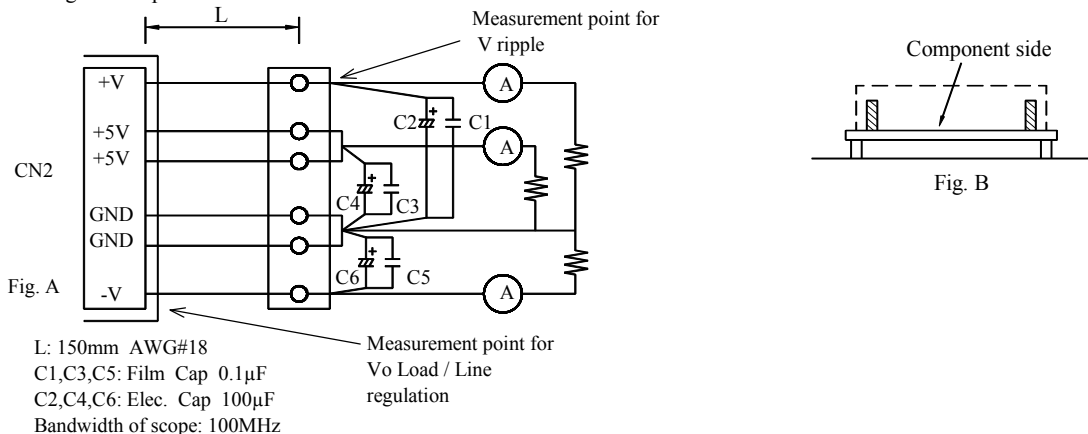
SWT30 SPECIFICATION

CA701-01-01F

| ITEMS | | MODEL | SWT30-522 | | | SWT30-525 | | | SWT30-5FF | | |
|-------|-------------------------------|-------|--|-----|-----|------------|-----|-----|------------|-----|-----|
| | | | CH1 | CH2 | CH3 | CH1 | CH2 | CH3 | CH1 | CH2 | CH3 |
| 1 | NOMINAL OUTPUT VOLTAGE | V | +5 | +12 | -12 | +5 | +12 | -5 | +5 | +15 | -15 |
| 2 | MIN. OUTPUT CURRENT | A | 0.2 | 0.4 | 0 | 0.2 | 0.4 | 0 | 0.2 | 0.4 | 0 |
| 3 | MAX. OUTPUT CURRENT | A | 2 | 1.5 | 0.3 | 2 | 1.5 | 0.3 | 2 | 1 | 0.3 |
| 4 | PEAK OUTPUT CURRENT (*10) | A | 3 | 3 | - | 3 | 3 | - | 3 | 2.2 | - |
| 5 | MAX. OUTPUT POWER (PEAK) | W | 31.6(49.6) | | | 29.5(47.5) | | | 29.5(47.5) | | |
| 6 | EFFICIENCY (TYP) (* 1) | - | 70% | | | 70% | | | 70% | | |
| 7 | INPUT VOLTAGE RANGE (* 2) | - | AC85~265V (Continuously), 47 ~ 63Hz / 110~340VDC | | | | | | | | |
| 8 | INPUT CURRENT (TYP) (* 1) | - | 0.90A(Vin=100VAC) / 0.45A(Vin=200VAC) | | | | | | | | |
| 9 | INRUSH CURRENT (TYP) | - | 15A / 100VAC, 30A / 200VAC (cold start, Ta=25°C) | | | | | | | | |
| 10 | OUTPUT VOLTAGE | - | CH1 +5V fixed, CH2,3 fixed Shipment condition: CH1: ±1%, CH2(+12V): ±3%,CH2(+15V):±5%, CH3: ±5% | | | | | | | | |
| 11 | MAX. RIPPLE & NOISE (* 3) | - | ±5V: 120mV; ±12V: 150mV; ±15V: 150 mV | | | | | | | | |
| 12 | MAX. LINE REGULATION (*3,4) | - | CH1:1% , CH2: 2% , CH3: 1% | | | | | | | | |
| 13 | MAX. LOAD REGULATION (*3,5) | - | CH1:2% , CH2: 4% , CH3: 2% | | | | | | | | |
| 14 | MAX. TEMPERATURE DRIFT (*3,6) | - | 0.04%/°C | | | | | | | | |
| 15 | OVER CURRENT PROTECTION (* 7) | - | Automatic recovery, O.C.P point : 170% ~ | | | | | | | | |
| 16 | OVER VOLTAGE PROTECTION (* 8) | - | 6V ~ (CH1 only) | | | | | | | | |
| 17 | HOLD - UP TIME (TYP) (* 1) | - | 17ms (Input 100 VAC) | | | | | | | | |
| 18 | OPERATING TEMPERATURE (* 9) | - | Convection cooling 0~50°C:100% load; 60°C: 70% load | | | | | | | | |
| 19 | OPERATING HUMIDITY | - | 30%~90%RH | | | | | | | | |
| 20 | STORAGE TEMPERATURE | - | -20°C ~ +85°C | | | | | | | | |
| 21 | STORAGE HUMIDITY | - | 10%~95%RH | | | | | | | | |
| 22 | COOLING | - | Convection cooling | | | | | | | | |
| 23 | EMI | - | Conform to FCC-B, VCCI-2, EN55022B | | | | | | | | |
| 24 | WITHSTAND VOLTAGE | - | I/P-O/P:3kVAC(20mA), I/P-FG:2.5kVAC(20mA), O/P-FG:500VAC(100mA) for 1min | | | | | | | | |
| 25 | ISOLATION RESISTANCE | - | More than 100MΩ at Ta=25°C and 70%RH, Output - FG 500VDC | | | | | | | | |
| 26 | VIBRATION | - | 10 - 55Hz Amplitude (sweep 1min) Less than 19.6m/s ² X ,Y ,Z 1Hr each | | | | | | | | |
| 27 | SHOCK | - | Less than 196.1m/s ² | | | | | | | | |
| 28 | OUTPUT GROUNDING | - | All channels common ground (2 terminals) | | | | | | | | |
| 29 | SAFETY | - | Conform to UL60950-1, CSA60950-1, EN60950-1, DENAN | | | | | | | | |
| 30 | WEIGHT | - | 230g | | | | | | | | |
| 31 | SIZE (W*D*H) | m/m | 76.2 x 127.0 x 30.5 | | | | | | | | |
| | | inch | 3.00 x 5.00 x 1.20 (2.55 x 4.55 mounting hole Φ 3.5mm) | | | | | | | | |

NOTES:

- *1. At 100VAC, 200VAC and MAX. OUTPUT POWER (Convection cooling), Ta=25°C.
- *2. For cases where conformance to various safety specs (UL,CSA, EN) are required to be described as 100~120VAC, 200~240VAC, 50/60 Hz on name plate.
- *3. Please refer to Fig A for measurement determination of line & load regulation and output ripple voltage.
(Measure with JEITA RC-9131 probe)
- *4. From 85~132VAC / 170~265VAC, constant load.
- *5. From Min. load - Full load (Maximum power), constant input voltage.
- *6. From 0°C ~ +50°C, constant input voltage and load.
- *7. Current limiting with automatic recovery. Avoid to operate over load or dead short for more than 30 seconds.
- *8. Over voltage clamping by zener diode.
- *9. At standard mounting method, Fig B.
- *10. Peak current operation is less than 10 sec. with duty factor less than 30%. In addition, it does not has to satisfy the total regulation specification.



SWT30

OUTPUT DERATING

CA701-01-03A

| Ta (°C) | LOADING CONDITION (%) | | | | |
|---------|-----------------------|------------|------------|------------|------------|
| | Mounting A | Mounting B | Mounting C | Mounting D | Mounting E |
| 0 | 100 | 100 | 100 | 100 | 100 |
| 20 | 100 | 100 | 100 | 100 | 100 |
| 40 | 100 | 100 | 100 | 100 | 100 |
| 50 | 100 | 75 | 100 | 75 | 75 |
| 60 | 70 | 50 | 70 | 50 | 50 |

