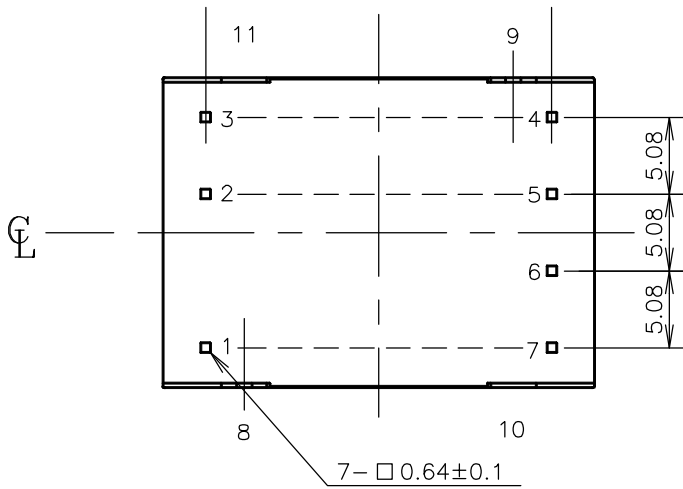
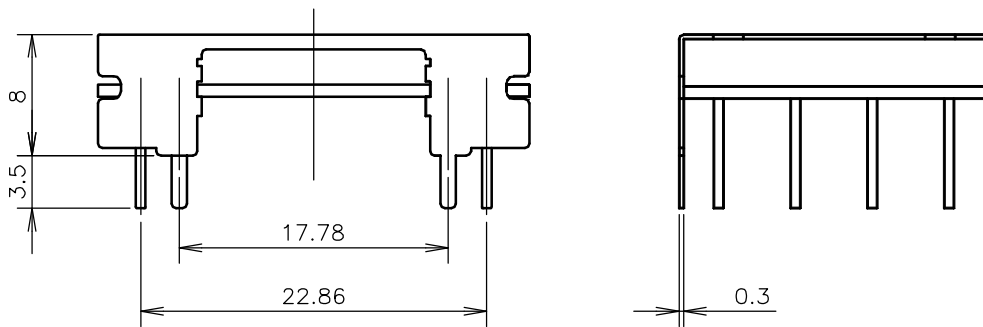
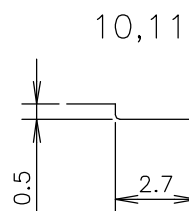
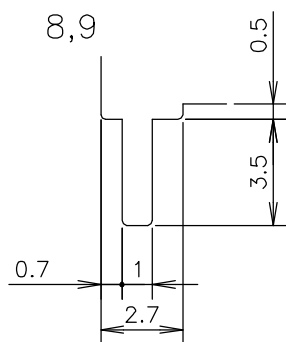


GENERAL TOLERANCE :  $\pm 0.5$



TERMINAL ASSIGNMENTS

- 1 +Vin
- 2 CNT
- 3 -Vin
- 4 NC
- 5 -Vout
- 6 TRM
- 7 +Vout



(unit : mm)

MODEL NAME	PSS6
<b>DENSEI-LAMBDA</b>	

C191-02-01B