

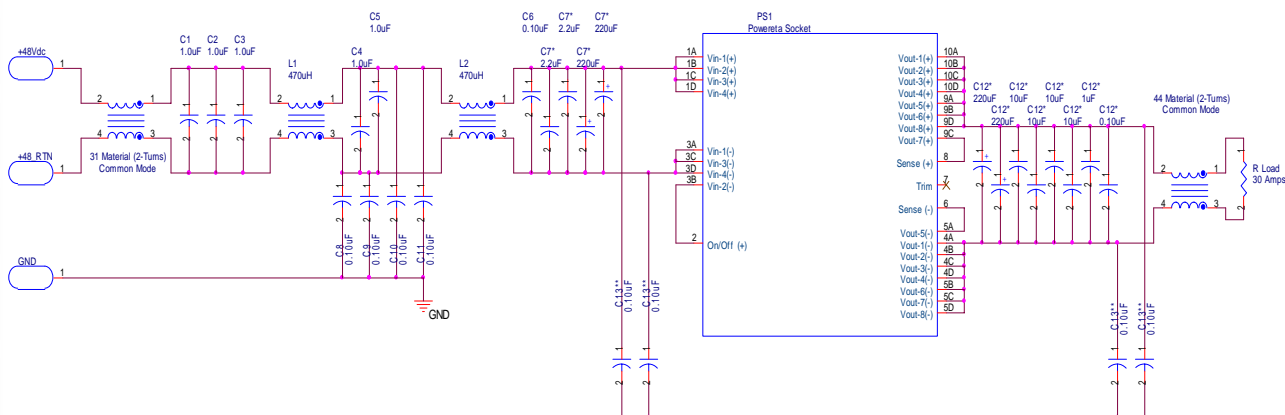
iQG Series Application Note



EMI Filter

CISPR B - Conducted Emission

(Test Setup and Recommended Filter)



***** NOTE *****

- * - Capacitor is required per Datasheet
- ** - Capacitor is required for EMI

EMC Considerations:

TDK – Lambda Americas power modules are designed for use in a wide variety of systems and applications. With the help of external EMI filters and careful layout, it is possible to meet CISPR 22 class A or B requirement. For assistance with designing for EMC compliance, please contact TDK – Lambda Americas Technical Support.

Input Impedance:

The source impedance of the power feeding the DC/DC converter module will interact with the DC/DC converter. To minimize the interaction, one or more 220uF to 470uF/100V input electrolytic capacitors should be present if the source inductance is greater than 4uH.

Notes:

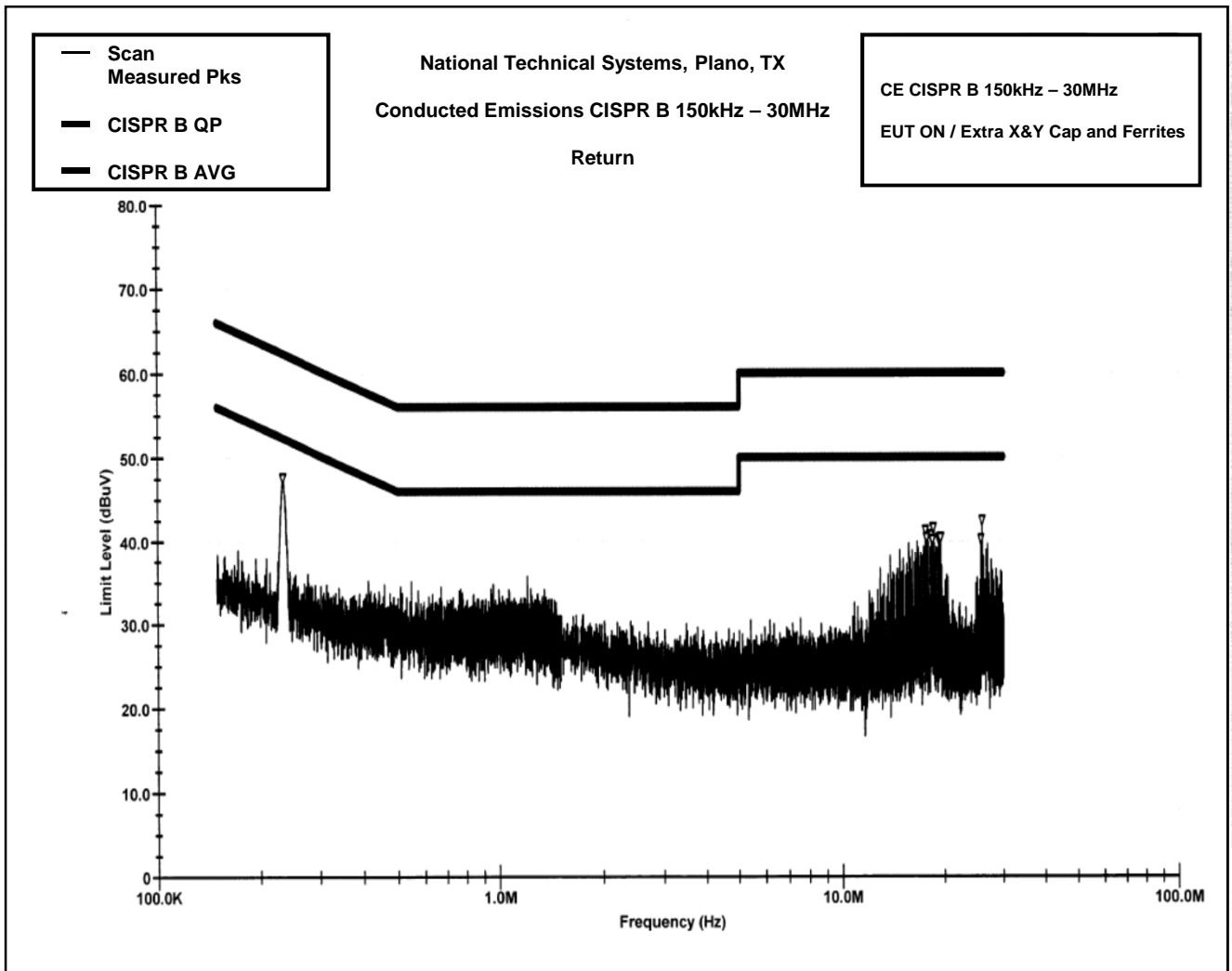
UUT:

- iQG48033A120V
- V_{in} : 48V
- I_{out} : 30A resistive load

EMI Filter

CISPR B - Conducted Emission

(Results from above Set-up)



EMI Filter

CISPR B - Conducted Emission

(Results from above Set-up)

