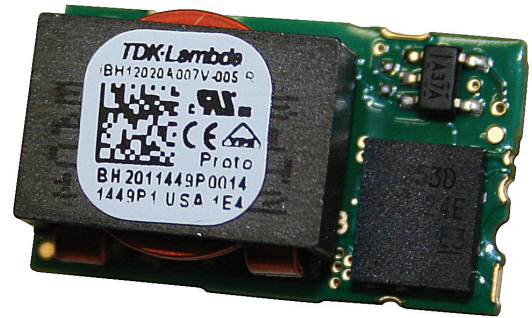


## 80W, 20A Non-isolated SMT Point of Load

### Features

- ◆ DOSA Compatible Footprint
- ◆ Surface Mountable
- ◆ Constant Switching Frequency
- ◆ No external loop tuning components needed
- ◆ Excellent Transient Response



### Key Market Segments & Applications



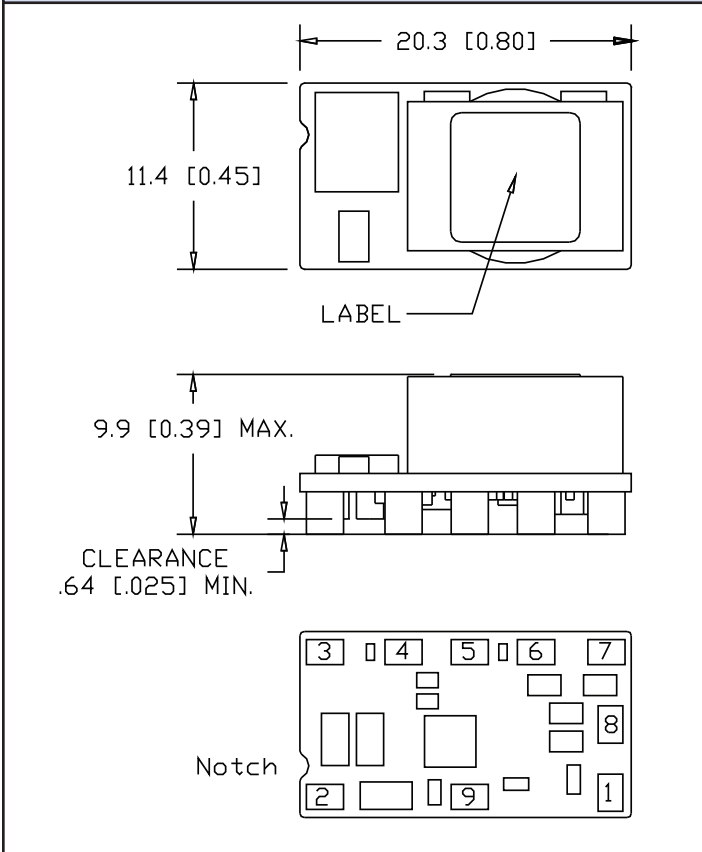
Specifications		
Model		iBH12
DC Output Voltage	V	0.7 - 5.5
DC Output Power (max)	W	80
DC Input Voltage	V	3.5 - 14
Efficiency	%	85.5 - 96
Output Voltage Tolerance	%	±3
Switching Frequency	kHz	600
Line Regulation	mV	4
Load Regulation	mV	7
External Load Capacitance	uF	200 - 2000
Output Ripple and Noise	mVpp	20
Overcurrent Protection	A	35A typical
Remote On / Off	-	Yes, see model selector table
Remote Sense	-	(+) Sense, compensating up to 0.5V
Power Good	-	Yes, Low on fail
Operating Temperature	°C	-40 to 115 (see thermal data on website)
Storage Temperature	°C	-55 to 125
Safety Agency Certifications	-	IEC/UL/CSA/EN62368-1, 60950-1, CE Mark
Weight	g / oz	6g / 0.21 oz
Size (LxWxH)	mm / in.	20.3 x 11.4 x 9.9 / 0.8 x 0.45 x 0.39
Warranty	yrs	3 years

## Model Selector

Input Model	Input Voltage (V)	Output Current (A)	Output Voltage (V)	Positive Logic On/Off	Negative Logic On/Off	Sequencing
iBH12020A007V-006-R	3.5 - 14	20	0.7 - 5.5	yes	-	-
iBH12020A007V-007-R	3.5 - 14	20	0.7 - 5.5	-	yes	-

Preferred

## Outline Drawing



## Pinout

PIN	Function	PIN	Function
1	ON / OFF	6	VOUT
2	VIN	7	SENSE (+)
3	Sequencing	8	Reserved
4	GND	9	PWR GOOD
5	TRIM		

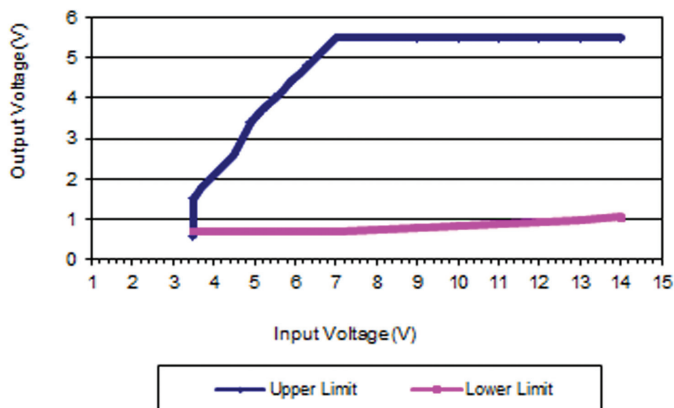
## Other Industrial Products

CC-E, CCG	1.5 - 30W 5, 12, 24 or 48V input isolated DC-DC converters
PX	10 - 60W 12, 24 or 48V input isolated DC-DC converters
iAH, iBF, iCF, iCH, iCG	3 - 20A DOSA2 non isolated DC-DC converters
iJA, iJB, iJC	35 - 100A non isolated DC-DC converters with PMBus

For Additional Information, please visit <https://product.tdk.com/en/power/>



## Voltage Operating Range



Output voltage vs. Input Voltage Operating Range