

CCG15-24-xxD

C282-01-01B

(This specification sheet also apply to option model /P)

SPECIFICATIONS (1/2)

MODEL		CCG15-24-12D	CCG15-24-15D
ITEMS			
INPUT			
Input Voltage Range	VDC	9 - 36	
Efficiency (Typ) (*1)	%	89	90
Input Current (Typ) (*1)	A	0.73	0.70
OUTPUT			
Nominal Output Voltage	VDC	±12	±15
Output Voltage Accuracy (*1)	%	±5	
Maximum Output Current	A	0.65	0.5
Maximum Output Power	W	15.6	15
Maximum Line Regulation (*2)	mV	60	75
Maximum Load Regulation (*3)	mV	120	150
Maximum Load Regulation (*10)	mV	480	600
Temperature Coefficient	-	0.02%/°C	
Maximum Ripple & Noise (*4)	mVp-p	95	95
Output Voltage Range	-	Fixed	
Over Current Protection (*5)	-	105% minimum	
Over Voltage Protection	-	None	
FUNCTION			
Remote ON/OFF Control (*6)	-	Possible	
Remote Sensing	-	None	
Parallel Operation	-	None	
Series Operation (*6)	-	Possible	
ENVIRONMENT			
Operating Temperature (*7)	-	-40°C - +110°C(Case) , -40°C - +85°C(Ambient)	
Storage Temperature	-	-55°C - +125°C	
Operating Humidity	-	5 - 95%RH (No Condensing)	
Storage Humidity	-	5 - 95%RH (No Condensing)	
Vibration (*8)	-	At No Operating, 10 - 55Hz (Sweep for 3min.) Amplitude 1.52 mm Constant (Maximum 90.8m/s ²) X,Y,Z 1 hour each	
Shock (*8)	-	490.3m/s ²	
Cooling	-	Convection cooled / Forced air cooled	
ISOLATION			
Withstand Voltage (*9)	-	Input-Case : 1.0kVDC for 1min. (10mA) , Input-Output : 1.5kVDC for 1min. (10mA) Output-Case : 1.0kVDC for 1min. (10mA)	
Isolation Resistance	-	More than 100MΩ at 25°C and 70%RH, Output - Case 500VDC	
STANDARD AND COMPLIANCE			
Safety	-	Approved by UL62368-1, CSA62368-1, EN62368-1, UL60950-1,CSA60950-1	
MECHANICAL			
Weight (Typ.)	g	20	
Size (W x H x D)	mm	25.4 x 9.9 x 25.4 (Refer to Outline Drawing)	

CCG15-24-xxD

C282-01-01B

SPECIFICATIONS (2/2)

*Read Instruction Manual carefully, before using the power supply unit.

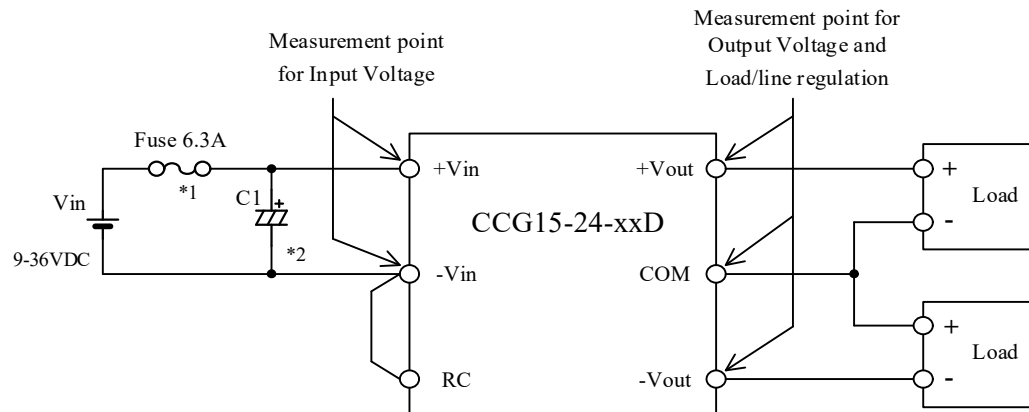
=NOTES=

- *1. At 24VDC input voltage and maximum output current. (Ambient Temperature = +25°C.)
- *2. 9 - 36VDC input voltage, constant load.
- *3. No Load - Full Load, constant input voltage. (Balanced load)
- *4. External components are needed for operation. (Refer to Instruction Manual.)
- *5. OCP TYPE : Hiccup, Automatic recovery.
- *6. Refer to Instruction Manual.
- *7. Rating - Refer to Derating Curve in Instruction Manual.
- *8. The result is evaluated by TDK-Lambda standard measurement conditions.
The final equipment should be evaluated to meet its requirements.
- *9. This specification applies to power supply module as stand-alone.
- *10. One side fixed Full Load, the other side 20% - Full Load, Constant input voltage. (Asymmetrical load)

CCG15-24-xxD

C282-01-02A

BASIC CONNECTION



*Read instruction manual carefully, before using the power supply unit.

==NOTES==

*1. Use an external DC fuse (fast blow type or normal blow type) for each unit.

*2. Put input capacitor.

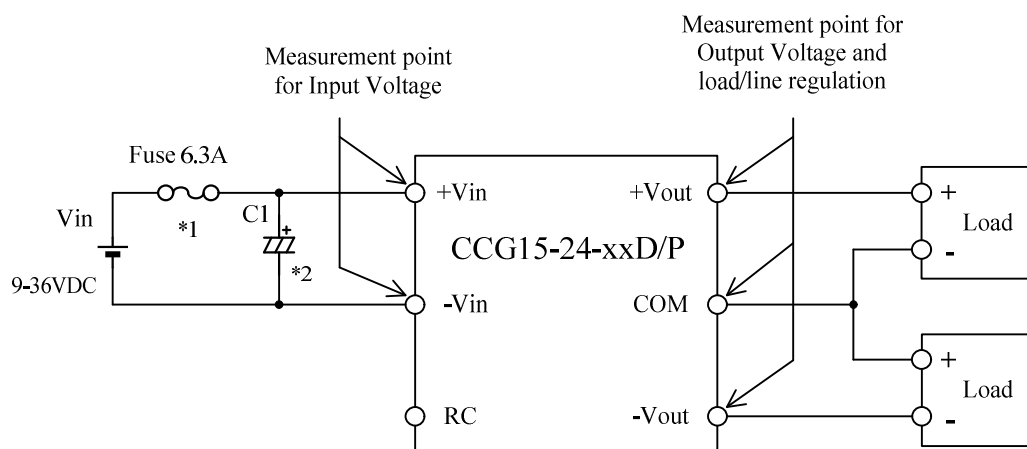
C1 : Electrolytic capacitor More than 50V, 120uF

- 1) Use low impedance electrolytic capacitor with excellent temperature characteristics.
- 2) If the impedance of input line is high, C1 capacitance must be more than above.

CCG15-24-xxD/P

C282-01-02/P-A

BASIC CONNECTION



*Read instruction manual carefully, before using the power supply unit.

==NOTES==

*1. Use an external DC fuse (fast blow type or normal blow type) for each unit.

*2. Put input capacitor.

C1 : Electrolytic capacitor More than 50V, 120uF

1) Use low impedance electrolytic capacitor with excellent temperature characteristics.

2) If the impedance of input line is high, C1 capacitance must be more than above.