

### iCF Series DC/DC Power Modules 2.4-5.5V Input, 3A Output Surface Mount Power Module



iCF power modules perform local voltage conversion from either a 5V or 3.3V bus. The iCF05003A006V utilizes a low component count that results in both a low cost structure and a high level of performance. The open-frame, compact, surface mountable design features an ultra-low profile and weight as well as additional edge plated pads that allow for extremely flexible and robust manufacturing processes.

#### Features

- Size – 12.2mm x 12.2 mm x 3.66 mm (0.48 in. x 0.48 in. x 0.144 in.)
- DOSA Compatible Footprint
- Edge plated castellations for forming inspectable solder joints
- Surface mountable
- Maximum weight 1.5g (0.053 oz)
- Up to 10.89W of output power in high ambient temperature, low airflow environments with no power derating
- Positive logic on/off
- Flexible Output Voltage Sequencing
- Starts with pre-biased output
- Output voltage adjustment – industry standard
- Outstanding transient response without the need for external loop tuning components
- Constant switching frequency
- Remote Sense
- Full, auto-recovery protection:
  - Input under voltage
  - Short circuit
  - Thermal limit
- ISO Certified manufacturing facilities

#### Optional Features

- Negative logic on/off
- No output voltage sequencing
- Solder bumping for enhanced solderability on the EPC footprint

This page intentionally left blank

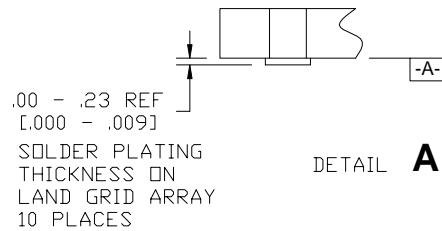
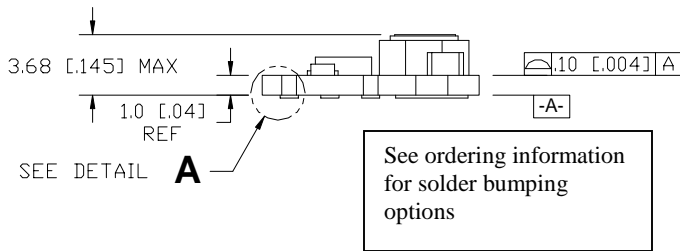
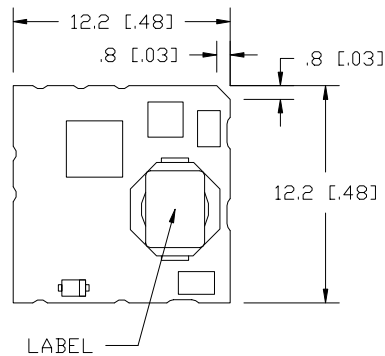
### **TDK - Lambda Americas Inc.**

401 Mile of Cars Way, Suite 325  
National City, California 91950

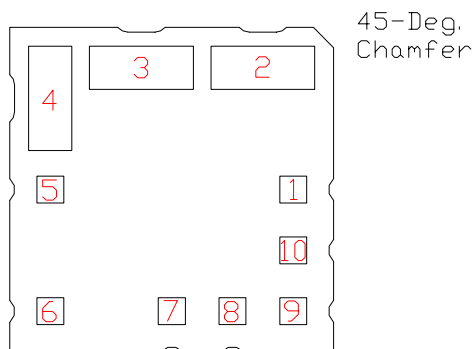
Phone 1-800-526-2324  
[www.us.tdk-Lambda.com/lp](http://www.us.tdk-Lambda.com/lp)

### Mechanical Specification:

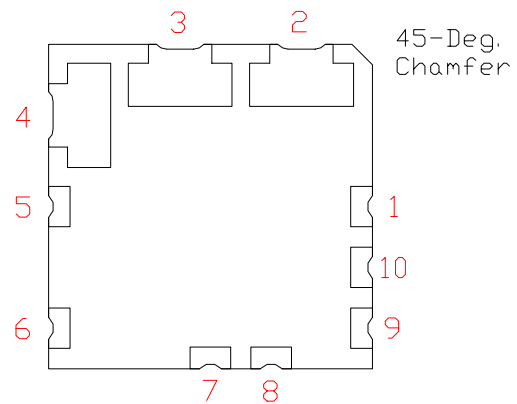
Dimensions are in mm [in]. Unless otherwise specified tolerances are:  $x.x \pm 0.5$  [0.02],  $x.xx \pm 0.25$  [0.010]



### Pin Locations: (bottom view)



**DOSA PINS**

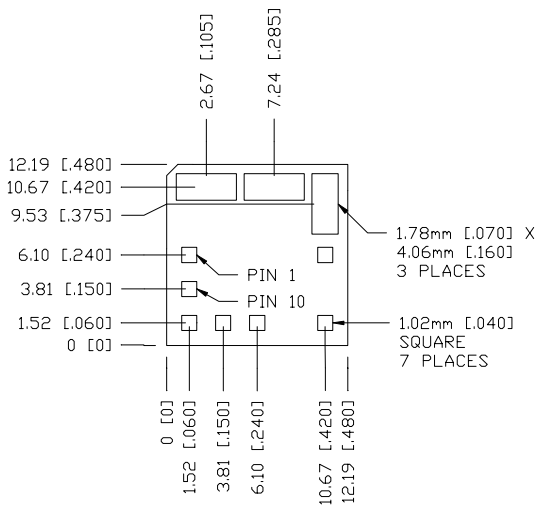


**EPC PINS**

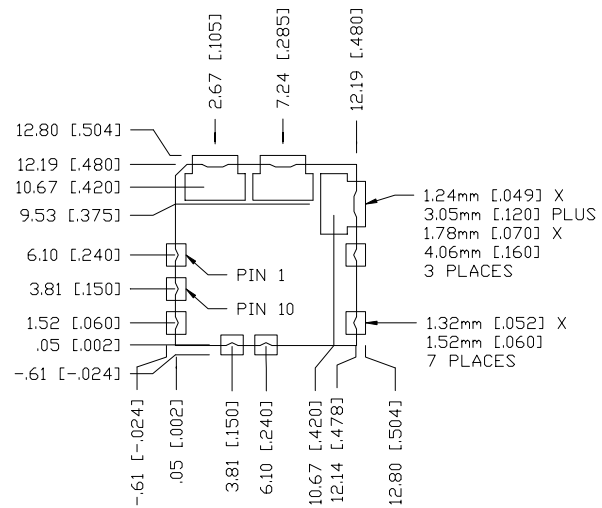
### Pin Assignment:

| PIN | FUNCTION | PIN | FUNCTION |
|-----|----------|-----|----------|
| 1   | ON/OFF   | 6   | TRIM     |
| 2   | VIN      | 7   | GND      |
| 3   | GND      | 8   | NC       |
| 4   | VOUT     | 9   | SEQ      |
| 5   | SENSE    | 10  | NC       |

### Recommended Footprint (top view):



**FOR DOSA STANDARD PADS**



**FOR EPC PADS**

### Absolute Maximum Ratings:

Stress in excess of Absolute Maximum Ratings may cause permanent damage to the device.

| Characteristic                   | Min   | Max  | Unit | Notes & Conditions   |
|----------------------------------|-------|------|------|--|
| Continuous Input Voltage         | -0.25 | 6    | Vdc  |  |
| Storage Temperature              | -55   | 125  | °C   |  |
| Operating Temperature Range (Tc) | -40   | 115* | °C   | Measured at the location specified in the thermal measurement figure; maximum temperature varies with output current – see curve in the thermal performance section of the data sheet. |

\* Engineering estimate

### Input Characteristics:

Unless otherwise specified, specifications apply over all rated Input Voltage, Resistive Load, and Temperature conditions.

| Characteristic                                       | Min | Typ  | Max | Unit | Notes & Conditions                                    |
|--|-----|------|-----|------|---|
| Operating Input Voltage                              | 2.4 | ---  | 5.5 | Vdc  |   |
| Maximum Input Current                                | --- | ---  | 3.5 | A    | Vin=2.4 to Vin,max; Io=Io,max                         |
| Startup Delay Time from application of input voltage | --- | 4    | --- | mS   | Vo=0 to 0.1*Vo,set; on/off=on, Io=Io,max, Tc=25°C     |
| Startup Delay Time from on/off                       | --- | 4    | --- | mS   | Vo=0 to 0.1*Vo,set; Vin=Vi,nom, Io=Io,max, Tc=25°C    |
| Output Voltage Rise Time                             | --- | 3    | --- | mS   | Io=Io,max, Tc=25°C, Vo=0.1 to 0.9*Vo,set              |
| Input Reflected Ripple                               | --- | 30   | --- | mApp | See input/output ripple measurement figure; BW=20 MHz |
| Input Ripple Rejection                               | --- | 40*  | --- | dB   | @ 120 Hz  |
| Turn on input voltage                                | --- | 2.1  | --- | V    |   |
| Turn off input voltage                               | --- | 1.95 | --- | V    |   |

\*Engineering Estimate

Caution: The power modules are not internally fused. An external input line normal blow fuse with a maximum value of 10A is required, see the Safety Considerations section of the data sheet.

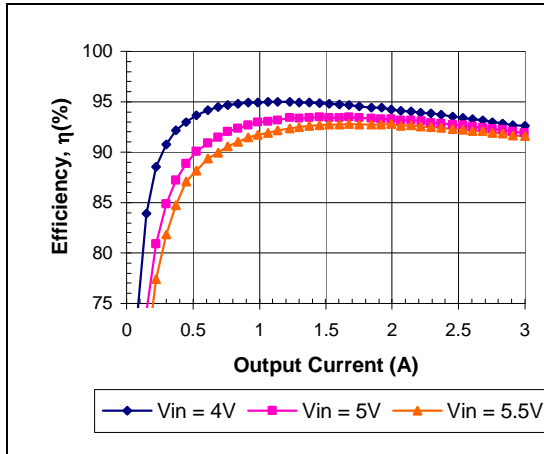
### Electrical Data:

| Characteristic                     | Min          | Typ  | Max   | Unit     | Notes & Conditions  |
|------------------------------------|--------------|------|-------|----------|---|
| Output Voltage Initial Setpoint    | -2           | -    | +2    | %        | $V_o=3.3V_{\text{setting}}$ , $V_{in}=V_{in,nom}$ ; $I_o=I_o,max$ ; $T_c = 25^\circ C$  |
| Output Voltage Tolerance           | -3           | -    | +3    | %        | Over all rated input voltage, load, and temperature conditions to end of life   |
| Efficiency                         |              |      |       |          | $V_{in}=5V$ ; $I_o=I_o,max$ ; $T_c=25^\circ C$  |
|                                    | $V_o = 1.2V$ | ---  | 82    | ---      | %   |
|                                    | $V_o = 1.5V$ | ---  | 84    | ---      | %   |
|                                    | $V_o = 1.8V$ | ---  | 86    | ---      | %   |
|                                    | $V_o = 2.5V$ | ---  | 90    | ---      | %   |
|                                    | $V_o = 3.3V$ | ---  | 92    | ---      | %   |
| Line Regulation                    | ---          | 3    | ---   | mV       | $V_{in}=V_{in,min}$ to $V_{in,max}$   |
| Load Regulation                    | ---          | 6    | ---   | mV       | $I_o=I_o,min$ to $I_o,max$  |
| Output Current                     | 0            | ---  | 3     | A        |   |
| Output Current Limiting Threshold  | ---          | 4.5  | ---   | A        | $V_o = 0.9 \cdot V_o,nom$ , $T_c < T_c,max$ )   |
| Short Circuit Current              | ---          | 0.2  | ---   | A        | $V_o = 0.25V$ , $T_c = 25^\circ C$  |
| Output Ripple and Noise Voltage    | ---          | 25   | 50    | mVpp     | Measured across one 0.1 uF ceramic capacitor and one 10uF ceramic capacitor – see input/output ripple measurement figure; BW = 20MHz. |
| Output Voltage Adjustment Range    | 0.6          | ---  | 3.63  | V        |   |
| Output Voltage Sense Range         | ---          | ---  | 0.5   | V        |   |
| Dynamic Response:<br>Recovery Time | ---          | 20   | ---   | uS       | $di/dt = 10A/uS$ , $V_{in}=V_{in,nom}$ ; $V_o=1.5V$ , load step from 25% to 75% of $I_o,max$  |
| Transient Voltage                  | ---          | 50   | ---   | mV       |   |
| Switching Frequency                | ---          | 600  | ---   | kHz      | Fixed   |
| External Load Capacitance          | 47           | ---  | 1000* | uF       |   |
| Vref                               |              | 0.6  |       | V        | Required for trim calculation   |
| F                                  |              | 2000 |       | $\Omega$ | Required for trim calculation   |

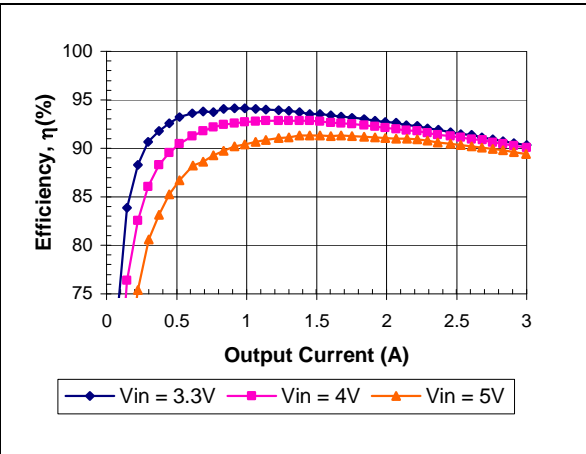
\*Please contact TDK - Lambda Americas for technical support for very low esr capacitor banks or if higher capacitance is required

### Electrical Characteristics:

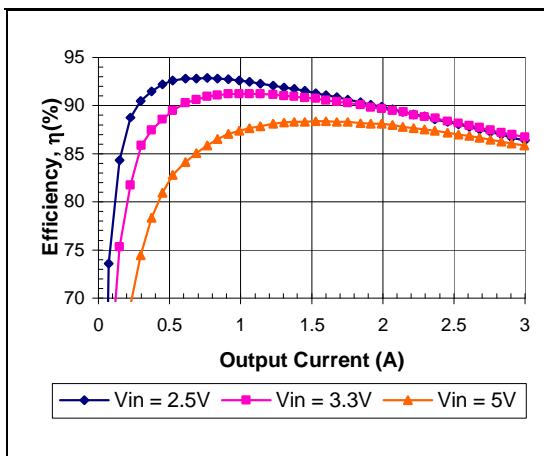
#### Typical Efficiency vs. Input Voltage



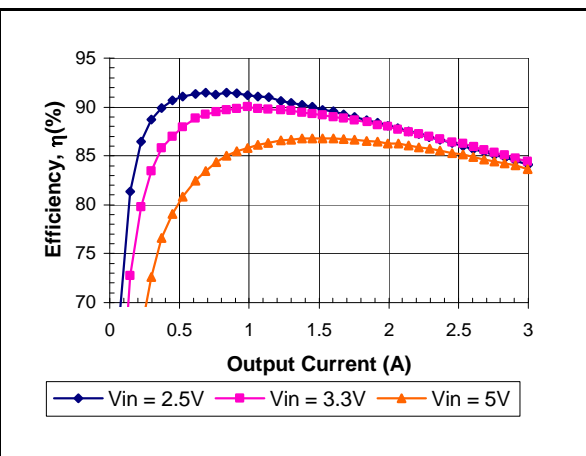
$V_o = 3.3V$



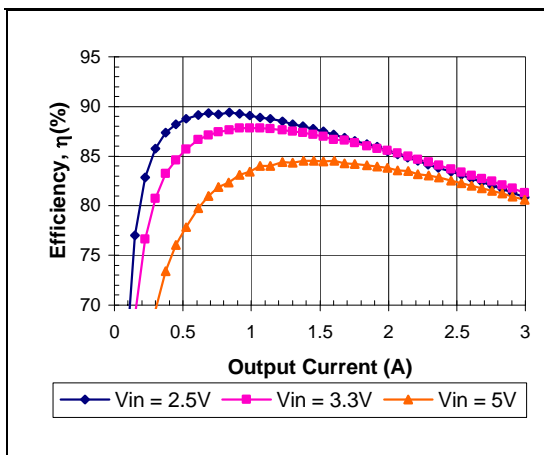
$V_o = 2.5V$



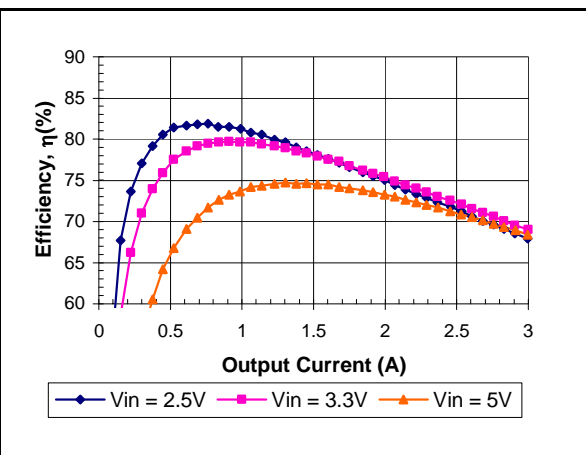
$V_o = 1.8V$



$V_o = 1.5V$



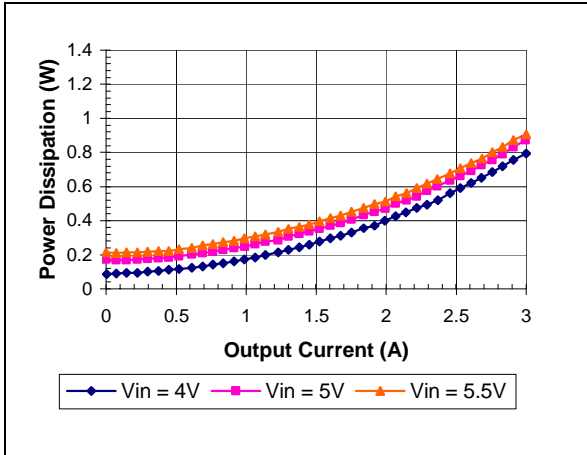
$V_o = 1.2V$



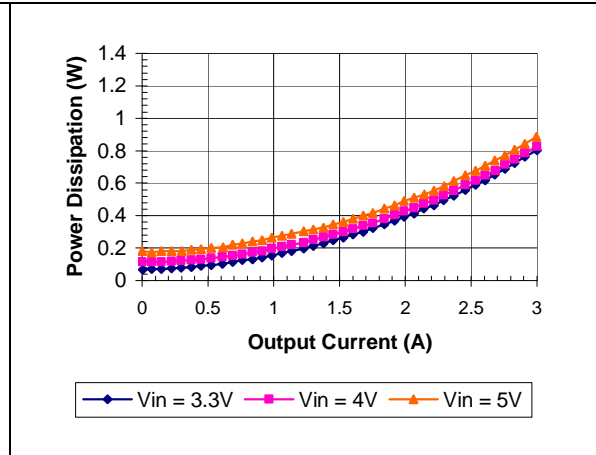
$V_o = 0.6V$

### Electrical Characteristics:

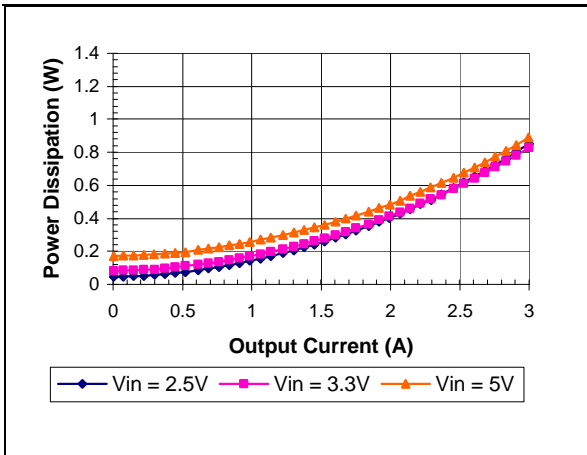
#### Typical Power Dissipation vs. Input Voltage



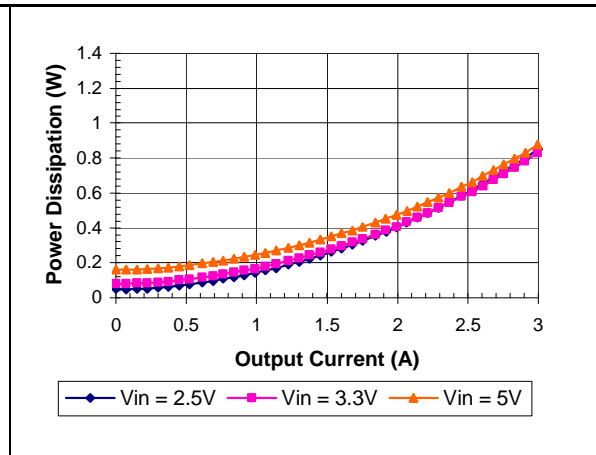
$V_o = 3.3V$



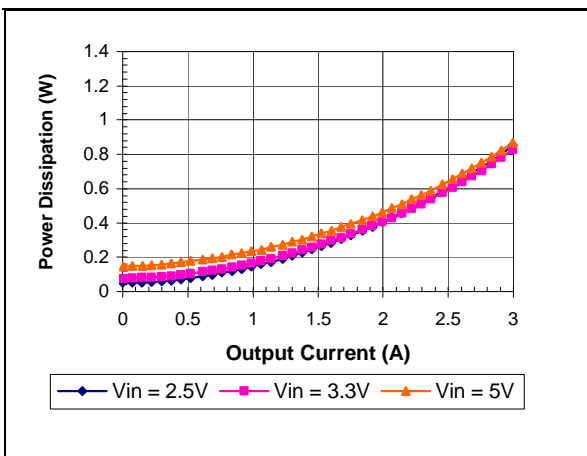
$V_o = 2.5V$



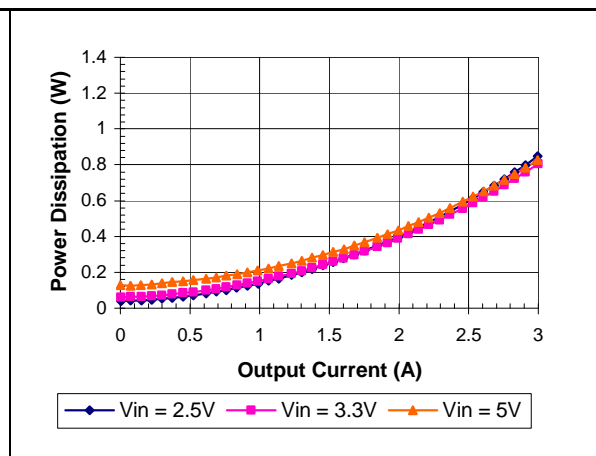
$V_o = 1.8V$



$V_o = 1.5V$



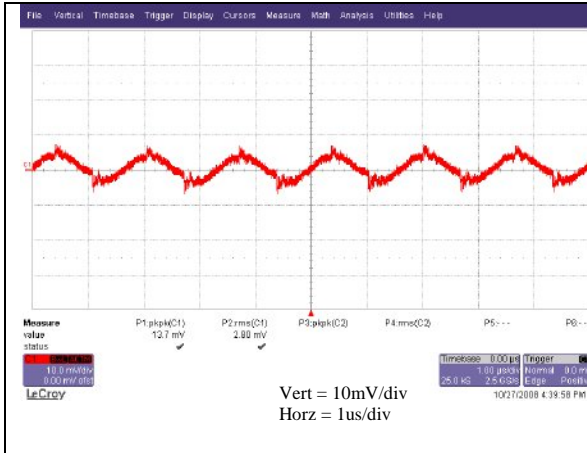
$V_o = 1.2V$



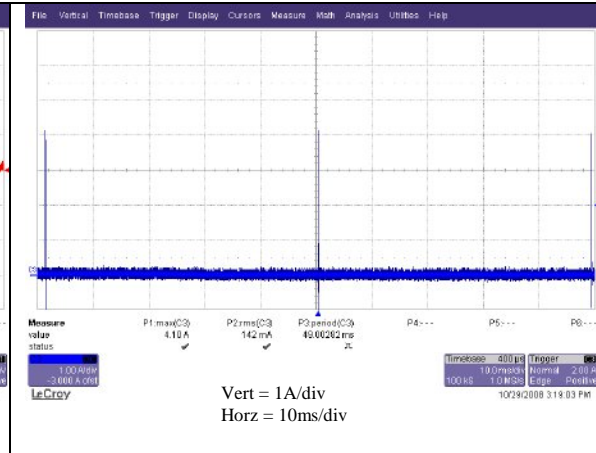
$V_o = 0.6V$



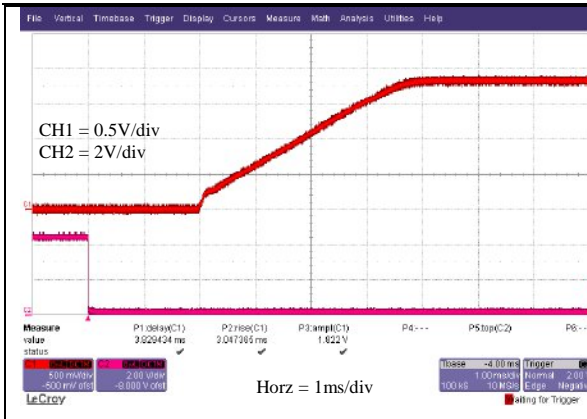
### Electrical Characteristics:



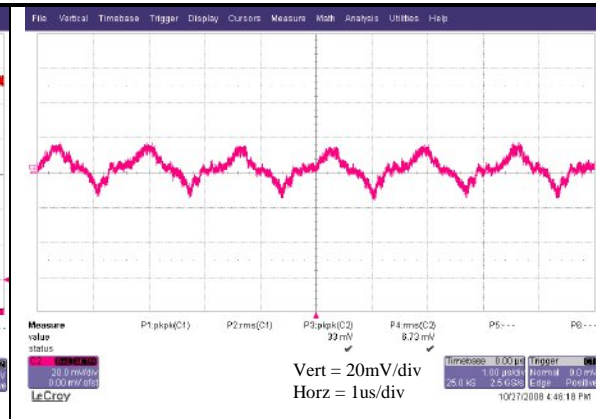
Vo=1.8V Typical Output Ripple at nominal Input voltage and full load at Ta=25 degrees



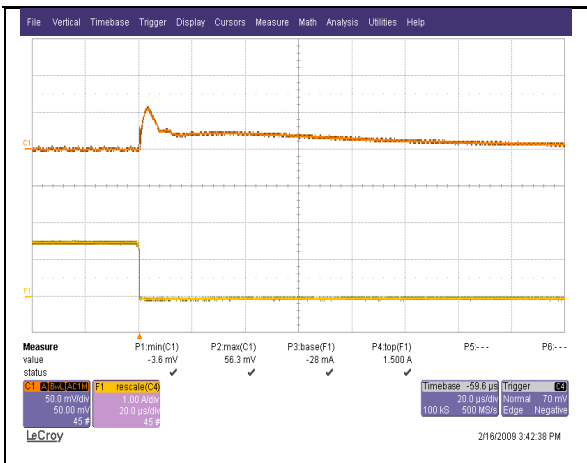
Typical Output Short Circuit Current



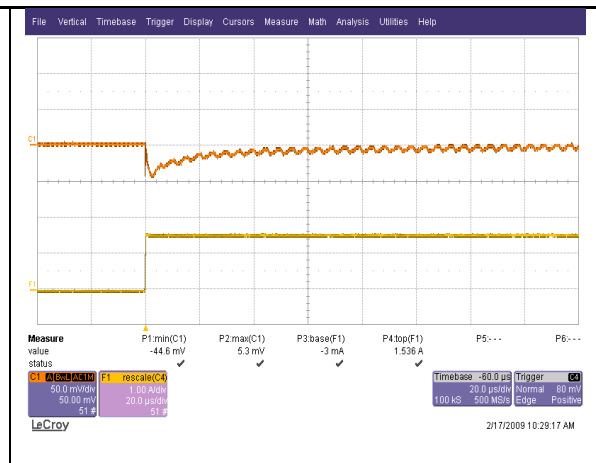
Vo=1.8V Typical startup characteristic from on/off at full load. Upper trace - output voltage, lower trace – on/off signal



Vo=1.8V Typical Input Ripple at nominal Input Voltage and full load at Ta=25 degrees. Input capacitors 2 x 22uF ceramic



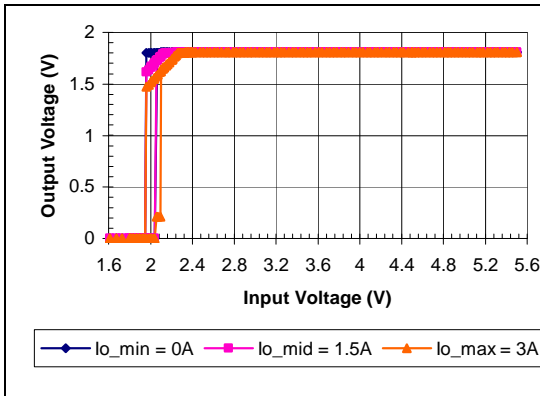
Vo=1.8V Typical output voltage transient response to load step from 100% to 50% of full load with output current slew rate of 10A/uS. (Cext = 1x47uF ceramic capacitor)



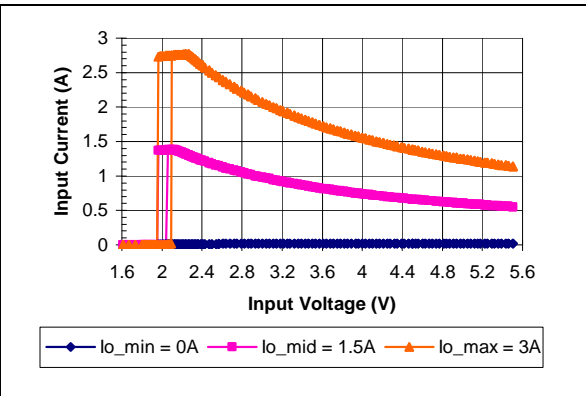
Vo=3.3V Typical output voltage transient response to load step from 50% to 100% of full load with output current slew rate of 10A/uS. (Cext = 1x47uF ceramic capacitor)

### Electrical Characteristics (continued):

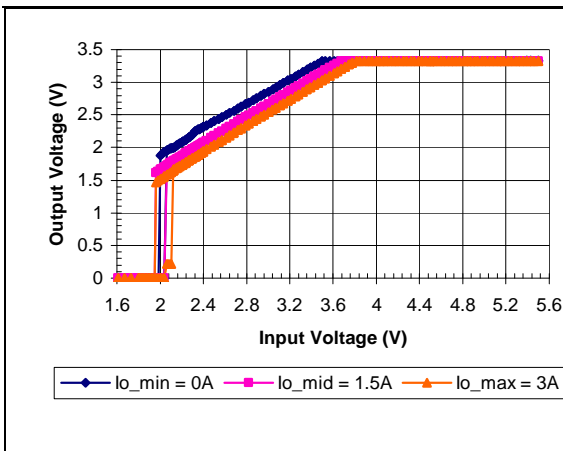
#### Typical Output Voltage vs. Input Voltage Characteristics



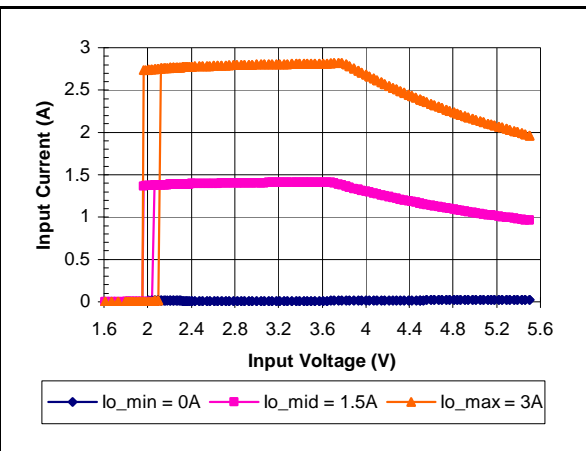
Vo=1.8V Typical Output Voltage vs. Input Voltage Characteristics



Vo=1.8V Typical Input Current vs. Input Voltage Characteristics

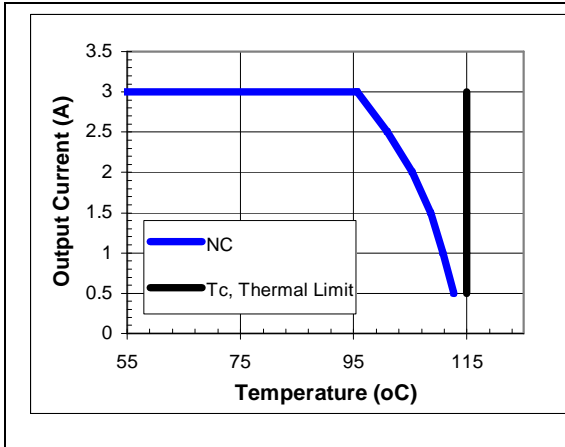


Vo=3.3V Typical Output Voltage vs. Input Voltage Characteristics

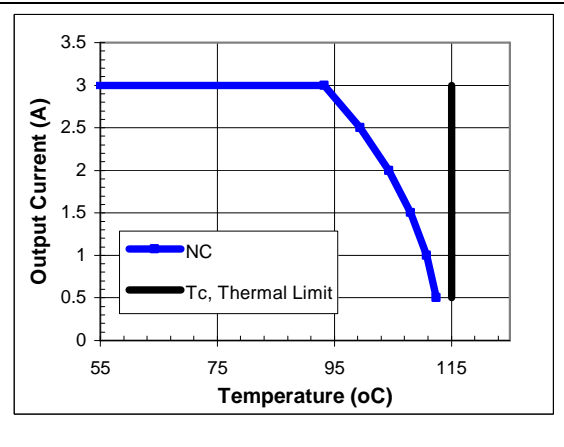


Vo=3.3V Typical Input Current vs. Input Voltage Characteristics

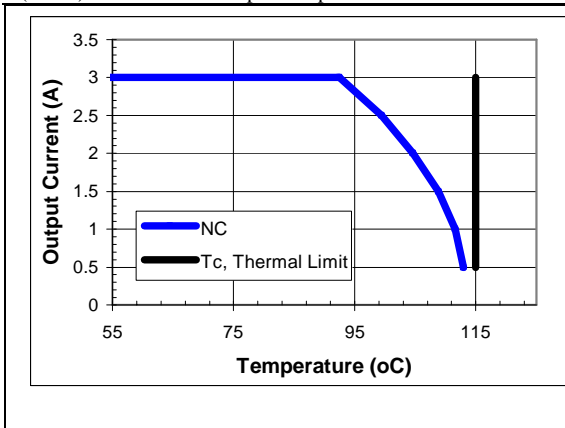
### Thermal Performance:



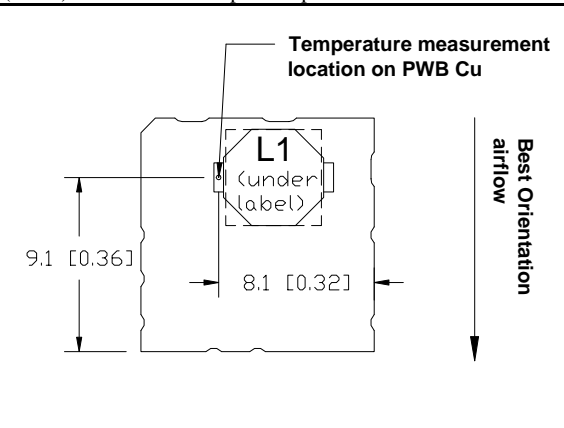
Vo=3.3V, Vin=5V maximum output current vs. ambient temperature at nominal input voltage for natural convection (60lfm) with airflow from pin 3 to pin 7.



Vo=1.8V, Vin=5V maximum output current vs. ambient temperature at nominal input voltage for natural convection (60lfm) with airflow from pin 3 to pin 7.



Vo=0.6V, Vin=5V maximum output current vs. ambient temperature at nominal input voltage for natural convection (60lfm) with airflow from pin 3 to pin 7.

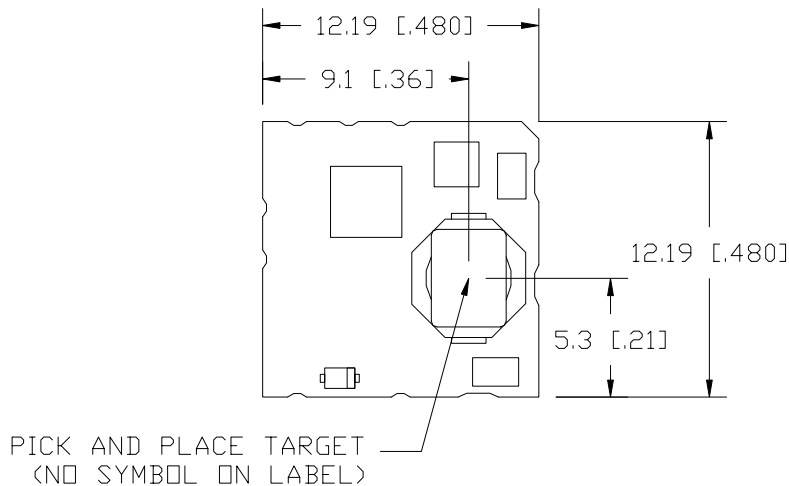


ICF05003A006V thermal measurement location – top view

The thermal curves provided are based upon measurements made in TDK – Lambda Americas’ experimental test setup that is described in the Thermal Management section. Due to the large number of variables in system design, TDK – Lambda Americas recommends that the user verify the module’s thermal performance in the end application. The critical component should be thermo coupled and monitored, and should not exceed the temperature limit specified in the derating curve above. It is critical that the thermocouple be mounted in a manner that gives direct thermal contact or significant measurement errors may result. TDK - Lambda Americas can provide modules with a thermocouple pre-mounted to the critical component for system verification tests.

### Soldering Information:

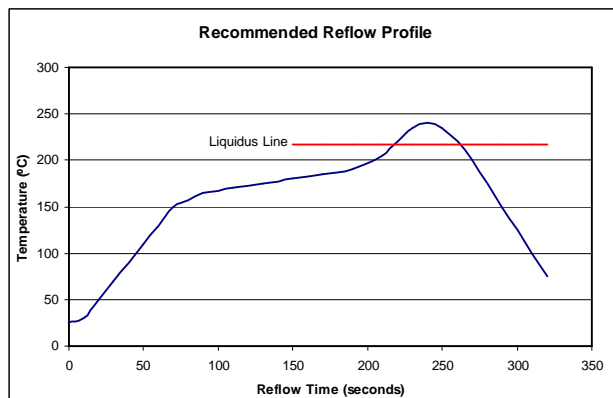
iCF surface mountable power modules are intended to be compatible with standard surface mount component soldering processes and either hand placed or automatically picked and placed. The figure below shows the position for vacuum pick up. The maximum weight of the power module is 1.5g (0.053 oz.). Improper handling or cleaning processes can adversely affect the appearance, testability, and reliability of the power modules. The iCF product is a moisture sensitivity level 2 device. Contact TDK – Lambda Americas' technical support for guidance regarding proper handling, cleaning, and soldering of TDK – Lambda Americas' power modules.



### Reflow Soldering

The iCF platform is an open frame power module manufactured with SMT (surface mount technology). Due to the high thermal mass of the power module and sensitivity to heat of some SMT components, extra caution should be taken when reflow soldering. Failure to follow the reflow soldering guidelines described below may result in permanent damage and/or affect performance of the power modules.

The iCF power modules can be soldered using natural convection, forced convection, IR (radiant infrared), and convection/IR reflow technologies. The module should be thermally characterized in its application to develop a temperature profile. Thermal couples should be mounted to terminal 3 and terminal 6 and be monitored. The temperatures should be maintained below 260 degrees. Oven temperature and conveyer belt speeds should be controlled to ensure these limits are not exceeded. In most manufacturing processes, the solder paste required to form a reliable connection can be applied with a standard 6 mil stencil.



iCF Power Module suggested reflow-soldering profile

### Thermal Management:

An important part of the overall system design process is thermal management; thermal design must be considered at all levels to ensure good reliability and lifetime of the final system. Superior thermal design and the ability to operate in severe application environments are key elements of a robust, reliable power module.

A finite amount of heat must be dissipated from the power module to the surrounding environment. This heat is transferred by the three modes of heat transfer: convection, conduction and radiation. While all three modes of heat transfer are present in every application, convection is the dominant mode of heat transfer in most applications. However, to ensure adequate cooling and proper operation, all three modes should be considered in a final system configuration.

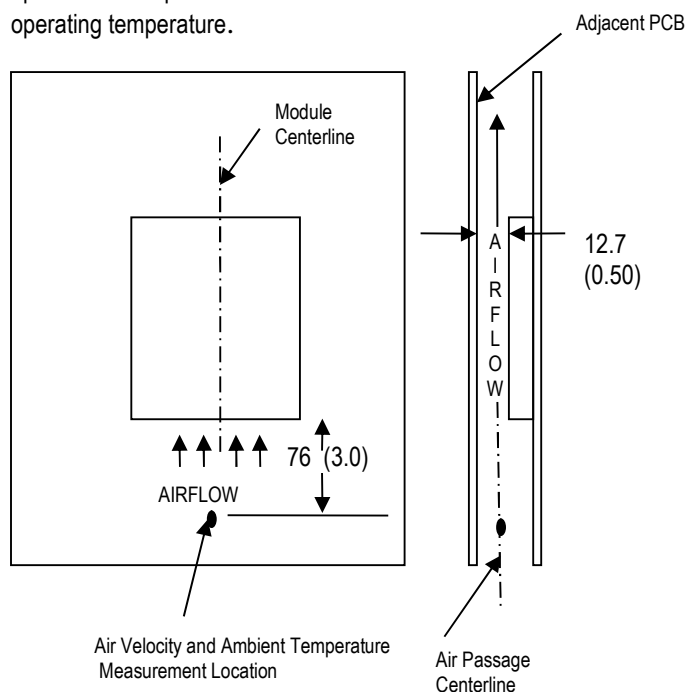
The open frame design of the power module provides an air path to individual components. This air path improves convection cooling to the surrounding environment, which reduces areas of heat concentration and resulting hot spots.

**Test Setup:** The thermal performance data of the power module is based upon measurements obtained from a wind tunnel test with the setup shown in the wind tunnel figure. This thermal test setup replicates the typical thermal environments encountered in most modern electronic systems with distributed power architectures. The electronic equipment in networking, telecom, wireless, and advanced computer systems operates in similar environments and utilizes vertically mounted PCBs or circuit cards in cabinet racks.

The power module, as shown in the figure, is mounted on a printed circuit board (PCB) and is vertically oriented within the wind tunnel. The cross section of the airflow passage is rectangular. The spacing between the top of the module and a parallel facing PCB is kept at a constant (0.5 in). The power module's orientation with respect to the airflow direction can have a significant impact on the module's thermal performance.

**Thermal Derating:** For proper application of the power module in a given thermal environment, output current derating curves are provided as a design guideline on the Thermal Performance section for the

power module of interest. The module temperature should be measured in the final system configuration to ensure proper thermal management of the power module. For thermal performance verification, the module temperature should be measured at the component indicated in the thermal measurement location figure on the thermal performance page for the power module of interest. In all conditions, the power module should be operated below the maximum operating temperature shown on the derating curve. For improved design margins and enhanced system reliability, the power module may be operated at temperatures below the maximum rated operating temperature.



**Wind Tunnel Test Setup Figure** Dimensions are in millimeters and (inches).

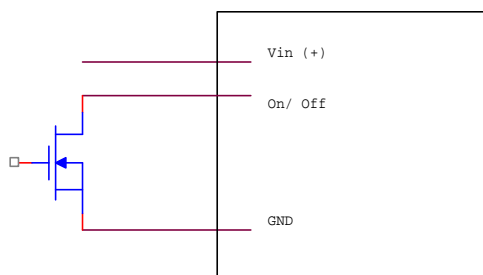
Heat transfer by convection can be enhanced by increasing the airflow rate that the power module experiences. The maximum output current of the power module is a function of ambient temperature ( $T_{AMB}$ ) and airflow rate as shown in the thermal performance figures on the thermal performance page for the power module of interest. The curves in the figures are shown for natural convection through 2 m/s (400 ft/min). The data for the natural convection condition has been collected at 0.3 m/s (60 ft/min) of airflow, which is the typical airflow generated by other heat dissipating components in many of the systems that these types of modules are used in. In the final system configurations, the airflow rate for the natural convection condition can vary due to temperature gradients from other heat dissipating components.

### Operating Information:

**Over-Current Protection:** The power modules have short circuit protection to protect the module during severe overload conditions. During overload conditions, the power modules may protect themselves by entering a hiccup current limit mode. The modules will operate normally once the output current returns to the specified operating range.

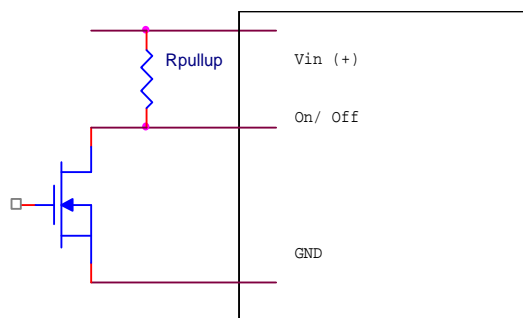
**Remote On/Off:** - The power modules have an internal remote on/off circuit. The user must supply an open-collector or compatible switch between the GND pin and the on/off pin. The maximum voltage generated by the power module at the on/off terminal is 6V. The maximum allowable leakage current of the switch is 10uA. The switch must be capable of maintaining a low signal  $V_{on/off} < 0.3V$  while sinking 2mA.

The standard on/off logic is positive logic. The power module will turn on if terminal 1 (on/off) is left open and will be off if terminal 1 is connected to terminal GND. If the positive logic circuit is not being used, terminal 1 should be left open.



**On/Off Circuit for positive logic**

An optional negative logic is available. In the circuit configuration shown the power module will turn on if the external switch is on and it will be off if the on/off pin is pulled up to  $V_{in}$  by an external 3.6Kohm resistor. If the negative logic feature is not being used, terminal 1 should be left open.



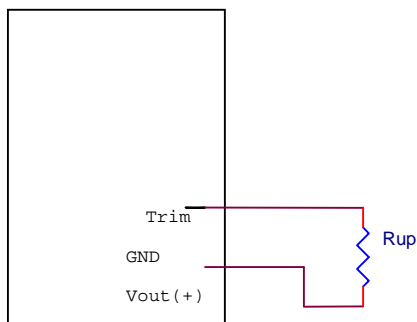
**On/Off Circuit for negative logic**

**Remote Sense:** The power modules feature remote sense to compensate for the effect of output distribution drops. The output voltage sense range defines the maximum voltage allowed between the output power terminals and output sense terminals, and it is found on the electrical data page for the power module of interest. If the remote sense feature is not being used, the Sense terminal should be connected to the  $V_o$  terminal.

The output voltage at the  $V_o$  terminal can be increased by either the remote sense or the output voltage adjustment feature. The maximum voltage increase allowed is the larger of the remote sense range or the output voltage adjustment range; it is not the sum of both.

As the output voltage increases due to the use of the remote sense, the maximum output current may need to be decreased for the power module to remain below its maximum power rating.

**Output Voltage Adjustment:** The output voltage of the power module may be adjusted by using an external resistor connected between the  $V_{out}$  trim terminal and GND terminal. If the output voltage adjustment feature is not used, trim terminal should be left open. Care should be taken to avoid injecting noise into the power module's trim pin.



### Circuit to increase output voltage

With a resistor between the trim and GND terminals, the output voltage is adjusted up. To adjust the output voltage from  $V_{o,nom}$  to  $V_{o,up}$  the trim resistor should be chosen according to the following equation:

$$R_u := \left[ \frac{(V_{ref} \cdot F)}{(V_{oup} - V_{onom})} \right] \text{ohm}$$

The values of  $V_{ref}$  and  $F$  are found in the electrical data section for the power module of interest. The maximum power available from the power module is fixed. As the output voltage is trimmed up, the maximum output current must be decreased to maintain the maximum rated power of the module.

e.g.  $V_o = 1.8V$

$$R_u := \left[ \frac{0.6 \cdot 2000}{(1.8 - 0.6)} \right]$$

| Vout (V) | Ru (Kohm) |
|----------|-----------|
| 0.6      | open      |
| 1.2      | 2         |
| 1.5      | 1.333     |
| 1.8      | 1         |
| 2.5      | 0.632     |
| 3.3      | 0.444     |

### Voltage Sequencing:

Some iCF power modules include a voltage sequence feature. The voltage sequence feature enables the user to implement various types of power up and power down sequencing schemes including sequential startup, ratiometric startup, and simultaneous startup. If the sequencing feature is not being used the pin should be left open or tied to  $V_{in}$ . When the voltage sequencing feature is used the pre-bias immunity feature is disabled.

To use the voltage sequence feature, the module should be set to an On state using the on/off feature. The input voltage should be applied and in the specified operating range for 10mS during which a 50mV voltage potential should be maintained on the sequence pin. After the 10mS interval, an analog voltage can be applied to the sequence pin and the module's output will track the applied voltage on a one to one basis until the output reaches its set point voltage. The final sequence voltage must be higher than the module set point. For sequential shut down, the sequence pin voltage should be lowered. The module will decrease its output voltage on a one to one basis.

The voltage sequencing circuit has a brief internal response time between the voltage appearing on the sequence pin and impacting the output voltage. If necessary, the impact of the time delay can be minimized by limiting the slew rate of the voltage on the sequence pin to less than 0.5 V/ms.

For additional assistance using the voltage sequencing function, please contact TDK - Lambda Americas' technical support.

**EMC Considerations:** TDK – Lambda Americas' power modules are designed for use in a wide variety of systems and applications. For assistance with designing for EMC compliance, please contact TDK – Lambda Americas' technical support.

### Input Impedance:

The source impedance of the power feeding the DC/DC converter module will interact with the DC/DC converter. To minimize the interaction, low-esr capacitors should be located at the input to the module. It is recommended that a 22uF ceramic input capacitor be placed as close as possible to the module. Data is provided on the electrical characteristics page, showing the typical input ripple voltage with two 22uF ceramic capacitors (TDK part C3225X7R1C226MT).



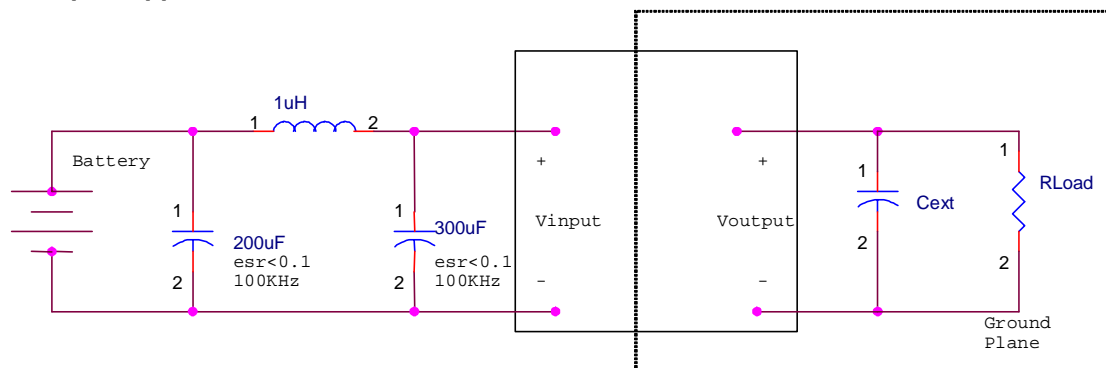
### Reliability:

The power modules are designed using TDK - Lambda's stringent design guidelines for component derating, product qualification, and design reviews. The MTBF is calculated to be greater than 16 M hours at full output power and  $T_a = 40^\circ\text{C}$  using the Telcordia SR-332 calculation method.

### Quality:

TDK – Lambda Americas' product development process incorporates advanced quality planning tools such as FMEA and Cpk analysis to ensure designs are robust and reliable. All products are assembled at ISO certified assembly plants.

### Input/Output Ripple and Noise Measurements:



The input reflected ripple is measured with a current probe and oscilloscope. The ripple current is the current through the 1µH inductor.

The output ripple measurement is made approximately 9 cm (3.5 in.) from the power module using an oscilloscope and BNC socket. The capacitor  $C_{ext}$  is located about 5 cm (2 in.) from the power module; its value varies from code to code and is found on the electrical data page for the power module of interest under the ripple & noise voltage specification in the Notes & Conditions column.

### Safety Considerations:

As of the publishing date, certain safety agency approvals may have been received on the iCF series and others may still be pending. Check with TDK - Lambda for the latest status of safety approvals on the iCF product line.

For safety agency approval of the system in which the DC-DC power module is installed, the power module must be installed in compliance with the creepage and clearance requirements of the safety agency.

To preserve maximum flexibility, the power modules are not internally fused. An external input line normal blow fuse with a maximum value of 10A is required by safety agencies. A lower value fuse can be selected based upon the maximum dc input current and maximum inrush energy of the power module.

### Warranty:

TDK – Lambda Americas' comprehensive line of power solutions includes efficient, high-density DC-DC converters. TDK – Lambda Americas offers a three-year limited warranty. Complete warranty information is listed on our web site or is available upon request from TDK – Lambda Americas.

### **TDK - Lambda Americas Inc.**

401 Mile of Cars Way, Suite 325  
National City, California 91950

Phone (800) 526-2324  
[www.us.tdk-lambda.com/lp](http://www.us.tdk-lambda.com/lp)

Information furnished by TDK - Lambda Americas is believed to be accurate and reliable. However, TDK - Lambda Americas assumes no responsibility for its use, nor for any infringement of patents or other rights of third parties, which may result from its use. No license is granted by implication or otherwise under any patent or patent rights of TDK - Lambda Americas. TDK - Lambda Americas' components are not designed to be used in applications, such as life support systems, wherein failure or malfunction could result in injury or death. All sales are subject to TDK - Lambda Americas' Terms and Conditions of Sale, which are available upon request. Specifications are subject to change without notice.