

PAQ100S48-*/B

SPECIFICATIONS

C163-01-01/B-A

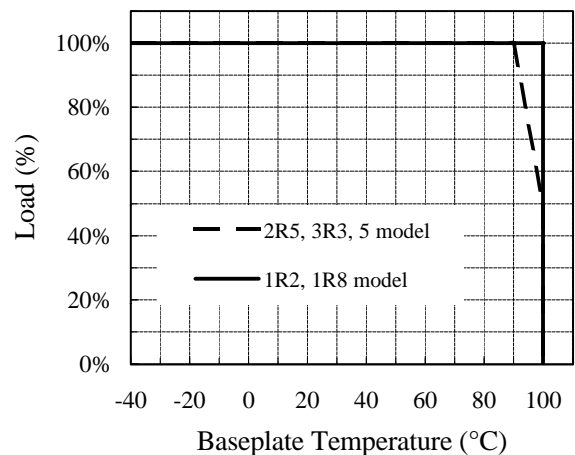
(This specifications sheet also apply to option model /BV, /BP, /BPV)

ITEMS		MODEL	PAQ100S48-1R2/B	PAQ100S48-1R8/B	PAQ100S48-2R5/B	PAQ100S48-3R3/B	PAQ100S48-5/B
1	Nominal Output Voltage	V	1.2	1.8	2.5	3.3	5
2	Maximum Output Current	A	25	25	25	25	20
3	Maximum Output Power	W	30	45	62.5	82.5	100
4	Efficiency (Typ.) (*1)	%	80	84	86	89	90
5	Input Voltage Range	-	36 - 76VDC				
6	Input Current (Typ.) (*1)	A	0.80	1.14	1.55	1.98	2.37
7	Output Voltage Accuracy (*1)	%	±1				
8	Output Voltage Range (*8)	-	-20%, +10%			±15%	
9	Maximum Ripple & Noise (*8)	mV	100	100	100	100	100
10	Maximum Line Regulation (*2)	mV	10	10	10	10	10
11	Maximum Load Regulation (*3)	mV	10	10	10	10	10
12	Over Current Protection (*4)	-	105% - 140% (Option availavle : Refer to option table)				
13	Over Voltage Protection (*5)	-	120% - 140% (Option availavle : Refer to option table)				
14	Remote Sensing (*6)	-	Possible				
15	Remote ON/OFF Control	-	Possible (Option availavle : Refer to option table)				
16	Parallel Operation (*6)	-	Possible				
17	Series Operation (*6)	-	Possible				
18	Operating Temperature (*7)	-	Baseplate : -40°C - +100°C / MIN Ambient Temperature : -40°C				
19	Operating Humidity	-	5 - 95%RH (No Dewdrop)				
20	Storage Temperature	-	-40°C - +100°C				
21	Storage Humidity	-	5 - 95%RH (No Dewdrop)				
22	Cooling (*7)	-	Conduction Cooled / Forced air cooled				
23	Temperature Coefficient (%)	-	Less than 0.02%/°C				
24	Withstand Voltage	-	Input-Baseplate : 1.5kVDC, Input-Output : 1.5kVDC for 1min Output-Baseplate : 500VDC for 1min				
25	Isolation Resistance	-	More than 100MΩ at 25°C and 70%RH Output-Baseplate...500VDC				
26	Vibration	-	At No Operating, 10-55Hz (Sweep for 1min.) Amplitude 0.825mm Constant (Maximum 49.0m/s ²) X, Y, Z 1 hour each				
27	Shock	-	196.1m/s ²				
28	Weight (Typ.)	g	75				
29	Size (W×H×D)	mm	36.8×12.7×57.9 (Refer to Outline Drawing)				

=NOTES=

- *1. At 48VDC, maximum output current, Baseplate Temperature = +25°C.
- *2. 36 - 76VDC, constant load.
- *3. No load - Full load, constant input voltage.
- *4. Constant current limiting.
(The unit automatically shutdown when left in OCP condition, with the output voltage less than the LVP level.)
Auto restart option available.
- *5. Inverter shutdown method, manual reset. Auto restart option availa
- *6. Refer to Instruction manual (C163-04-01_ or C163-04-11_).
- *7. Refer to derating curve on the Right and Instruction manual.
(C163-04-01/B_ or C163-04-11/B_)
- *8. External components are needed for operation.
(Refer to basic connection (C163-01-02/B_) and Instruction man
(C163-04-01_ or C163-04-11_))

= DERATING CURVE =

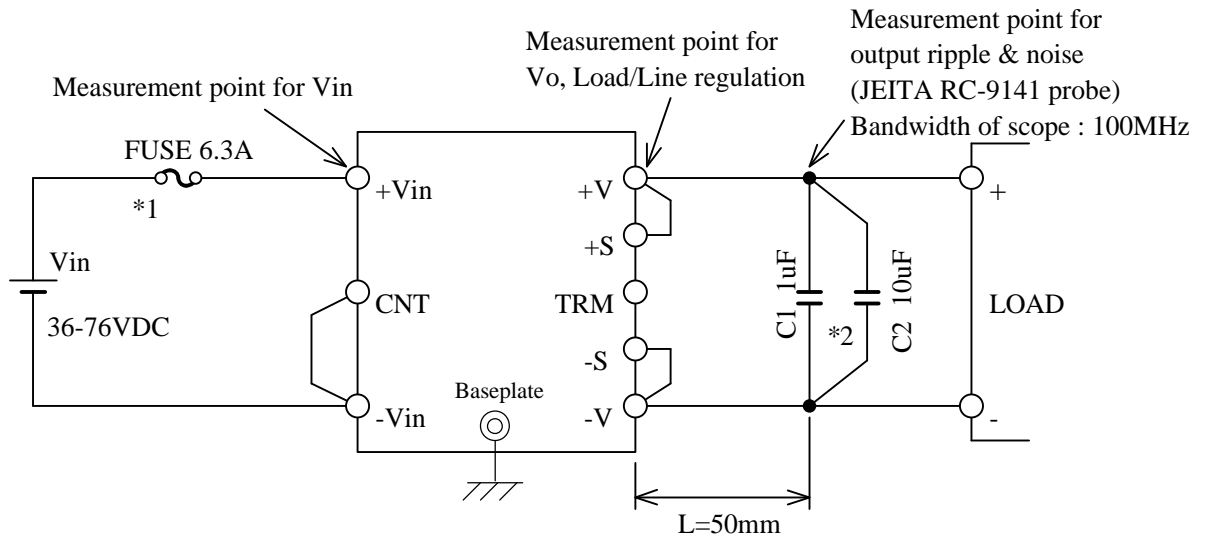


PAQ100S48-*/B

C163-01-02/B-A

(This specifications sheet also apply to option model /BV, /BP, /BPV)

1. BASIC CONNECTION



==NOTES==

- *1. Use an external fuse (fast blow type) for each unit.
- *2. Put output capacitors.
 C1: 1uF ceramic capacitor.
 C2: 10uF tantalum capacitor or electrolytic capacitor.
- *3. Refer to instruction manual for further details.

2. OPTION TABLE

Option	OVP, OCP	Remote ON/OFF control
/B	Shut down (ON/OFF control reset or manual reset)	Negative (Short : ON, Open : OFF)
/BV	Auto restart	
/BP	Shut down (ON/OFF control reset or manual reset)	Positive (Short : OFF, Open : ON)
/BPV	Auto restart	