

PSS1R5-12-\*

## SPECIFICATIONS

C181-01-01B

MODEL		PSS1R5-12-3R3	PSS1R5-12-5	PSS1R5-12-12	
ITEMS					
1	Nominal Output Voltage	V	3.3	5	12 (15)
2	Maximum Output Current	A	0.4	0.3	0.13 (0.1)
3	Maximum Output Power	W	1.32	1.5	1.56
4	Efficiency (Typ.) (*1)	%	73	78	81
5	Input Voltage Range	-	9.0 ~ 18.0VDC		
6	Input Current (Typ.) (*1)	A	0.16	0.17	0.17
7	Output Voltage Accuracy (*1)	%	±5		
8	Output Voltage Range (Typ.)	V	2.84 ~ 3.67	4.3 ~ 6.0	12 ~ 15
9	Maximum Ripple & Noise (*2)	mV	100	100	120
10	Maximum Line Regulation (*3)	mV	20		
11	Maximum Load Regulation (*4)	mV	40		
12	Over Current Protection (*5)	-	Yes		
13	Over Voltage Protection	-	No		
14	Parallel Operation	-	-		
15	Series Operation	-	Possible		
16	Operating Temperature (*6)	-	-40°C ~ 85°C		
17	Operating Humidity	-	5% - 95%RH (No Dewdrop)		
18	Storage Temperature	-	-40°C ~ 85°C		
19	Storage Humidity	-	5% - 95%RH (No Dewdrop)		
20	Cooling	-	Convection Cooling / Forced air cooling		
21	Temperature Coefficient (%)	-	Less than 0.02%/°C		
22	Withstand Voltage	-	Input-Output, Input-Case : 500VAC for 1min (20mA)		
23	Isolation Resistance	-	More than 100MΩ at 25°C and 70%RH Output-Case : 500VDC		
24	Vibration	-	At No Operating, 10-55Hz Amplitude (Sweep for 1min.) 1.52mm Constant (Maximum 88.3m/s <sup>2</sup> ) X,Y,Z 2 hour each		
25	Shock	-	196.1m/s <sup>2</sup>		
26	Weight (Typ.)	g	4		
27	Size (WxHxD)	mm	20.0 x 8.0 x 16.0 (Refer to Outline Drawing)		

= NOTES =

\*1. At 12VDC and maximum output power and Ta=+25°C.

\*2. This is specified at the output terminals by JEITA RC-9141 measuring method.

\*3. From 9.0 ~ 18.0VDC, constant load.

\*4. From No load - Full load, constant input voltage.

\*5. Constant current limiting with automatic recovery.

Avoid to operate over load or dead short for longer than 30 sec.

(Refer to instruction manual for details.)

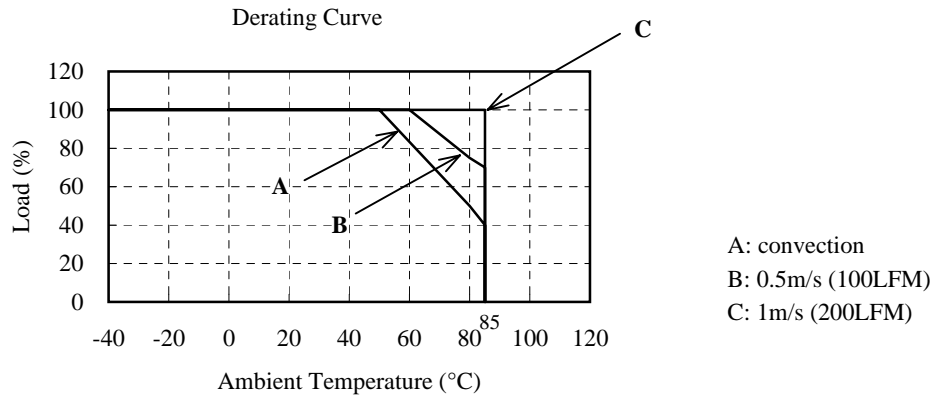
\*6. Rating - Refer to derating curve (C181-01-02\_).

- Load(%) is percent of maximum output current.

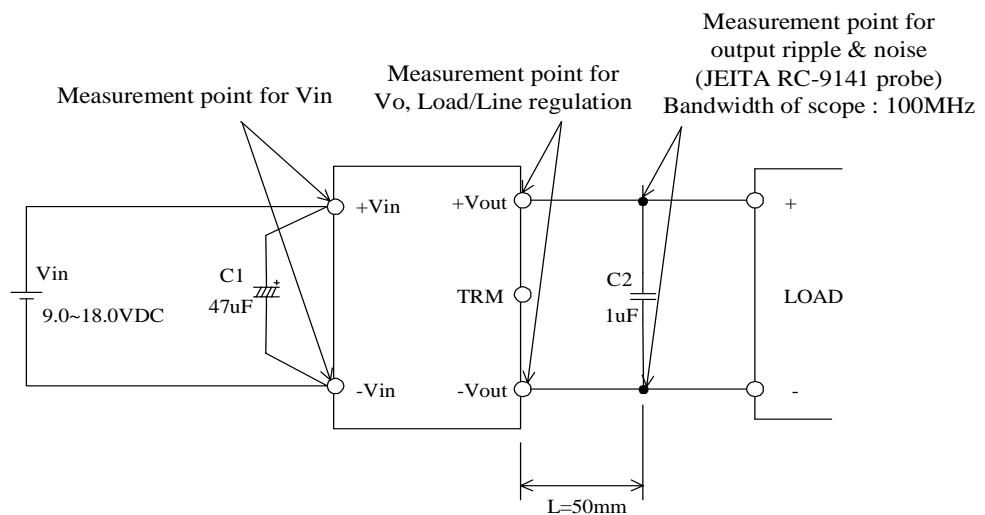
PSS1R5-12-\*

C181-01-02

## 1. DERATING CURVE



## 2. BASIC CONNECTION



==NOTES==

- \*1. Put input capacitors.  
C1: 47 $\mu$ F
- \*2. Put output capacitors.  
C2: 1 $\mu$ F ceramic capacitor.
- \*3. Refer to instruction manual for further details.