

60A Non-isolated SMT Point of Load with PMBus

Features

- ◆ Only 1.0 in² Board Space
- ◆ PMBus Compliant (Read & Write)
- ◆ Surface Mountable
- ◆ Digital Adaptive Control
- ◆ Parallel Operation with Current Sharing
- ◆ Configurable Sequence & Fault Management



Key Market Segments & Applications



Specifications		
Model		iJB12
DC Output Voltage	V	0.6 - 2.0V
DC Output Power (max)	W	120W
DC Input Voltage	V	8 - 14V
Efficiency	%	85 - 93%
Output Voltage Tolerance	%	±1.2
Line Regulation	mV	4 (Typical)
Load Regulation	mV	4 (Typical)
External Load Capacitance	uF	1000 - 5000
Output Ripple and Noise	mVpp	20
Overcurrent Protection (Typ)	A	65A
Remote On / Off	-	Negative Logic or Positive Logic (See model selector)
Remote Sense	-	Yes
Power Good	-	Yes
Operating Temp	°C	-40 to 120 (see thermal data on website)
Storage Temperature	°C	-55 to 125
Safety Agency Approvals	-	IEC/UL/CSA/EN62368-1, 60950-1, CE Mark
Weight	g / oz	12.2g / 0.43 oz
Size (LxWxH)	mm / in.	26.8 x 24.08 x 9.68 (1.05 x 0.95 x 0.381")
Warranty	yrs	3 years

Last time buy date 16 Sept. 2019

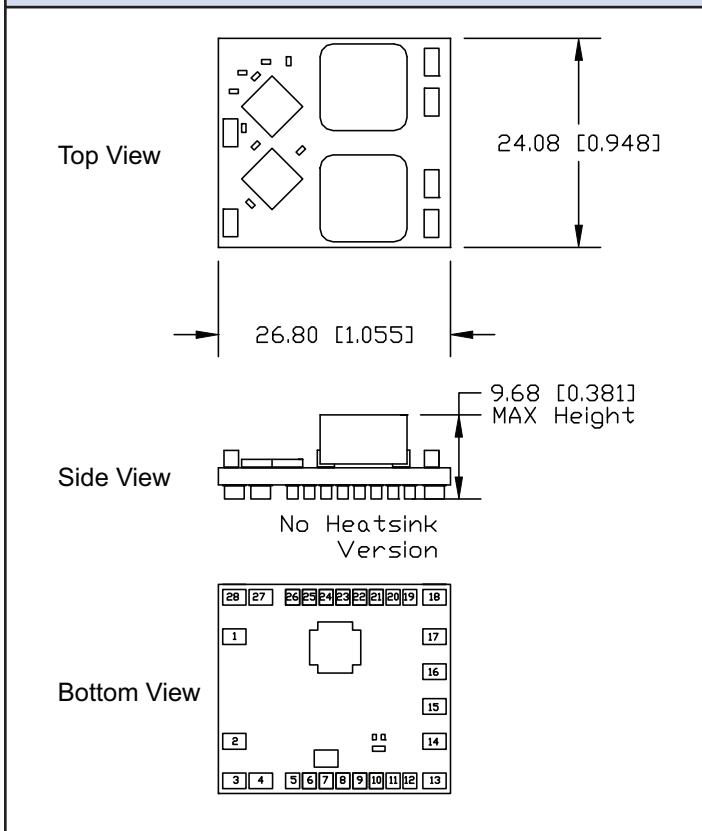
Model Selector

Model	Input Voltage (V)	Output Current (A)	Output Voltage (V)	Remote On/Off	OCP/OVP Recovery
iJB12060A006V-001-R (1)	8 - 14	60	0.6 - 2.0	Negative	Automatic
iJB12060A006V-002-R	8 - 14	60	0.6 - 2.0	Positive	Automatic
iJB12060A006V-003-R	8 - 14	60	0.6 - 2.0	Negative	Automatic

(1) Standard Transient Response.

Preferred Model

Outline Drawing



Pinout

PIN	Function	PIN	Function
1	+V Input	15	+V Output
2	+V Input	16	+V Output
3	Power Ground (0V)	17	+V Output
4	Power Ground (0V)	18	Power Ground (0V)
5	Signal Ground (0V)	19	PMBus Clock
6	Not Connected	20	PMBus Data
7	Output Trim	21	PMBus Alarm
8	PMBus Address	22	Remote On/Off
9	Not Connected	23	Fault Mgmt
10	Set Parallel Operation (PSET)	24	Power Good
11	+ Remote Sense	25	Current Share
12	- Remote Sense	26	Synchronize
13	Power Ground (0V)	27	Power Ground (0V)
14	+V Output	28	Power Ground (0V)

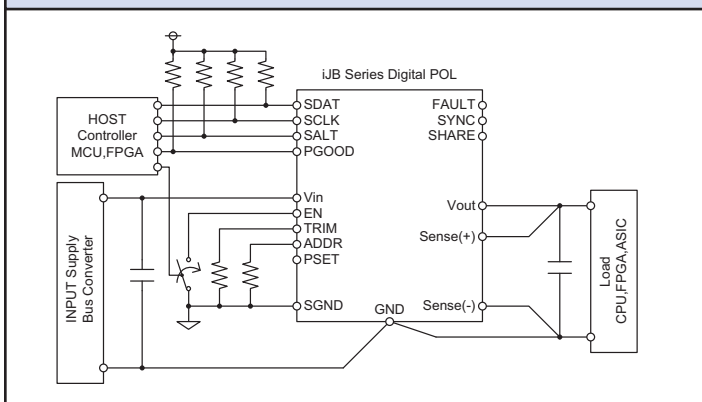
Evaluation Board

Evaluation kit part #	Contents
iJB60A-003-EVKIT-S1	Evaluation board with one piece of iJB12060A006V-003-R PMBus Dongle Board & USB cable CD ROM User manual available at iJx series technical file in our website

Other Industrial Products

CC-E	1.5 - 30W 5, 12, 24 or 48V input isolated DC-DC converters
PX	10 - 60W 12, 24 or 48V input isolated DC-DC converters
iAF, iBF, iCF, iCG	3 - 20A DOSA2 non isolated DC-DC converters
iQE, iQL, iQG	96 - 400W Quarter bricks
iEH	300W Eighth brick

Typical Application Circuit



For Additional Information, please visit
<https://product.tdk.com/en/power/>



Last time buy date 16 Sept. 2019