

Tape and Reel Specification

Tape and Reel Packing

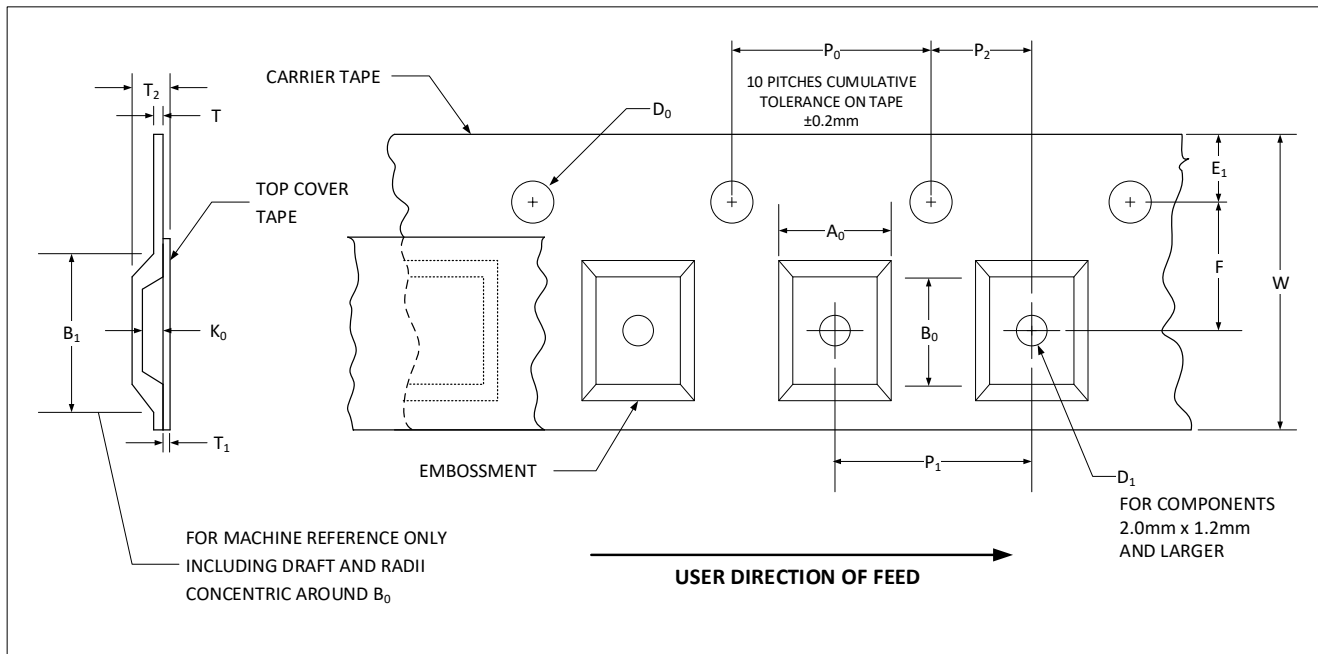
This specification applies to all Faraday Semi packages sold in Tape and Reel packing. The Tape and Reel packing specification is in accordance to the EIA-481 standard, with the exception to the package orientation in the carrier tape. User is to consult the **Package Orientation in Cavity** section for Pin-1 orientation of all packages.

Tape and Reel Specification by Package

Refer to the **Carrier Tape Dimensions** section for dimensions of specific carrier tape.

Pkg Designator	Package Type	Body Size	Pin Count	Carrier Dimensions		Reel Diameter	Units per Reel
				W	P ₁		
A01	Open Top LGA-SiP	3.30x3.30x1.45 mm	17	12mm	8mm	330mm	3,000
A02	Open Top LGA-SiP	3.30x3.30x1.62 mm	17	12mm	8mm	178mm	250
						330mm	4,000
A03	LGA SiP	5.8x4.9x1.6 mm	22	12mm	8mm	178mm	250
						330mm	3,900

Embossed Carrier Tape Dimensions (8, 12, 16, and 24mm)



Constant Dimensions for Embossed 8mm ~ 24mm Carrier Tape

Tape Width	D ₀	E ₁	P ₀	P ₂	T Max	T ₁ Max	A ₀ , B ₀ , K ₀
8mm 12mm 16mm 24mm	1.5 ^{+0.10} _{-0.00}	1.75 ± 0.10	4.0 ± 0.10	2.0 ± 0.05	0.600	0.10	See Note 1

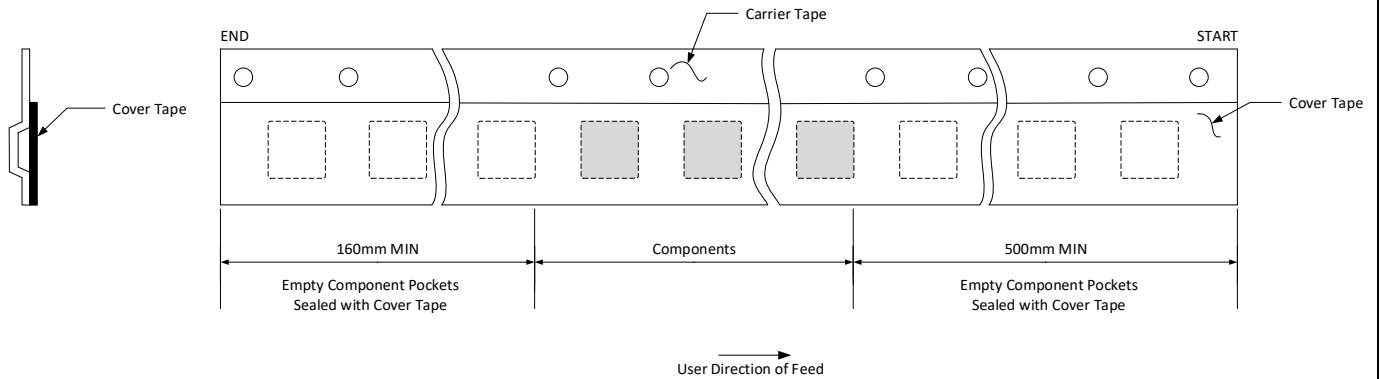
Variable Dimensions for Embossed 8mm ~ 24mm Carrier Tape

Tape Width	B ₁ Max	D ₁ Min	F	T ₂ Max	Bending Radius Min	W Max
8mm	4.35	1.0	3.50 ± 0.05	2.5	25	8.3
12mm	8.2	1.5	5.50 ± 0.05	6.5	30	12.3
16mm	12.1	1.5	7.50 ± 0.05	8.0	40	16.3
24mm	20.1	1.5	11.50 ± 0.05	12.0	50	24.3

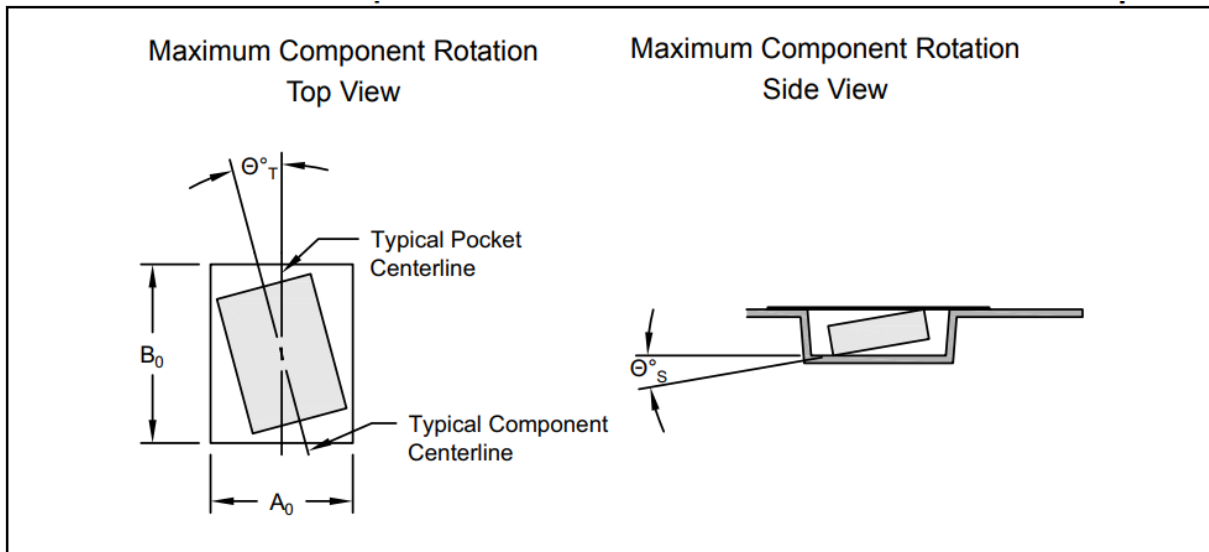
Note 1: The cavity defined by A₀, B₀, and K₀ shall ensure that:

- The component does not protrude above the top surface of the carrier tape
- The component can be removed from the cavity in a vertical direction without mechanical restriction after the top cover tape has been removed

Tape Leader and Trailer Specifications



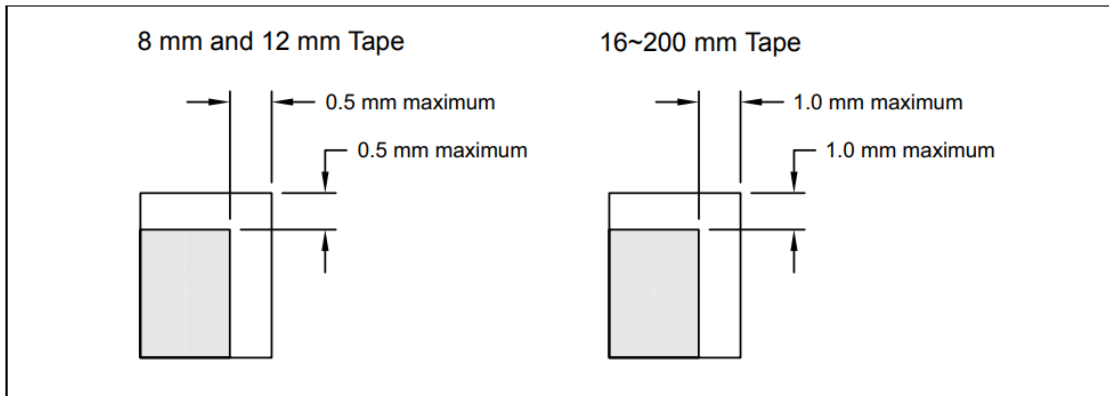
Maximum Component Rotation for Carrier Tape



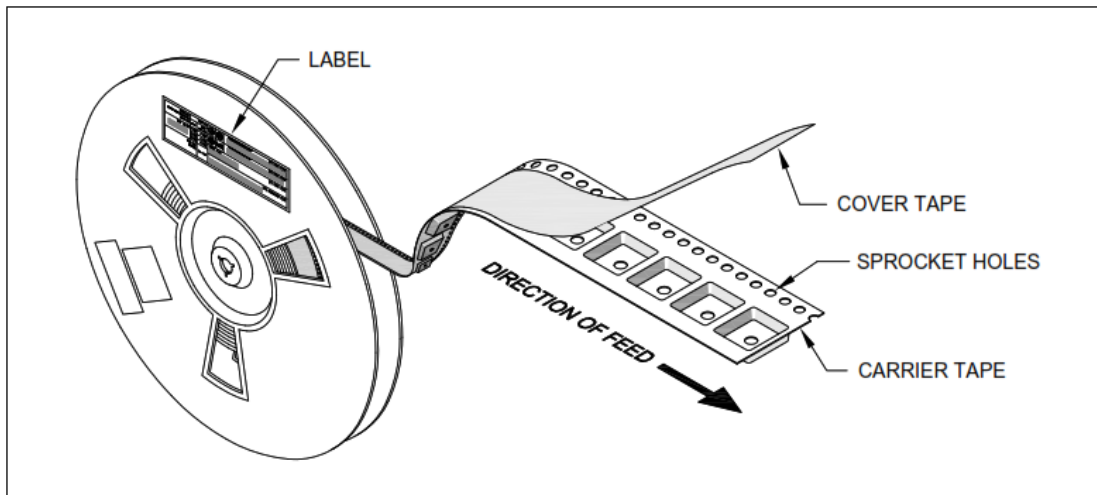
Tape Width (mm)	Maximum Rotation Θ°_T
8, 12	20
16 ~ 200	10

Tape Width (mm)	Maximum Rotation Θ°_S
8, 12	20
16 ~ 56	10
72 ~ 200	5

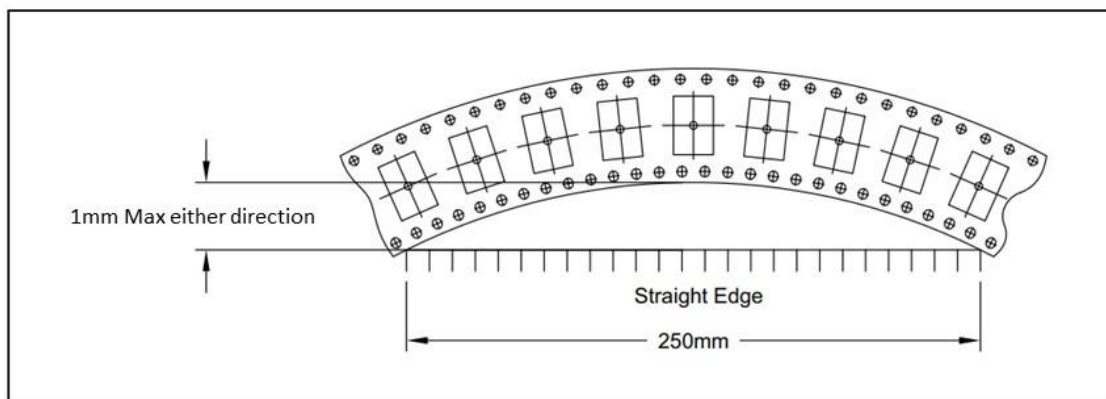
Maximum Lateral Movement for Carrier Tape



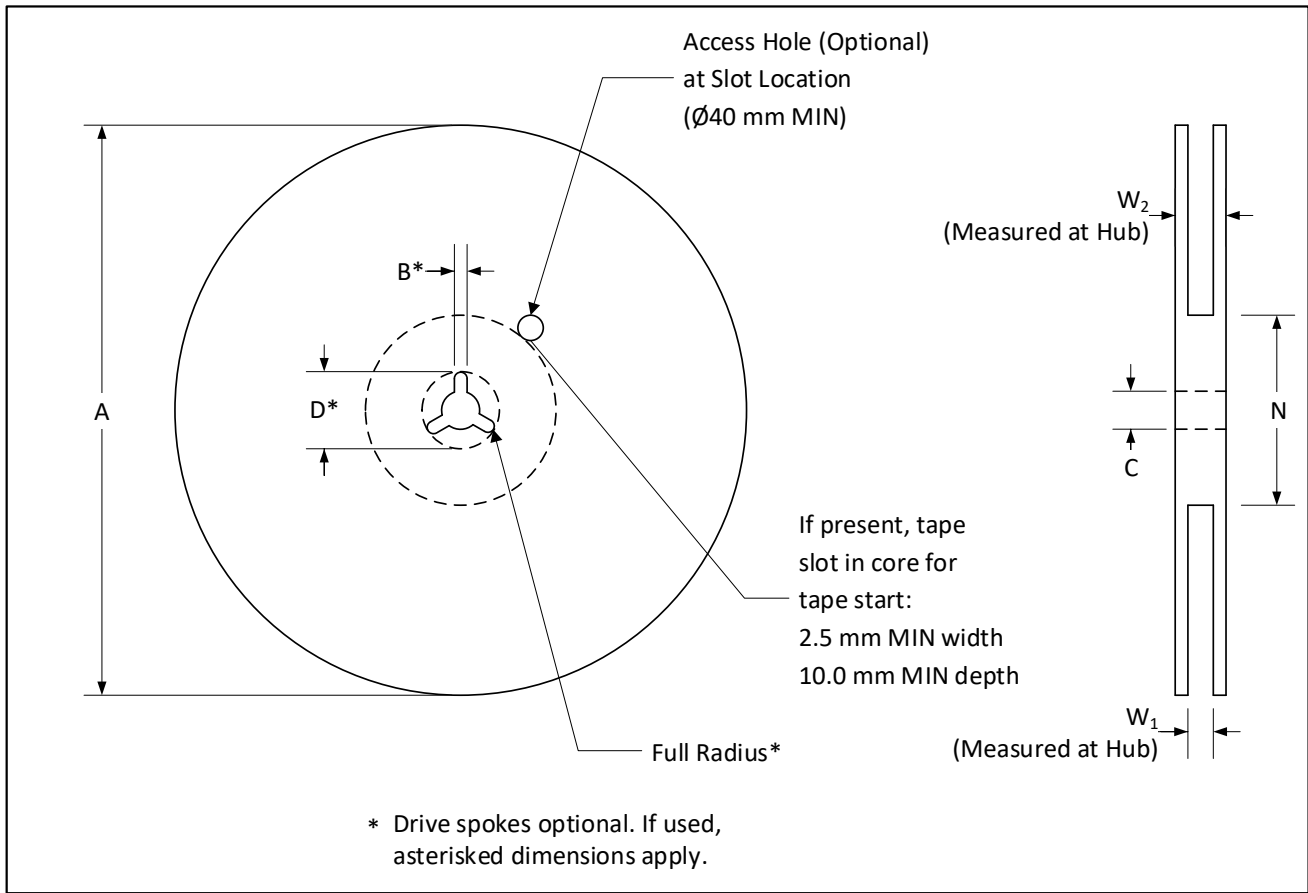
Bar Code Label Area for Carrier



Carrier Tape Camber Specification



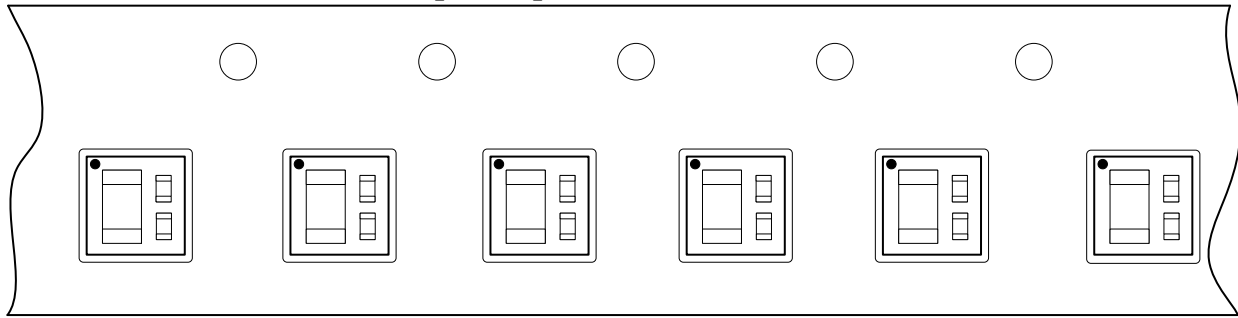
Reel Dimensions

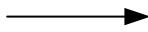


Tape Width	A (Max)	B (Min)	C	D* (Min)	N (Min)	W ₁	W ₂ (Max)
8mm	180	1.5	13.0 ^{+0.5} _{-0.2}	20.2	60	8.4 ^{+1.5} _{-0.0}	14.4
	330	1.5	13.0 ^{+0.5} _{-0.2}	20.2	50	8.4 ^{+1.5} _{-0.0}	14.4
12mm	180	1.5	13.0 ^{+0.5} _{-0.2}	20.2	60	12.4 ^{+2.0} _{-0.0}	18.4
	330	1.5	13.0 ^{+0.5} _{-0.2}	20.2	50	12.4 ^{+2.0} _{-0.0}	18.4
16mm	330	1.5	13.0 ^{+0.5} _{-0.2}	20.2	50	16.4 ^{+2.0} _{-0.0}	22.4
24mm	330	1.5	13.0 ^{+0.5} _{-0.2}	20.2	50	16.4 ^{+2.0} _{-0.0}	22.4

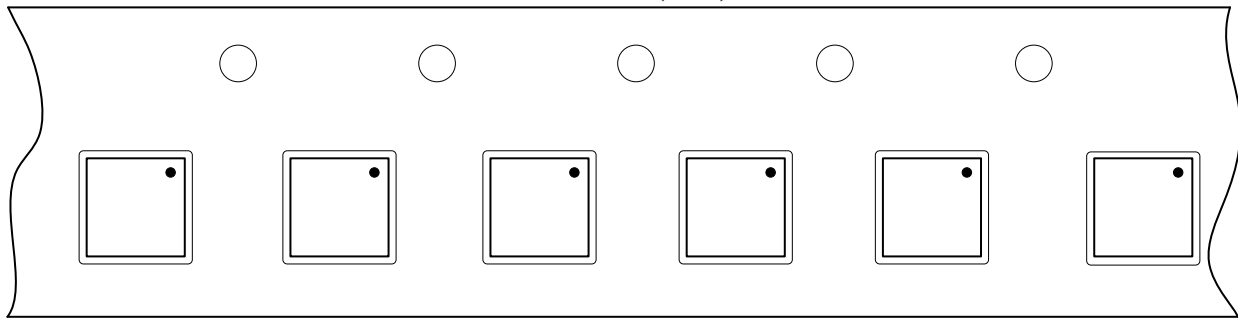
Package Orientation in Cavity

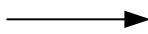
Open-Top LGA-SiP (A01, A02)




 User Direction of Feed

LGA-SiP (A03)




 User Direction of Feed

Sample Reel and Inner Box

