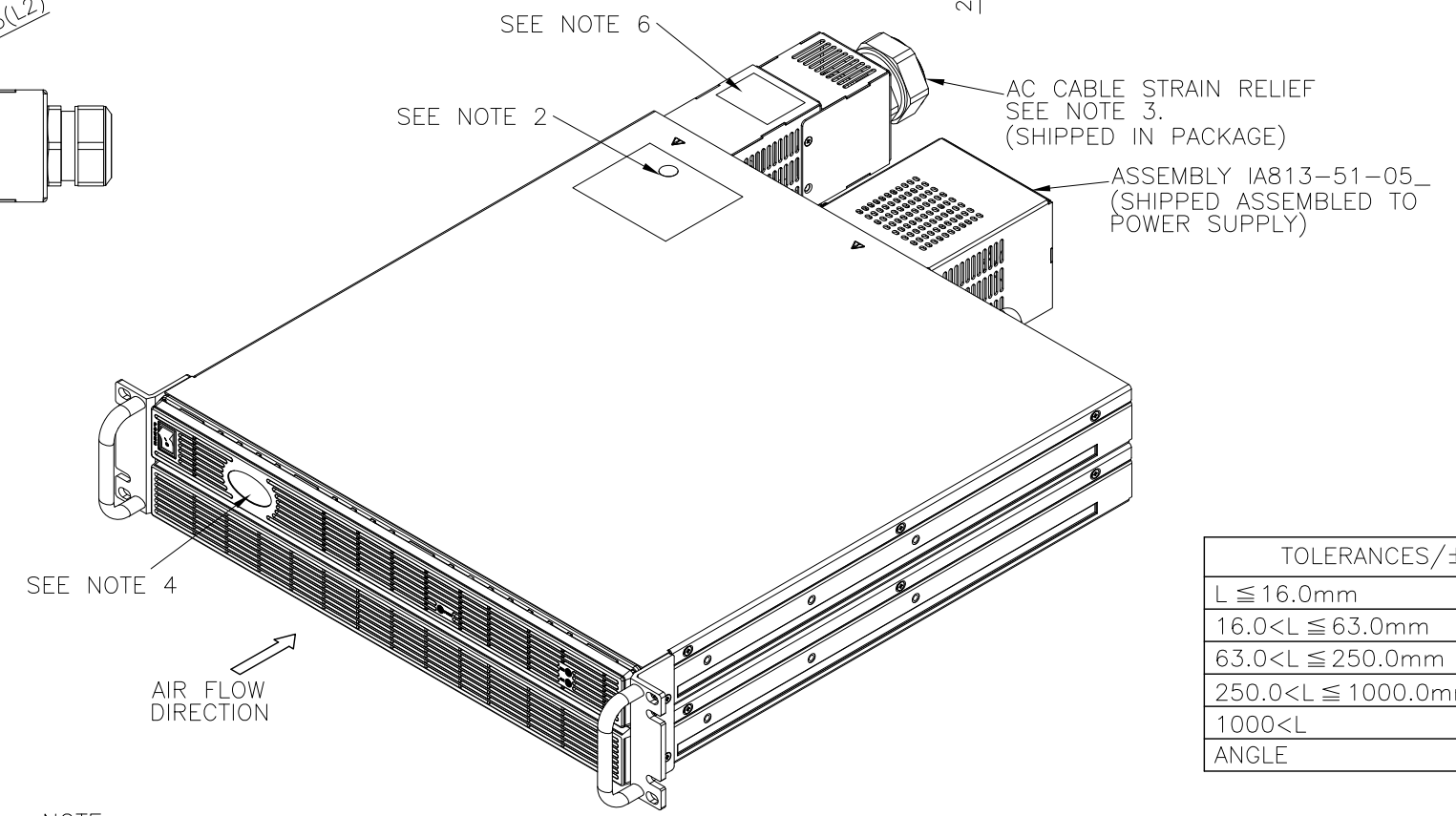
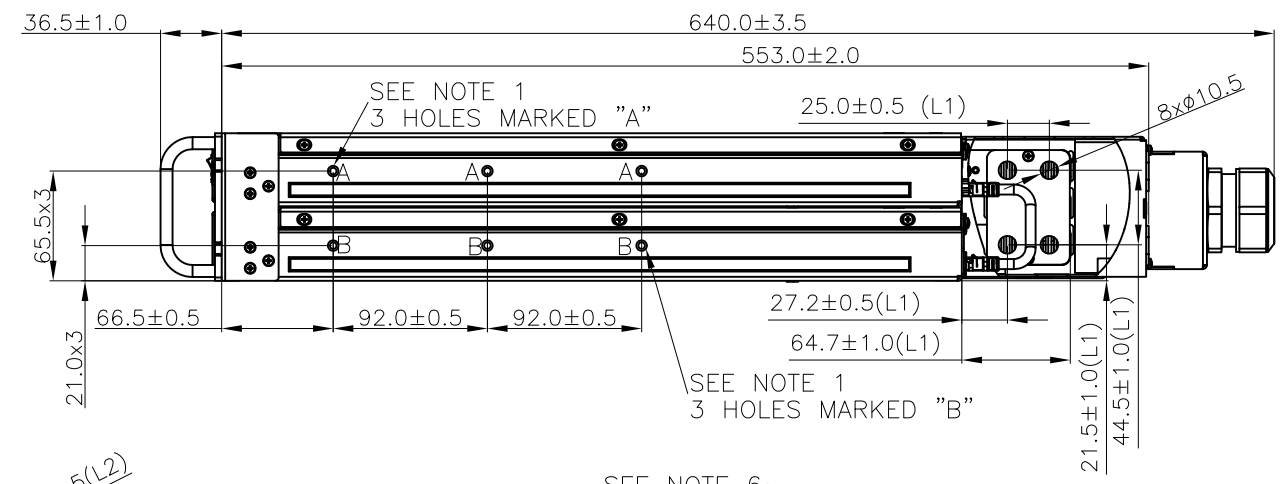
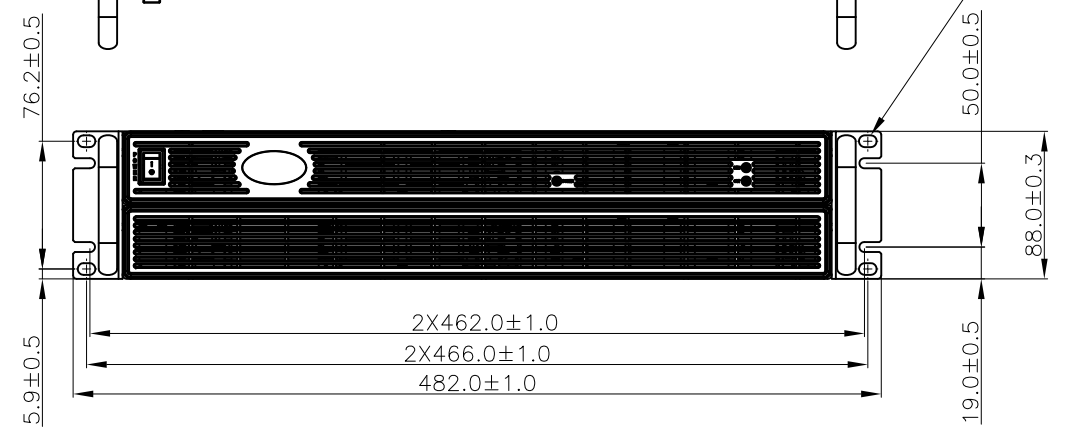
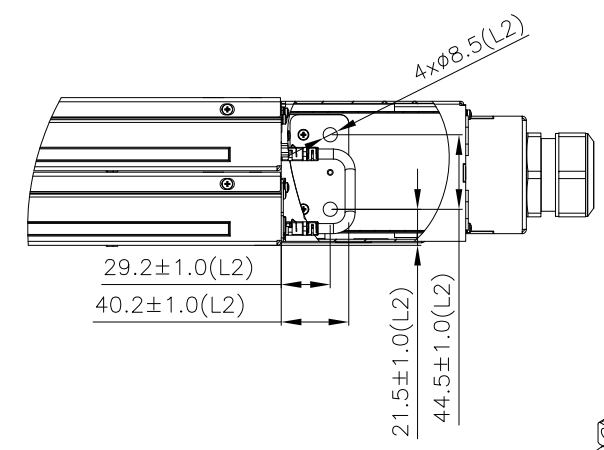


TABLE 1

MODEL	DIMENSION
10-40(V)	L1
60-100(V)	L2



TOLERANCES/±	
L ≤ 16.0mm	0.1
16.0 < L ≤ 63.0mm	0.2
63.0 < L ≤ 250.0mm	0.3
250.0 < L ≤ 1000.0mm	0.5
1000 < L	0.8
ANGLE	±0.5°

- NOTE
1. MOUNTING HOLES FOR SLIDES P/N:CC3001-00-S160,GENERAL DEVICES OR, EQUIVALENT. USE #10-32X0.38 INCH x3 SCREW FOR EACH SIDE IN POSITION MARKED "A" OR "B". INSURE THAT THE SCREWS DO NOT PENETRATE MORE THAN 6.0mm INTO THE UNIT.
 2. AC INPUT RATING , SAFETY APPROVAL SYMBOLS AND EU REPRESENTATIVE ADDRESS ARE SHOWN HERE ACCORDING TO THE SPECIFICATION.
 3. STRAIN RELIEF DEVICE P/N:F7024000 SIB.
 4. MODEL NAME, OUTPUT RATING AND COMPANY LOGO ARE SHOWN HERE ACCORDING TO SPECIFICATION.
 5. MOUNTING HOLES FOR 19" RACK, USE M6x16 SCREWS TO FIX THE UNIT TO THE RACK.
 6. WARNING LABEL "HIGH LEAKAGE CURRENT".

(unit : mm)

MODEL NAME	GBSP LV 10KW
TDK-Lambda	
IA813-02-03B	