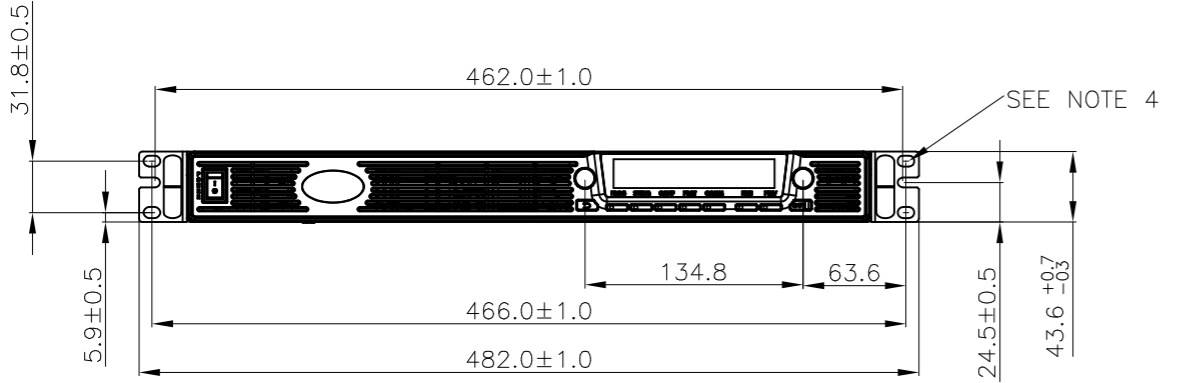
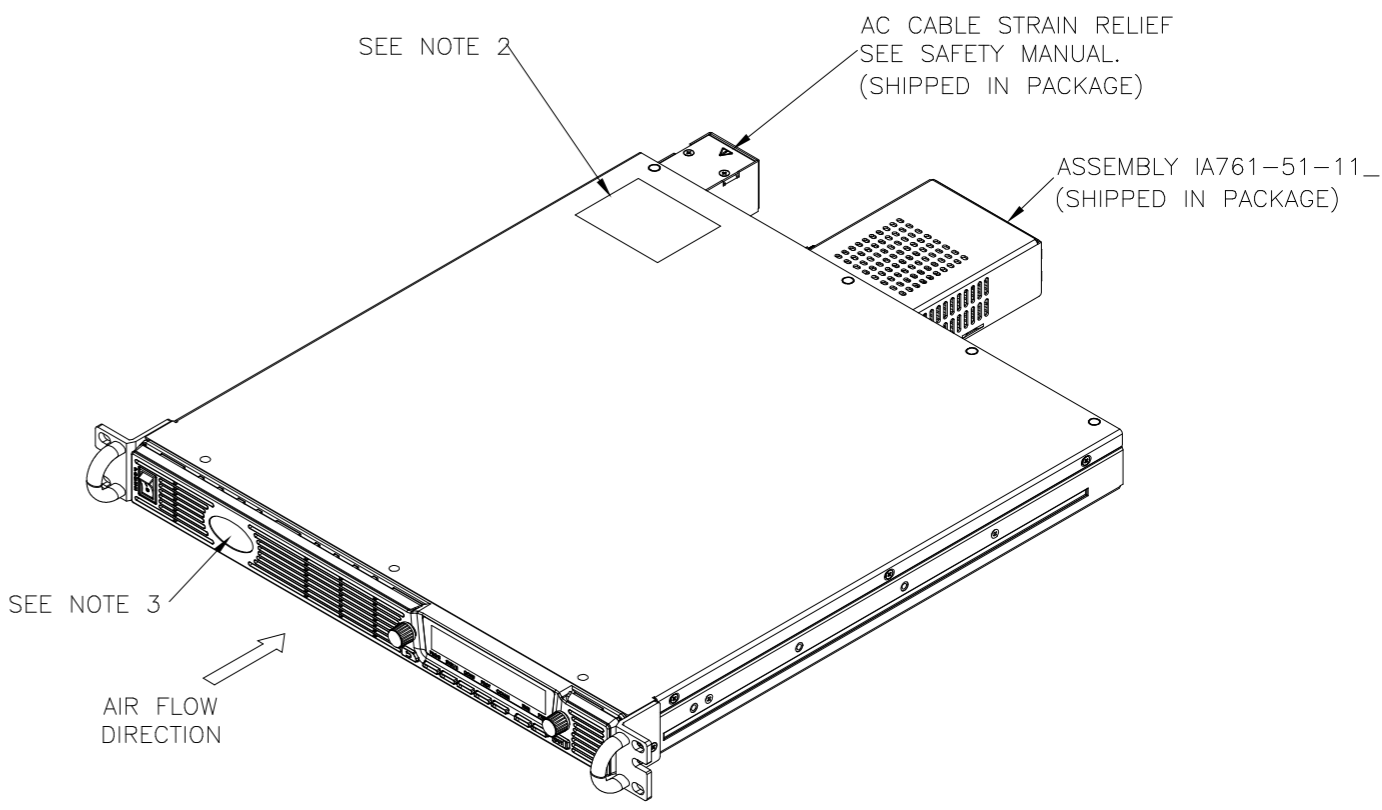


SEE NOTE 1.  
3 HOLES MARKED "A"



TOLERANCES/±	
L ≤ 16.0mm	0.1
16.0 < L ≤ 63.0mm	0.2
63.0 < L ≤ 250.0mm	0.3
250.0 < L ≤ 1000.0mm	0.5
1000 < L	0.8
ANGLE	±0.5°

- NOTE
1. MOUNTING HOLES FOR SLIDES P/N:CC3001-00-S160,GENERAL DEVICES OR EQUIVALENT.  
USE #10-32x0.38INCH x3 SCREWS FOR EACH SLIDE.  
ENSURE THAT THE SCREWS DO NOT PENETRATE MORE THAN 6.0mm INTO THE UNIT.
  2. AC INPUT RATING , SAFETY APPROVAL SYMBOLS AND EU REPRESENTATIVE ADDRESS LABEL  
ARE SHOWN HERE ACCORDING TO THE SPECIFICATIONS.
  3. MODEL NAME , OUTPUT RATING AND COMPANY LOGO ARE SHOWN HERE ACCORDING TO THE SPECIFICATIONS.
  4. MOUNTING HOLES FOR 19" RACK,USE M6x16 SCREWS TO FIX THE UNIT TO THE RACK.

(unit : mm)

MODEL NAME	GEN+ HV 1PH 1.7;2.7;3.4KW
<b>TDK-Lambda</b>	
IA761-02-04D	