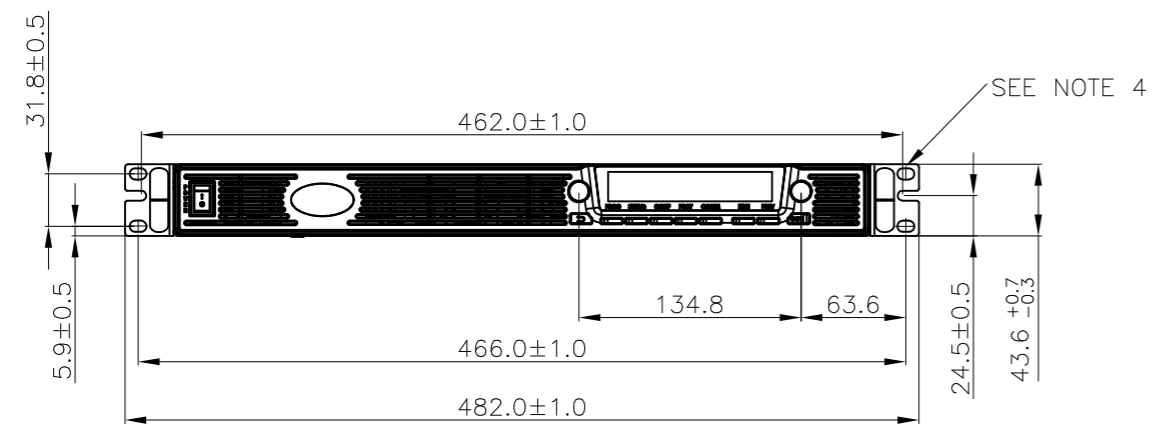
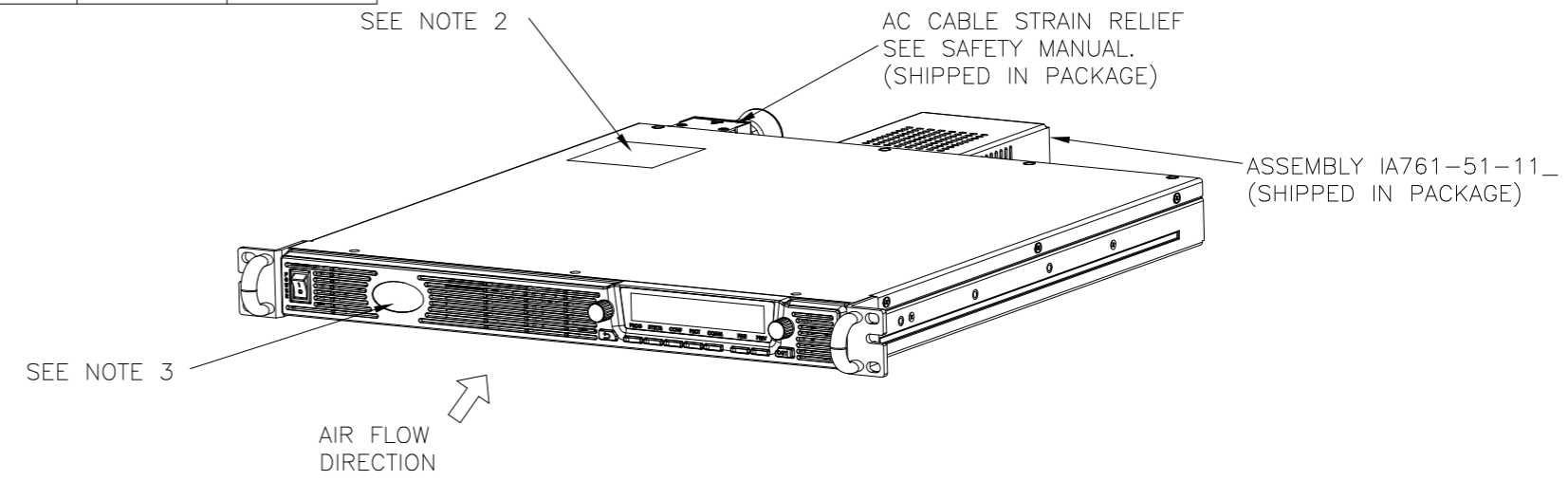


TABLE 1

KW	1.7	2.7	3.4
V			
10	L1	L1	L1
20-40	L2	L1	L1
60-100	L2	L2	L2



TOLERANCES/±	
L ≤ 16.0mm	0.1
16.0 < L ≤ 63.0mm	0.2
63.0 < L ≤ 250.0mm	0.3
250.0 < L ≤ 1000.0mm	0.5
1000 < L	0.8
ANGLE	±0.5°

- NOTE
1. MOUNTING HOLES FOR SLIDES P/N:CC3001-00-S160,GENERAL DEVICES OR EQUIVALENT. USE #10-32x0.38INCH x3 SCREWS FOR EACH SLIDE. ENSURE THAT THE SCREWS DO NOT PENETRATE MORE THAN 6.0mm INTO THE UNIT.
 2. AC INPUT RATING , SAFETY APPROVAL SYMBOLS AND EU REPRESENTATIVE ADDRESS LABEL ARE SHOWN HERE ACCORDING TO THE SPECIFICATIONS.
 3. MODEL NAME , OUTPUT RATING ANDCOMPANY LOGO ARE SHOWN HERE ACCORDING TO THE SPECIFICATIONS.
 4. MOUNTING HOLES FOR 19" RACK, USE M6x16 SCREWS TO FIX THE UNIT TO THE RACK.

(unit : mm)

MODEL NAME	GEN+ LV 1PH 1.7;2.7;3.4KW
TDK-Lambda	
IA761-02-02D	