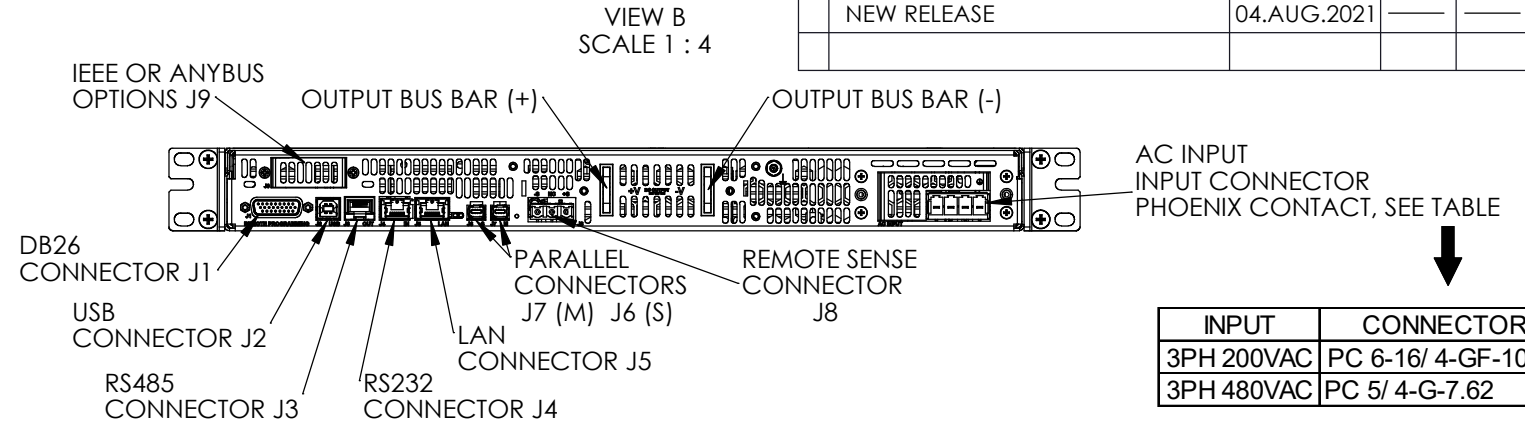
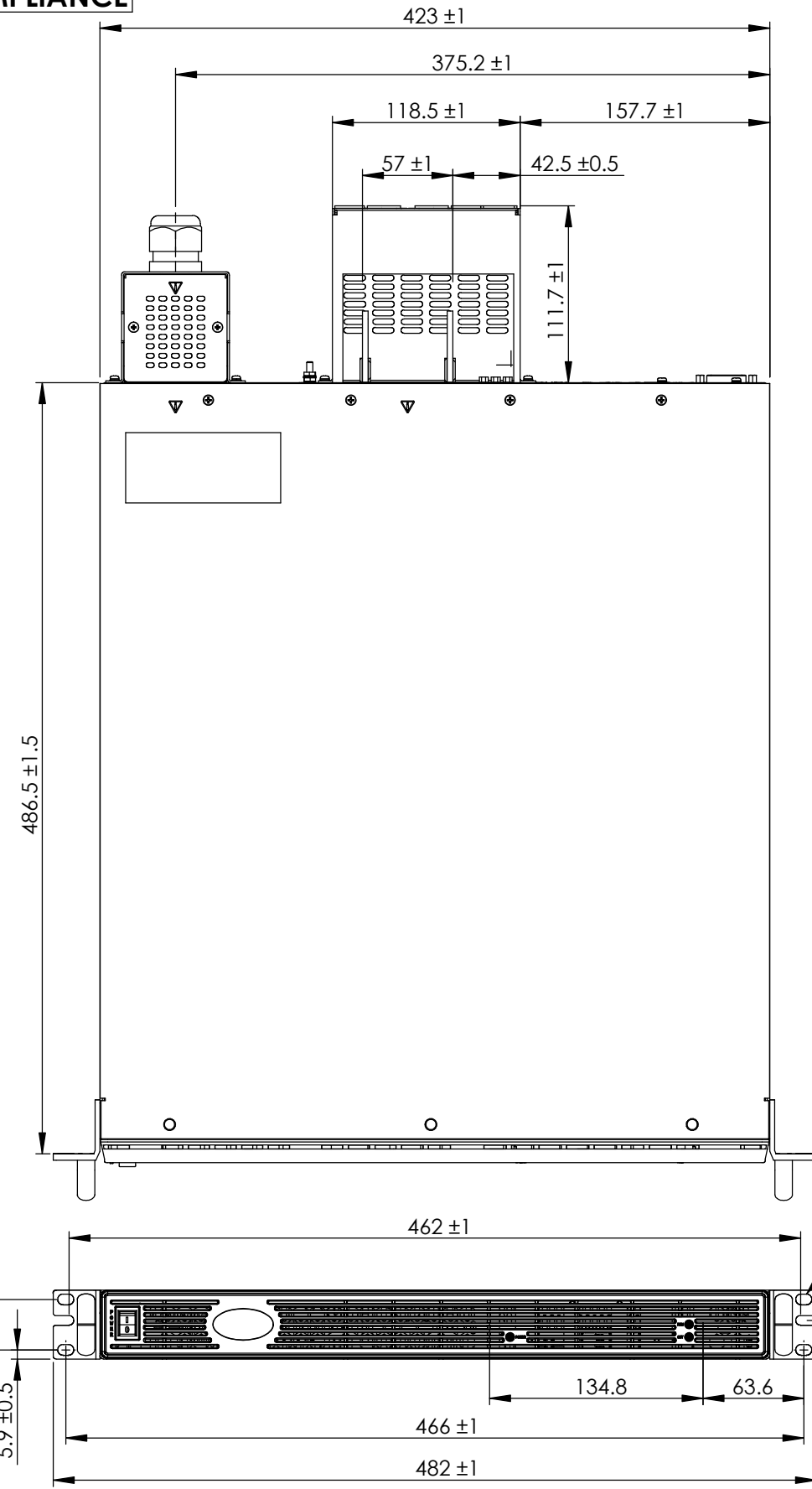
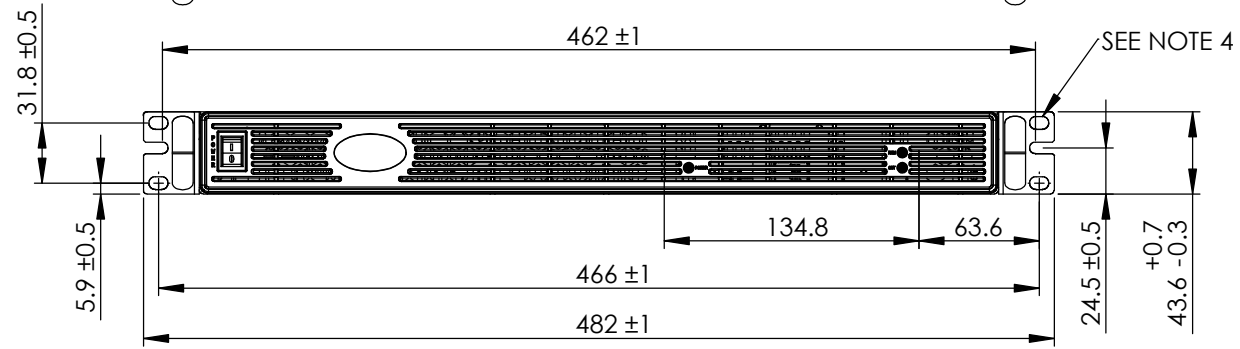
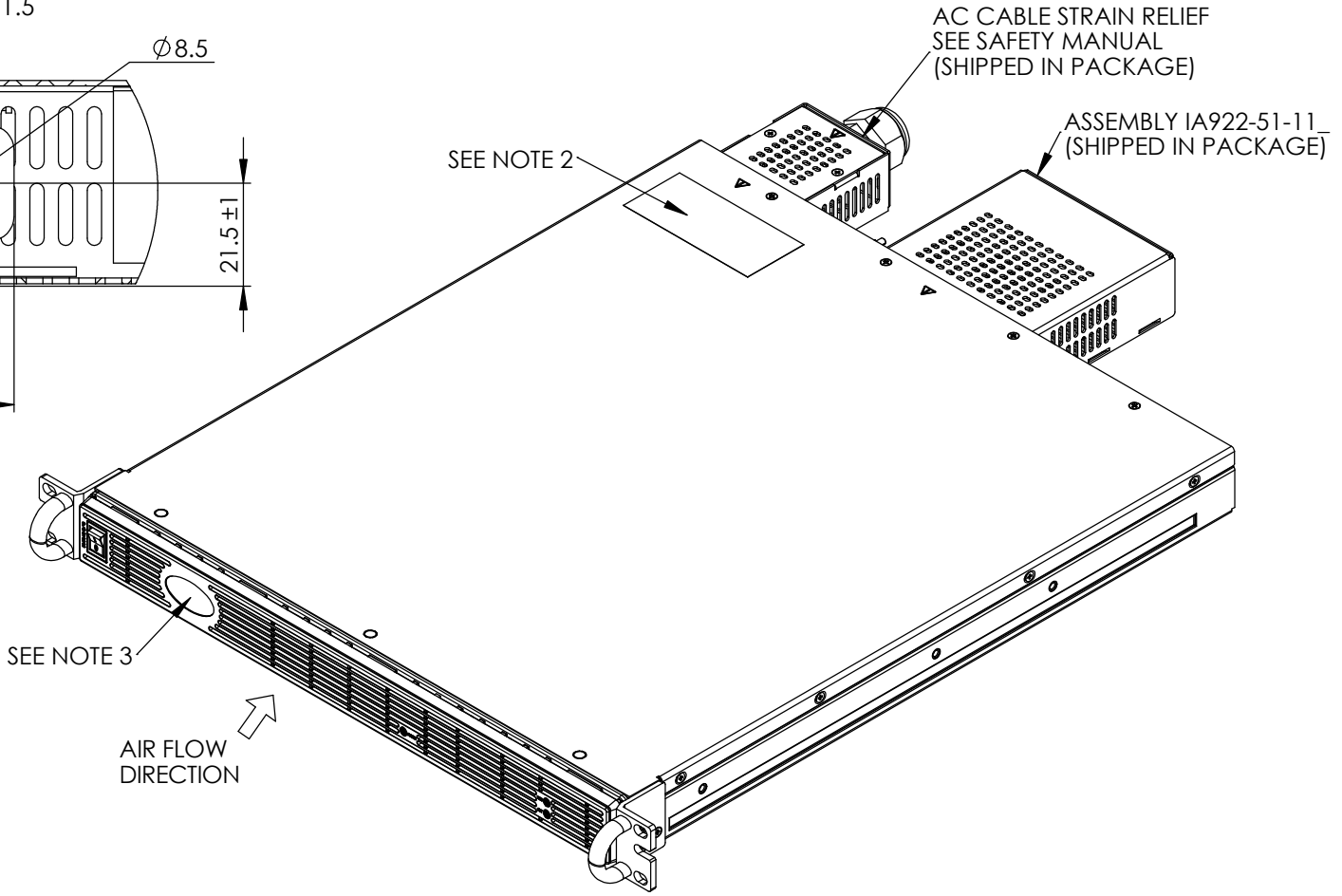
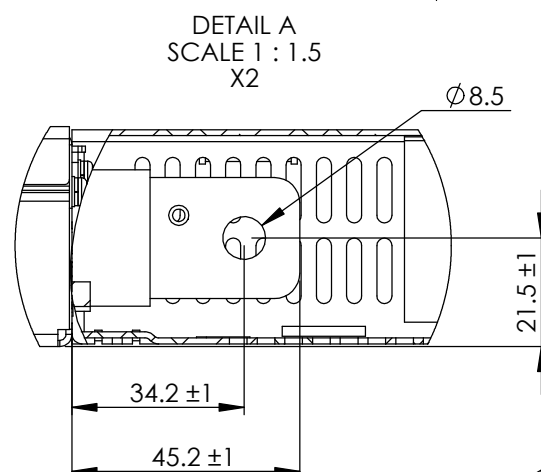
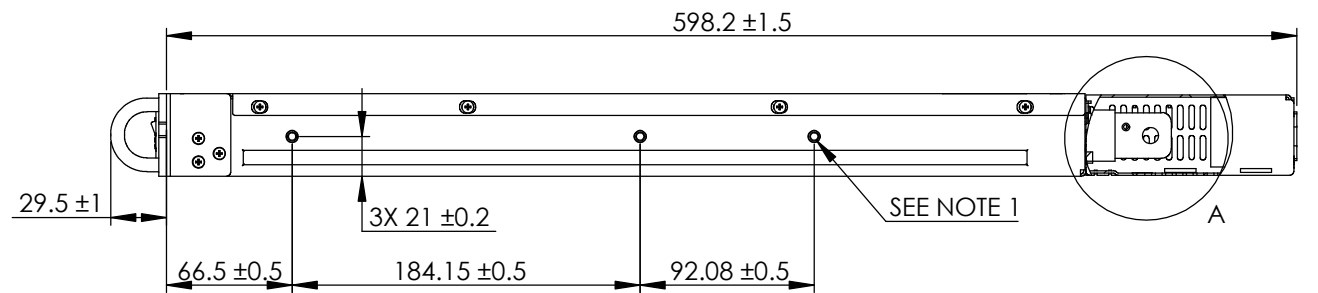


ROHS COMPLIANCE

D	CONTENTS	DATE	ENGR	CHK	APPD
	NEW RELEASE	04.AUG.2021			



INPUT	CONNECTOR
3PH 200VAC	PC 6-16/ 4-GF-10.16
3PH 480VAC	PC 5/ 4-G-7.62



- NOTE**
1. MOUNTING HOLES FOR SLIDES P/N:CC3001-00-S160, GENERAL DEVICES OR EQUIVALENT. USE #10-32x0.375 INCH x 3 SCREWS FOR EACH SLIDE. ENSURE THAT THE SCREWS DO NOT PENETRATE MORE THAN 6.0mm INTO THE UNIT.
 2. AC INPUT RATING, SAFETY APPROVAL SYMBOLS AND EU REPRESENTATIVE LABEL ARE SHOWN HERE ACCORDING TO THE SPECIFICATIONS.
 3. MODEL NAME, OUTPUT RATING AND COMPANY LOGO ARE SHOWN HERE ACCORDING TO THE SPECIFICATIONS.
 4. MOUNTING HOLES FOR 19" RACK, USE M6x16 SCREWS TO FIX THE UNIT TO THE RACK.

APPD	PerryM	SHEET	OF	MATERIALS	TITLE	G+7.5KW BLANK 150V~1500V
CHK	K.ROMAN	1	1		DRAWING	OUTLINE DRAWING
ENGR	MichaelB	SCALE	NONE	FINISH	No.	IA922-02-04
		UNITS	mm			TDK-Lambda
		3RD ANGLE PROJECTION				