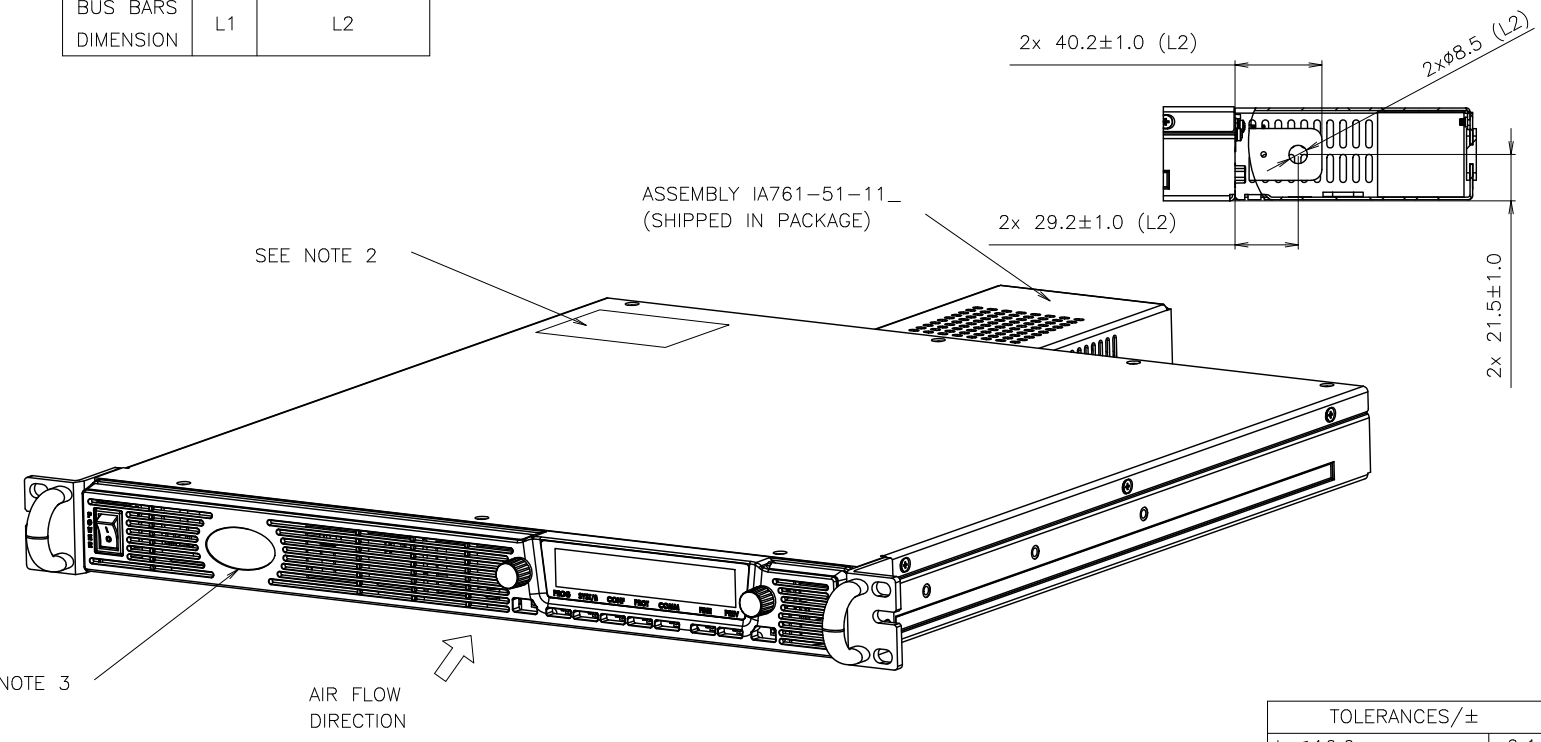


TABLE 1

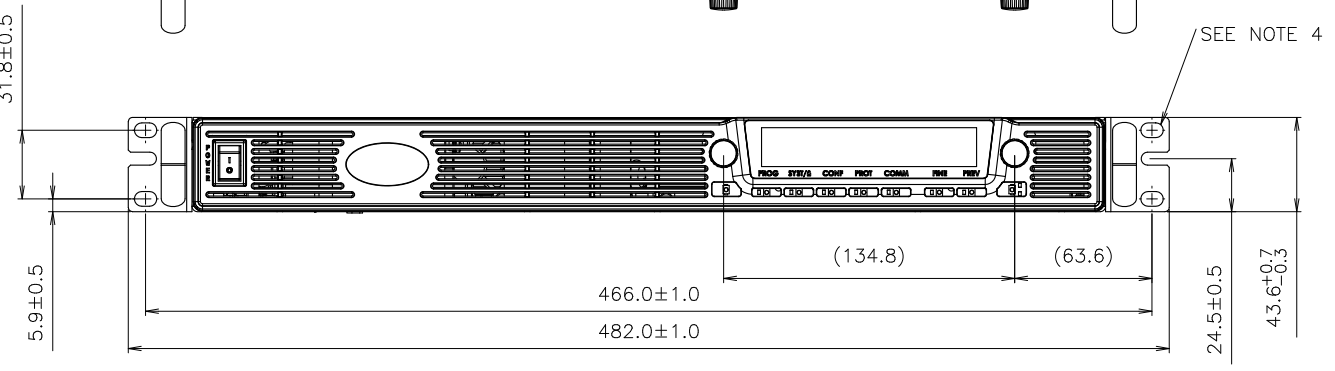
MODEL	10V	20V~100V
BUS BARS DIMENSION	L1	L2



TOLERANCES/±

L ≤ 16.0mm	0.1
16.0<L ≤ 63.0mm	0.2
63.0<L ≤ 250.0mm	0.3
250.0<L ≤ 1000.0mm	0.5
1000<L	0.8
ANGLE	±0.5°

- NOTE
1. MOUNTING HOLES FOR SLIDES P/N:CC3001-00-S160,GENERAL DEVICES OR EQUIVALENT. USE #10-32x0.38INCH x3 SCREWS FOR EACH SLIDE. ENSURE THAT THE SCREWS DO NOT PENETRATE MORE THAN 6.0mm INTO THE UNIT.
 2. AC INPUT RATING , SAFETY APPROVAL SYMBOLS AND EU REPRESENTATIVE LABEL ARE SHOWN HERE ACCORDING TO THE SPECIFICATIONS.
 3. MODEL NAME , OUTPUT RATING AND COMPANY LOGO ARE SHOWN HERE ACCORDING TO THE SPECIFICATIONS.
 4. MOUNTING HOLES FOR 19" RACK, USE M6x16 SCREWS TO FIX THE UNIT TO THE RACK.



(unit : mm)

MODEL NAME	GEN+ LV 1000W
TDK-Lambda	
IA881-02-01	