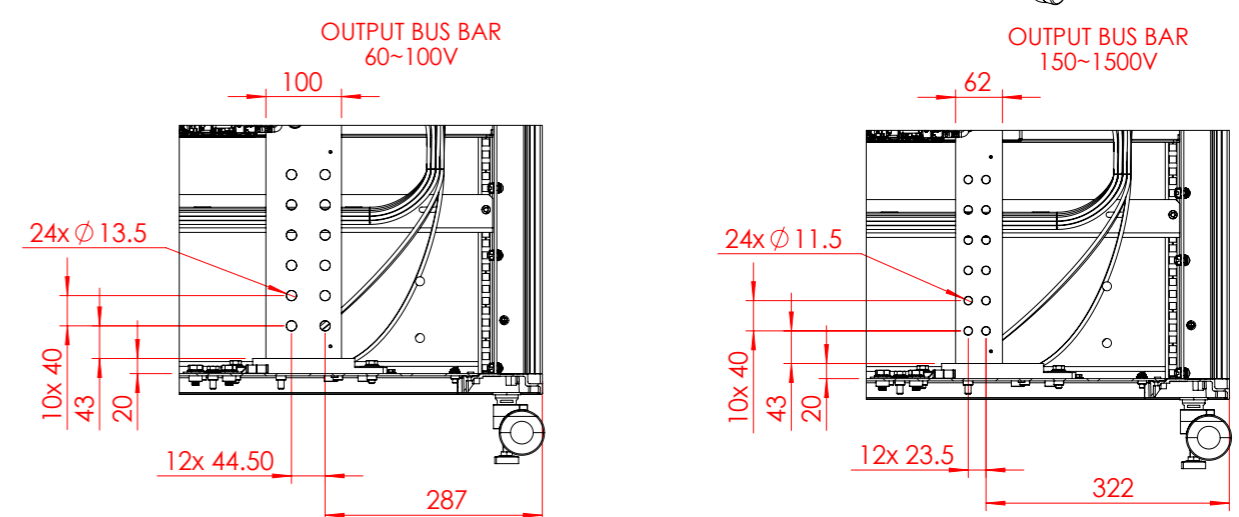
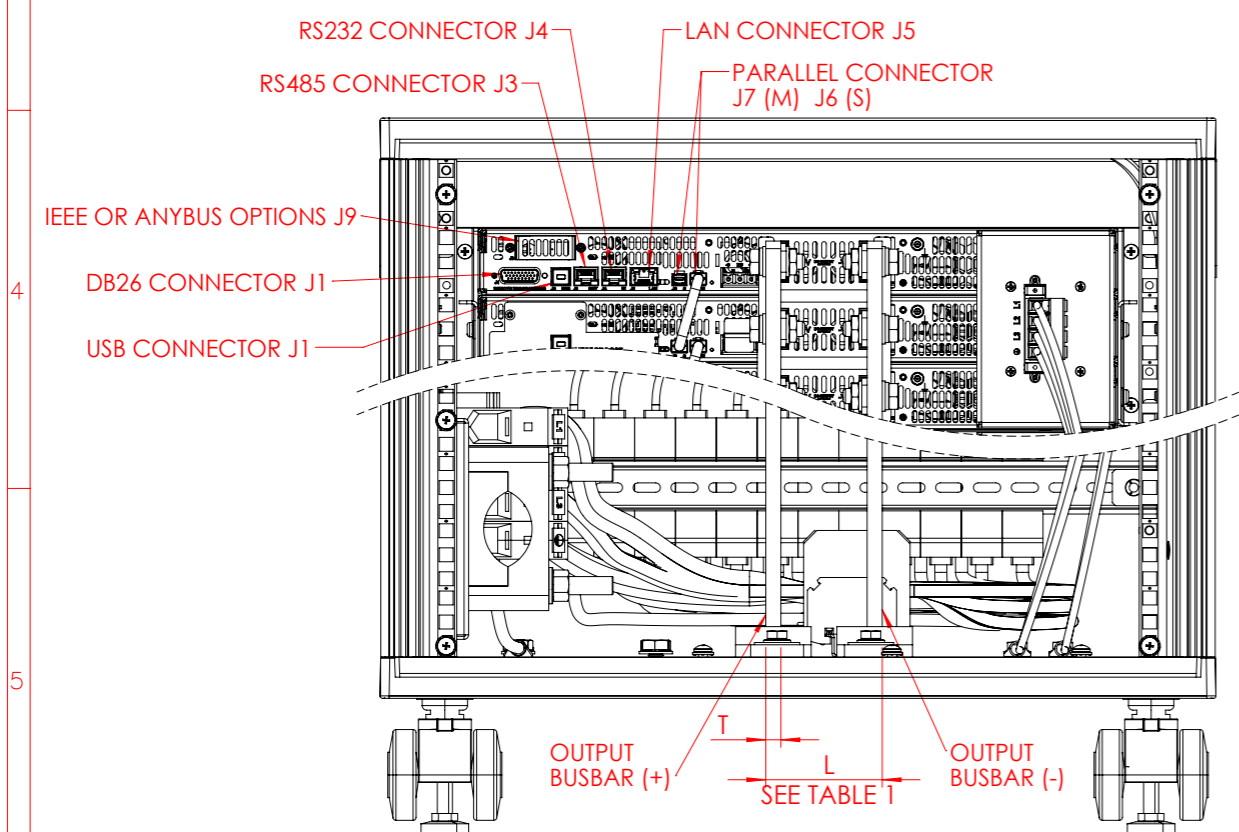
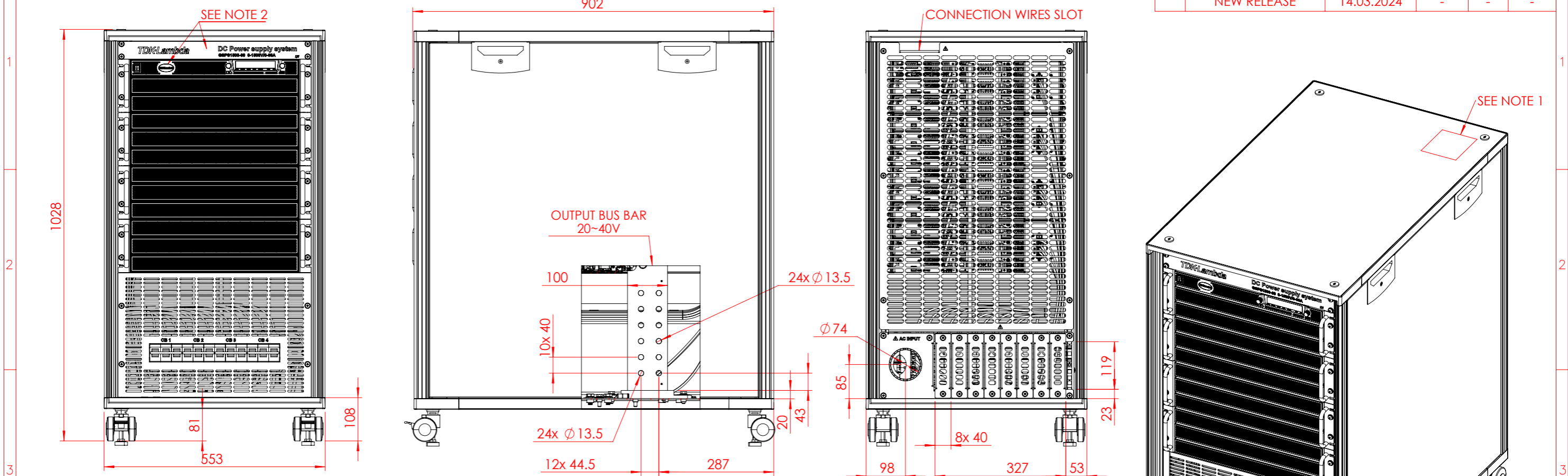


ROHS COMPLIANCE

D	CONTENTS	DATE	ENGR	CHK	APPD
	NEW RELEASE	14.03.2024	-	-	-



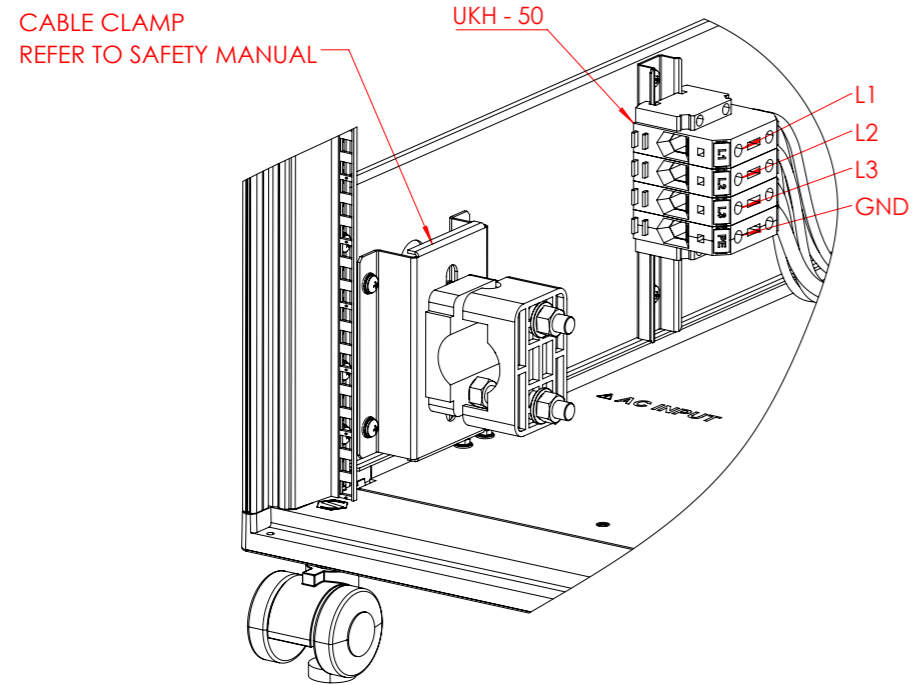
NOTE:
 1. AC INPUT RATING, SAFETY APPROVAL SYMBOLS AND REPRESENTATIVE ADDRESS ARE SHOWN HERE ACCORDING TO THE SPECIFICATION.
 2. MODEL NAME, OUTPUT RATING AND COMPANY LOGO ARE SHOWN HERE ACCORDING TO THE SPECIFICATION.

BUSBAR VOLTAGE	THICKNESS (T)	L
20~40V	10mm	77mm
60~100V	5mm	67mm
150~1500V	5mm	67mm

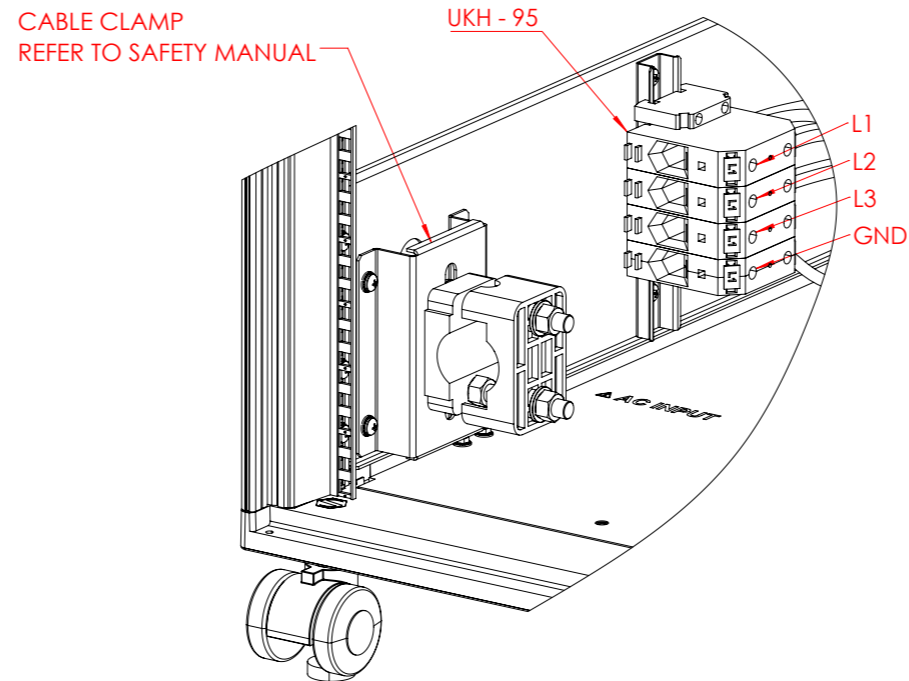
APPD	S.MIKI	SHEET OF	1	3	MATERIALS	TITLE	GPS 90KW OUTLINE DRAWING
CHK	B.MICHAEL	SCALE	NONE		FINISH	DRAWING No.	
ENGR	A.Hamze	UNITS	mm			3RD ANGLE PROJECTION	

ROHS COMPLIANCE

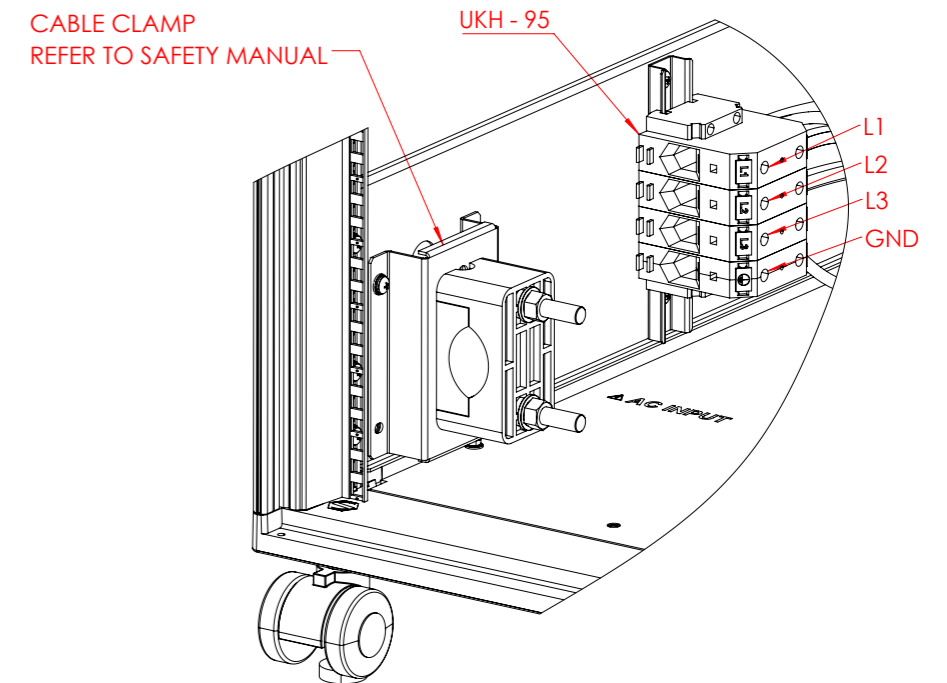
**INPUT CONNECTION FOR
45KW 3P480 SYSTEM**



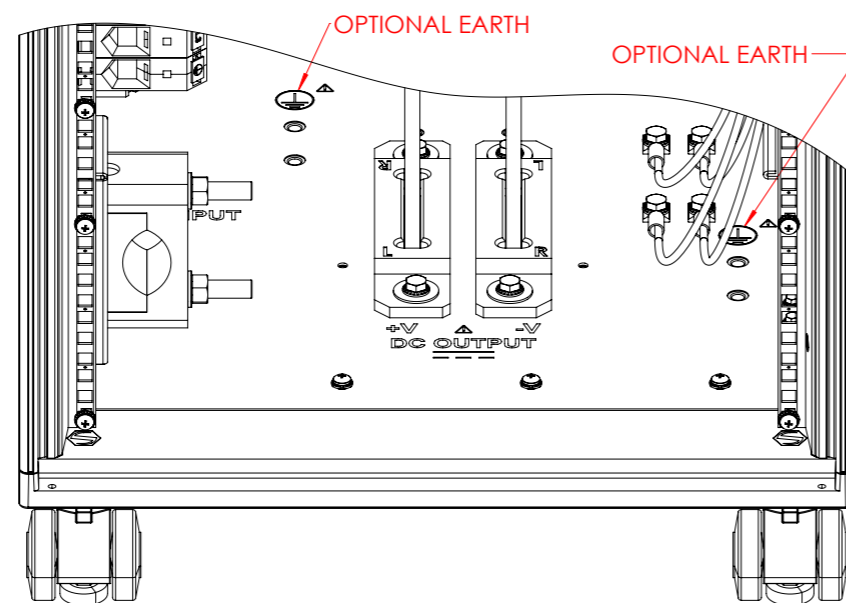
**INPUT CONNECTION FOR
67.5KW 3P480 SYSTEM**





**INPUT CONNECTION FOR
90KW 3P480 SYSTEM**



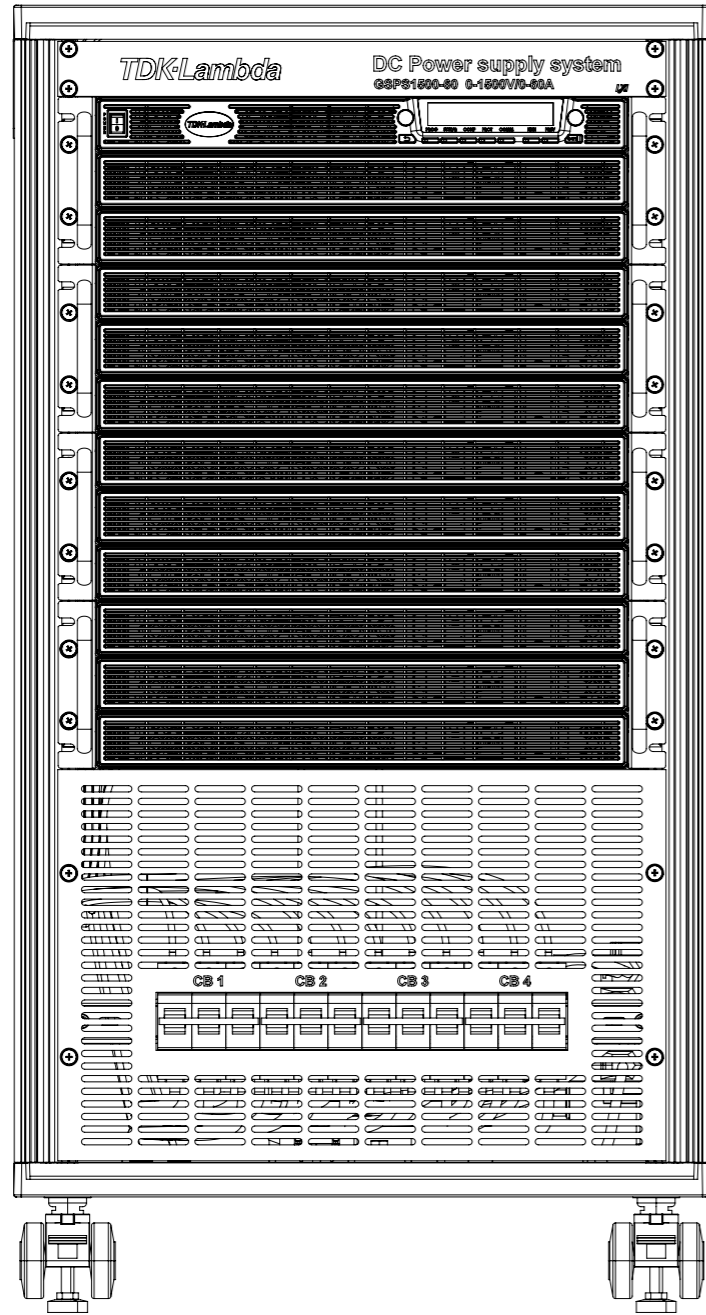
OPTIONAL EARTH (GROUND) FOR THE SYSTEM



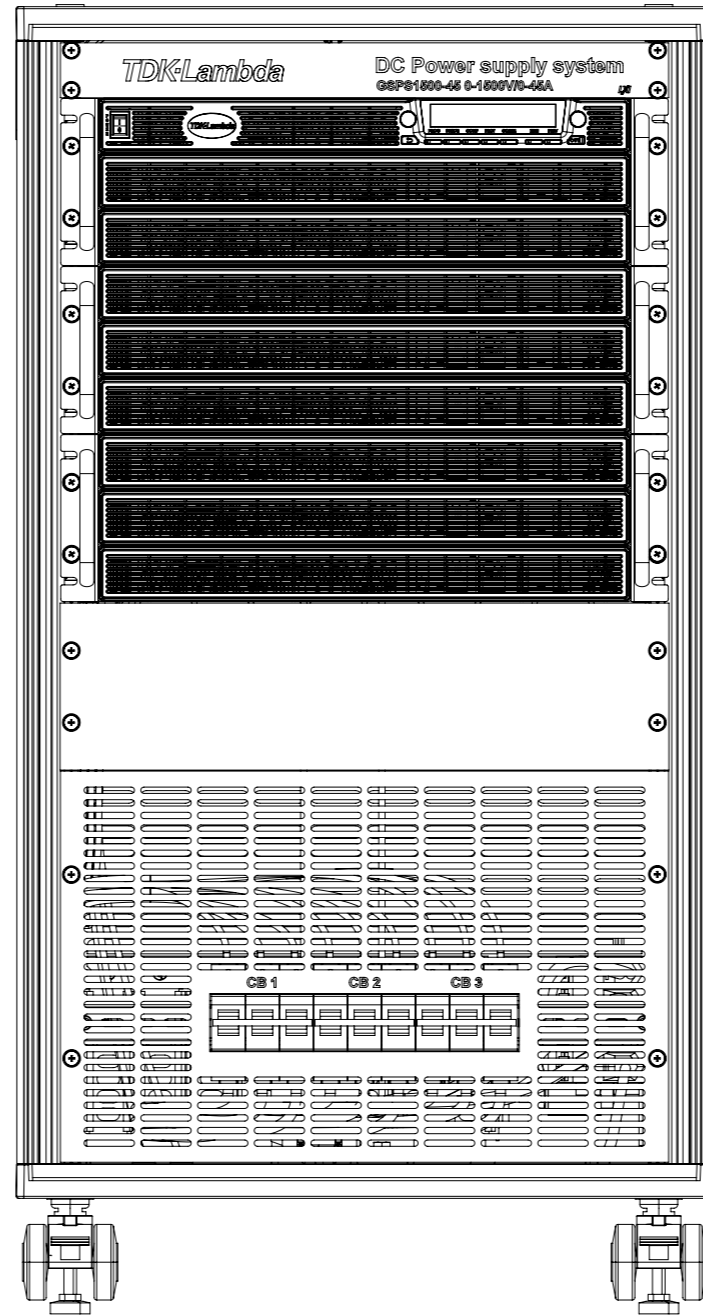
APPD	S.MIKI	SHEET	OF	MATERIALS	TITLE	DRAWING No.	GSPS 90KW OUTLINE DRAWING IA1038-02-01
CHK	B.MICHAEL	2	3				
ENGR	A.Hamze	SCALE	NONE	FINISH			
		UNITS	mm				
				TDK-Lambda			

ROHS COMPLIANCE

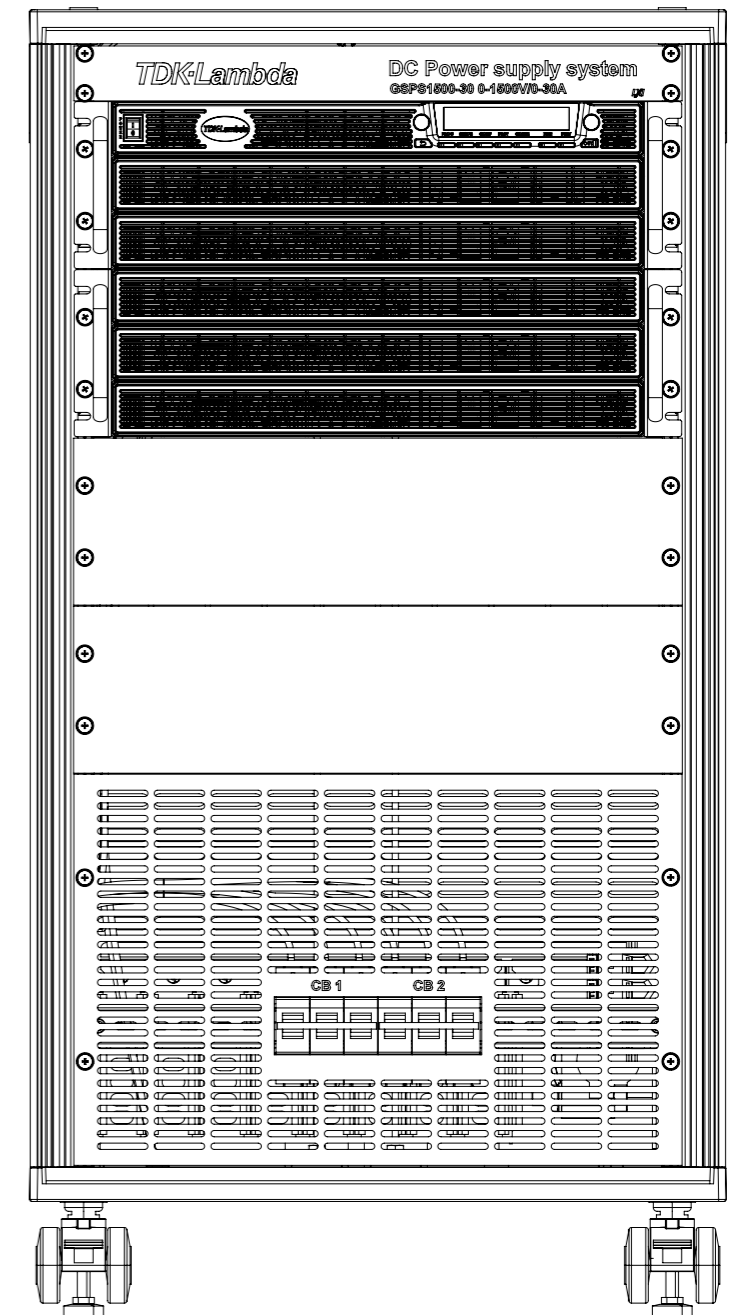
90KW 3P480



67.5KW 3P480



45KW 3P480



APPD	S.MIKI	SHEET	OF	MATERIALS	TITLE	GSPS 90KW OUTLINE DRAWING
		3	3			
CHK	B.MICHAEL	SCALE	NONE	FINISH	DRAWING No.	IA1038-02-01
		UNITS	mm			
ENGR	A.Hamze	 3RD ANGLE PROJECTION				 TDK-Lambda