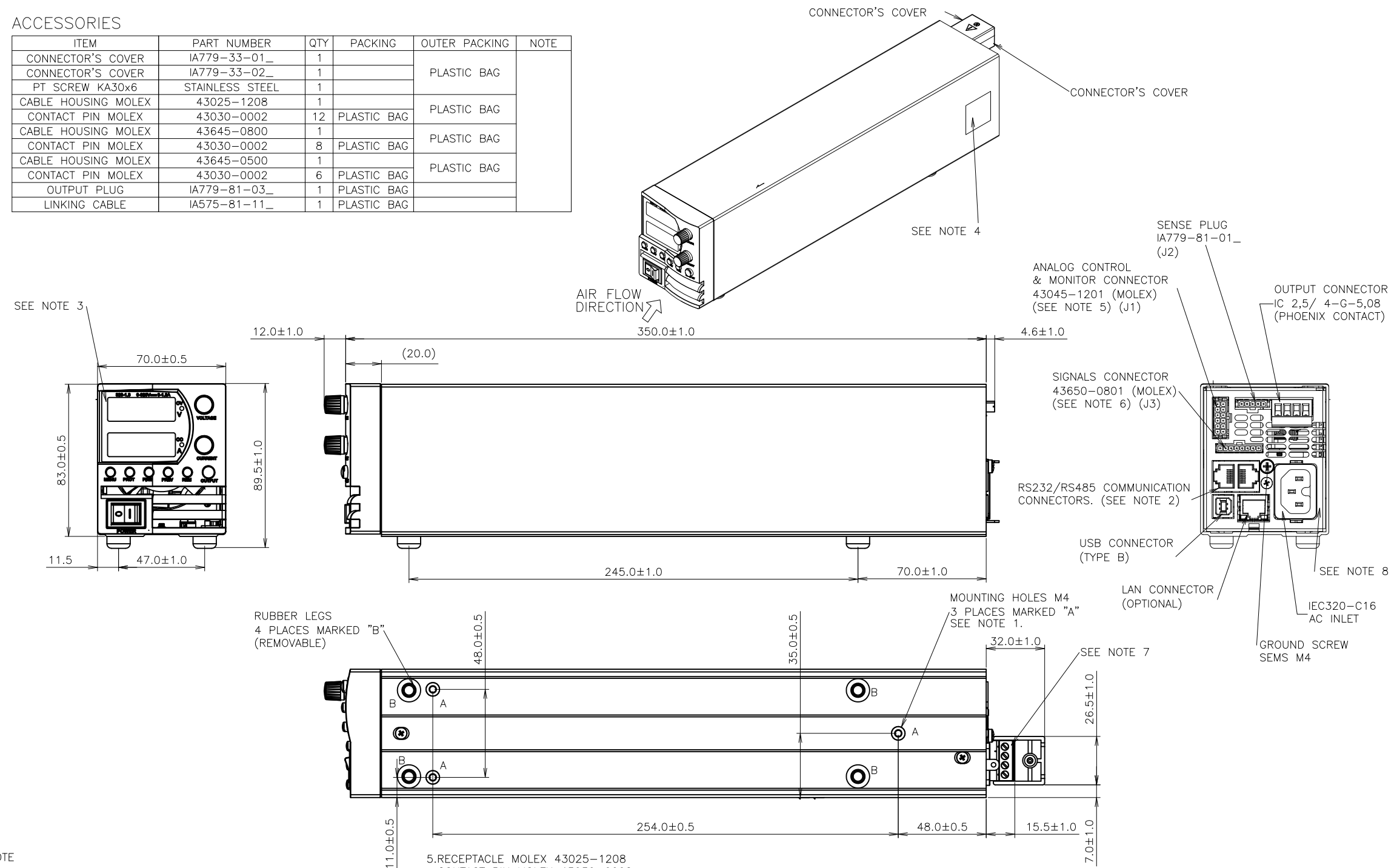


ACCESSORIES

ITEM	PART NUMBER	QTY	PACKING	OUTER PACKING	NOTE
CONNECTOR'S COVER	IA779-33-01_	1		PLASTIC BAG	
CONNECTOR'S COVER	IA779-33-02_	1			
PT SCREW KA30x6	STAINLESS STEEL	1			
CABLE HOUSING MOLEX	43025-1208	1		PLASTIC BAG	
CONTACT PIN MOLEX	43030-0002	12	PLASTIC BAG		
CABLE HOUSING MOLEX	43645-0800	1		PLASTIC BAG	
CONTACT PIN MOLEX	43030-0002	8	PLASTIC BAG		
CABLE HOUSING MOLEX	43645-0500	1		PLASTIC BAG	
CONTACT PIN MOLEX	43030-0002	6	PLASTIC BAG		
OUTPUT PLUG	IA779-81-03_	1	PLASTIC BAG		
LINKING CABLE	IA575-81-11_	1	PLASTIC BAG		



NOTE

- 1.MOUNTING SCREWS MUST NOT PROTRUDE INTO THE POWER SUPPLY MORE THAN 6.0mm
TIGHTENING TORQUE MUST BE MAX. 0.58 Nm
- 2.RS232/RS485 COMMUNICATION RJ-45, SHIELDED,8 CONTACTS CONNECTORS.
- 3.MODEL NAME AND OUTPUT RATING SHOWN HERE ACCORDING TO THE SPECIFICATION.
- 4.AC INPUT RATING, SAFETY APPROVAL AND EU LABEL

- 5.RECEPTACLE MOLEX 43025-1208
CONTACT PIN MOLEX 43030-0002
HAND TOOL: 63819-0000 WIRE AWG: 20~24.
- 6.RECEPTACLE MOLEX 43645-0800
CONTACT PIN MOLEX 43030-0002
HAND TOOL: 63819-0000 WIRE AWG: 20~24.
- 7.RECEPTACLE PHOENIX CONTACT IC 2,5/ 4-ST-5,08
WIRE AWG: 16~24. (OUTPUT PLUG IA779-81-03_)
- 8.INPUT VOLTAGE AND CURRENT RATING ARE SHOWN HERE ACCORDING TO THE SPECIFICATION.

(unit : mm)

MODEL NAME	Z+H.V. SERIES
TDK-Lambda	
IA779-02-01C	