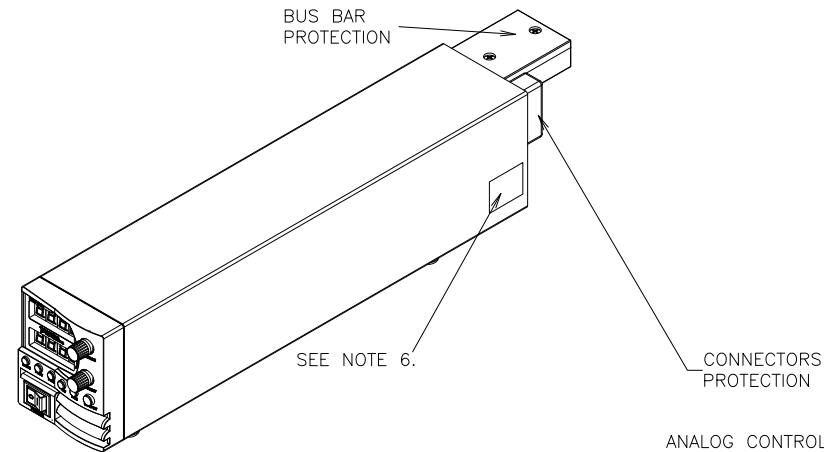
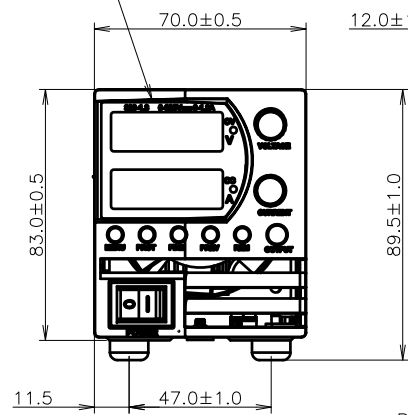


ACCESSORIES

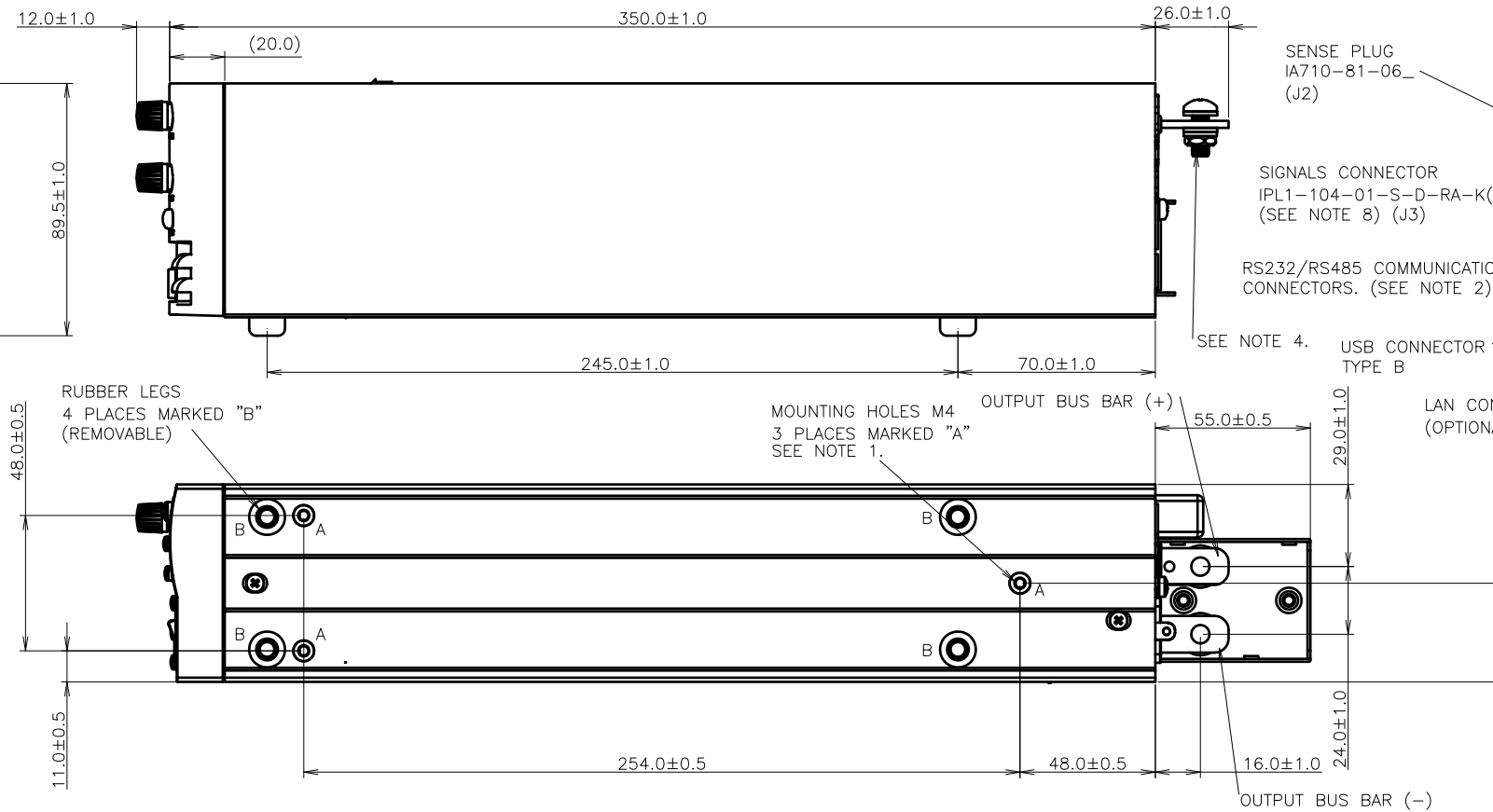
ITEM	PART NUMBER	QTY	PACKING	OUTER PACKING	NOTE
PAN HEAD SCREW M6x16	DIN7985A St.St.	2	PLASTIC BAG		
HEXAGONAL NUT M6	DIN439B St.St.	2			
SPRING WASHER M6	DIN7980 St.St.	2			
FLAT WASHER M6	DIN125A St.St.	4			
BUS BAR PROTECTION	IA702-33-16_	1		PLASTIC BAG	
BUS BAR PROTECTION	IA702-33-17_	1			
PT SCREW KA40x8	STAINLESS STEEL	2	PLASTIC BAG	PLASTIC BAG	
CONNECTORS PROTECTION	IA702-33-04_	1			
CABLE HOUSING SAMTEC	IPD1-06-D-K	1		PLASTIC BAG	
CONTACT PINS SAMTEC	CC79R-2024-01-L	12	PLASTIC BAG	PLASTIC BAG	
CABLE HOUSING SAMTEC	IPD1-02-D-K	1		PLASTIC BAG	
CONTACT PINS SAMTEC	CC79R-2024-01-L	6	PLASTIC BAG	PLASTIC BAG	
CABLE HOUSING SAMTEC	IPD1-04-D-K	1		PLASTIC BAG	
CONTACT PINS SAMTEC	CC79R-2024-01-L	8	PLASTIC BAG	PLASTIC BAG	
LINKING CABLE	IA575-81-11_	1	PLASTIC BAG		



SEE NOTE 3.



AIR FLOW DIRECTION



NOTE

1. MOUNTING SCREWS MUST NOT PROTRUDE INTO THE POWER SUPPLY MORE THAN 6.0 mm.
TIGHTENING TORQUE MUST BE MAX. 0.58 Nm
2. RS232/RS485 COMMUNICATION RJ-45, SHIELDED, 8 CONTACTS CONNECTORS.
3. MODEL NAME AND OUTPUT RATING SHOWN HERE ACCORDING TO THE SPECIFICATION.
4. M6 OR 1/4 " SCREWS FOR LOAD WIRES CONNECTION.
5. INPUT VOLTAGE AND CURRENT RATING ARE SHOWN HERE ACCORDING TO THE SPECIFICATION.
6. AC INPUT RATING, SAFETY APPROVAL AND EU LABEL.

7. RECEPTACLE SAMTEC P/N IPD1-06-D-K
CONTACT PIN SAMTEC CC79R-2024-01-L
HAND TOOL: CAT-HT-179-2024-11 WIRE AWG 20-24.
8. RECEPTACLE SAMTEC P/N IPD1-04-D-K
CONTACT PIN SAMTEC CC79R-2024-01-L
HAND TOOL: CAT-HT-179-2024-11 WIRE AWG 20-24.

(unit : mm)

MODEL NAME	Z+ SERIES
TDK-Lambda	
IA702-02-01H	