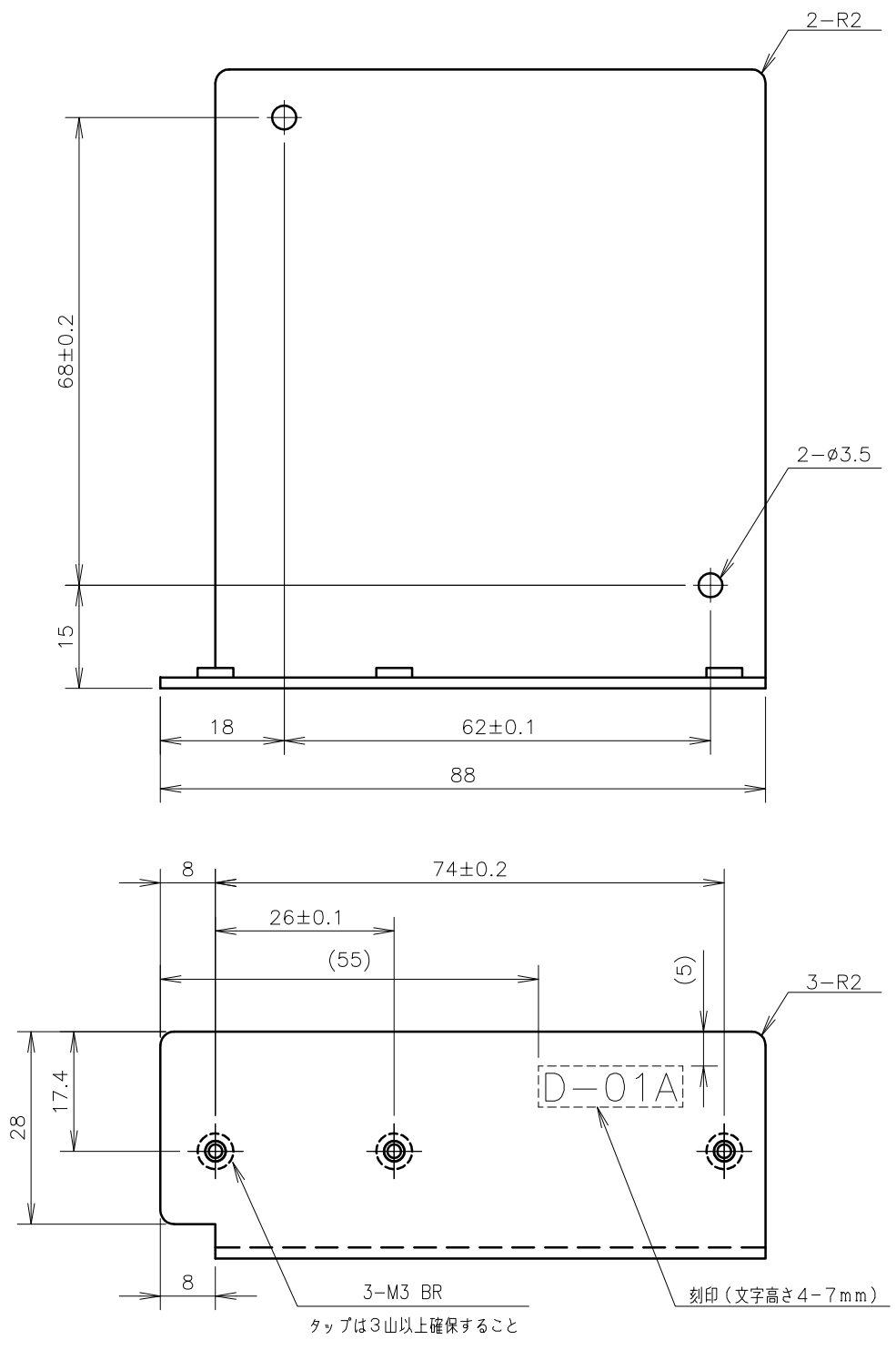
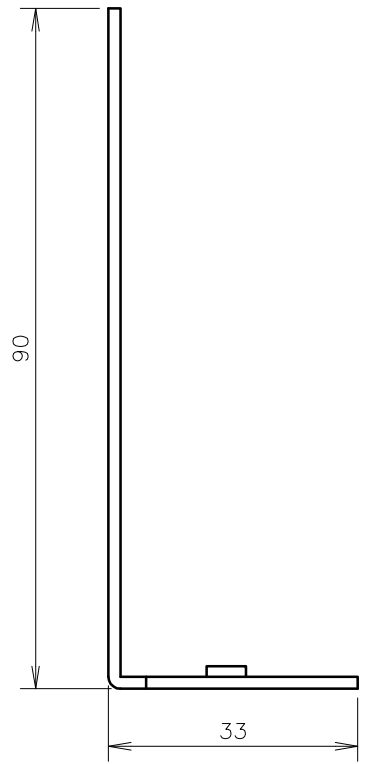


パンチング方向
→



SCALE	1 / 1	MATERIALS	EWS15, HK10-15A, HWS15, HWS15A
UNITS	mm	SPCC-SD t=1.6	互換ブラケット D-01A
ANGLE	3RD ANGLE PROJECTION	FINISH	DRAWING No. 8000-3-801 - A PAGE 1/1
		Ep-Fe/Ni[2] b	TDK-Lambda